

REV.	REVISION RECORD	DATE		GENERAL TOLERANCES		SCALE: 1:1	NAME	DATE	PART. NO:	DWG. NO:	 <b>TERMINAL&amp;CONNECTORS</b>
A0	NEW RELEASE	2020.07.22			LINEAR	ANGLES <sub>p3</sub>	APPROVED			PCIe/SAS Vertical SMT Rec	
			UNIT: MM	0.00±0.15	X° REF±6°	DESIGNER			TITLE:		
			SIZE: A4	0.000±0.08	X° X'±2°	DRAWN	Wang_jr	2021.01.12	80802W00-2X68PA-SF-003		
									REV: A0	SHEET: 1/2	

1 2 3 4 5 6 7 8

A

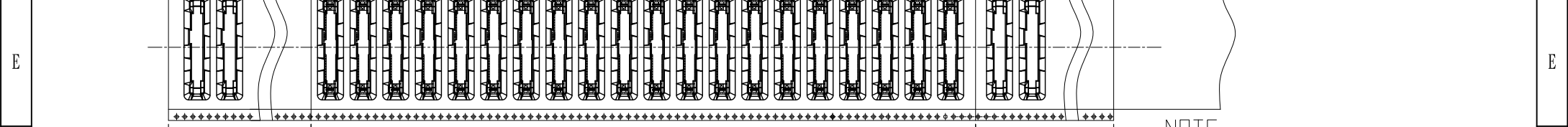


B

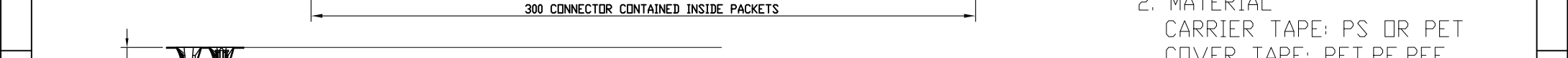


C

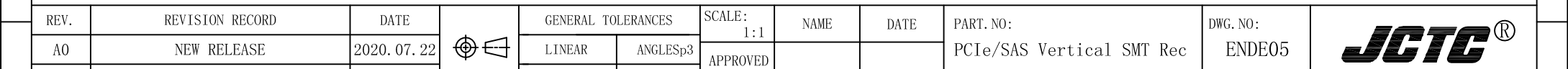
D



E

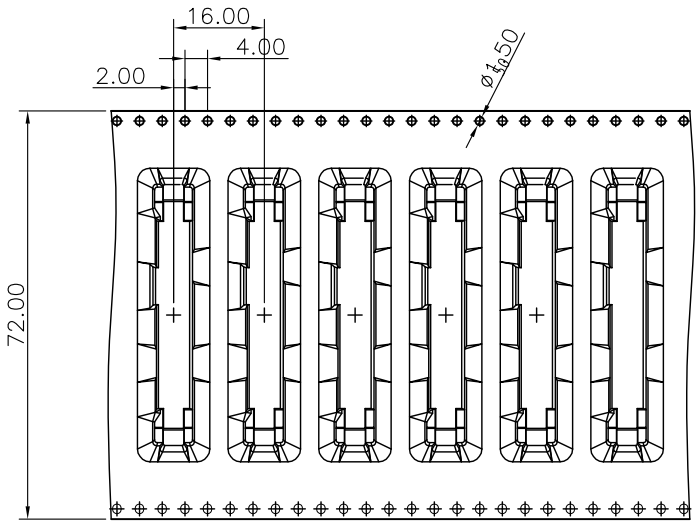


F



G

H



DETAIL A  
SCALE 2:1

- NOTE
1. NUMBER OF CONN: 300PCS/REEL  
PACKING Q'TY: 1200PCS/CARTON
  2. MATERIAL  
CARRIER TAPE: PS OR PET  
COVER TAPE: PET,PE,PEF  
REEL: PS
  3. GENERAL TOLERANCES:±0.2
  4. HALOGEN FREE

REV.	REVISION RECORD	DATE		GENERAL TOLERANCES		SCALE: 1:1	NAME	DATE	PART. NO:	DWG. NO:	 TERMINAL&CONNECTORS
A0	NEW RELEASE	2020.07.22		LINEAR	ANGLES <sub>p3</sub>	APPROVED			PCIE/SAS Vertical SMT Rec	ENDE05	
			0.00±0.25	X° REF±6°	DESIGNER			TITLE:			
			UNIT: MM	0.00±0.15	X° ±3°	DRAWN	Wang_jr	2021.01.12	80802W00-2X68PA-SF-003		
			SIZE: A4	0.000±0.08	X° X'±2°					REV: A0	SHEET: 2/2

1 2 3 4 5 6 7 8