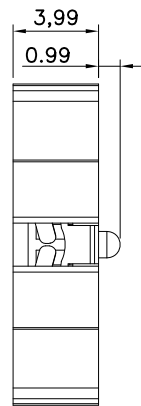
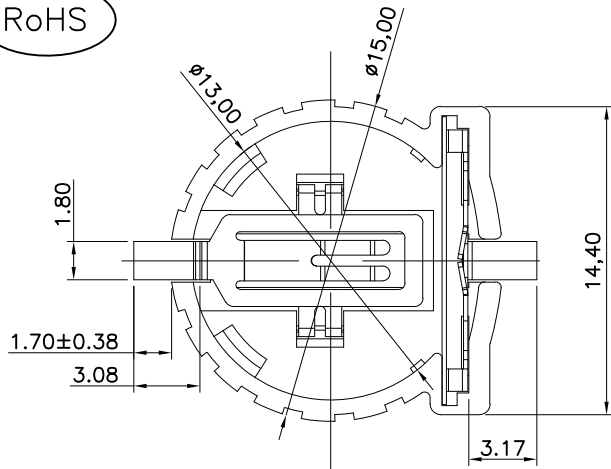


The product using material and processing must conform to the "WL-PZ-001"HSF technical standard control requirements

RoHS



NOTE:

- 1.MATERIAL SPECIFICATION:
 - 1-1.HOUSING: PPS,UL94V-0
 - 1-2.CONTACTS: C5191
- 2.PLATING SPECIFICATION:
 - 2-1.CONTACTS: TIN/GOLD PLATED OVER ALL.
- 3.ELECTRICAL PERFORMANCE:
 - 3-1.CONTACT RESISTANCE: 30 mΩ MAX
 - 3-2.INSULATION RESISTANCE: 1000MΩ Min
 - 3-3.DIELECTRIC WITHSTANDING : 500V
- 4.ENVIRONMENTAL PERFORMANCE:
 - 4-1.OPERATING TEMPERATURE: -30°C~+70°C.
- 5.PACKAGE SPEC: REEL
- 6.P/N:

WL BT F 0-02 2 A B 0 001

CONNECTOR:
BT-BATTERY HOLDER

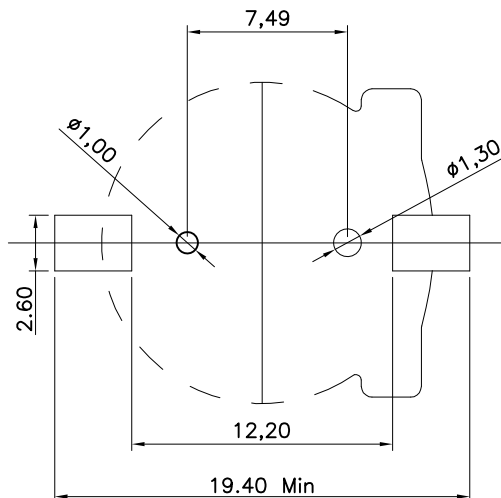
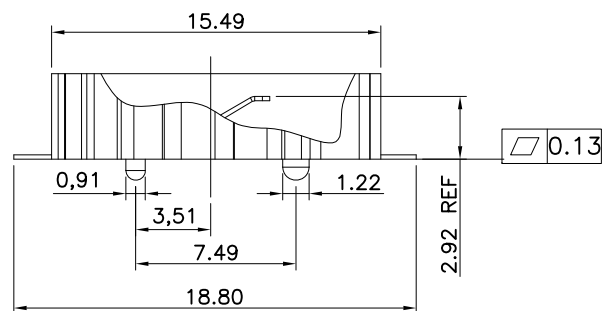
COLOR:
B:BROWN

MALE FEMALE:
F-FEMALE

PLATING:
A-ALL AU G/F

ANGLE:
0-180°

TERMIPOINT:
2-SMT
PIN Q'PY:
02-02PIN

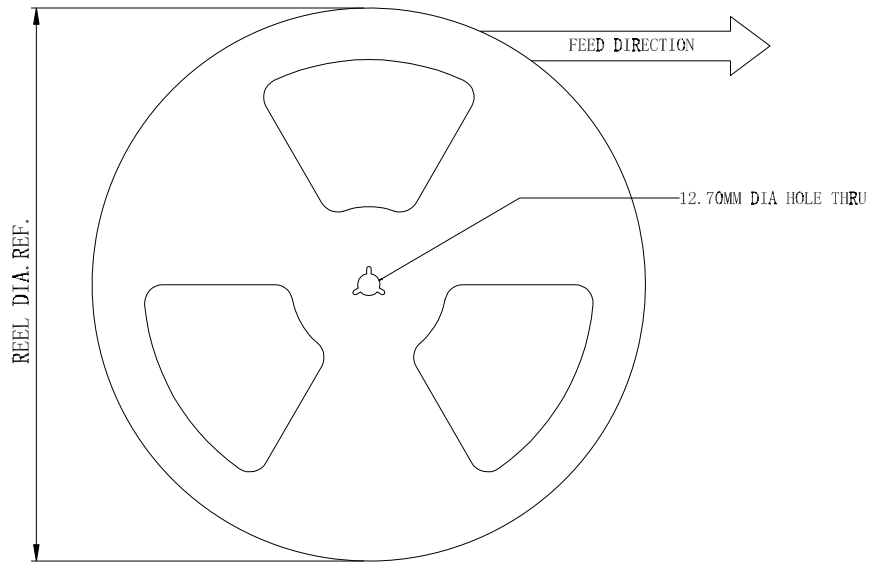
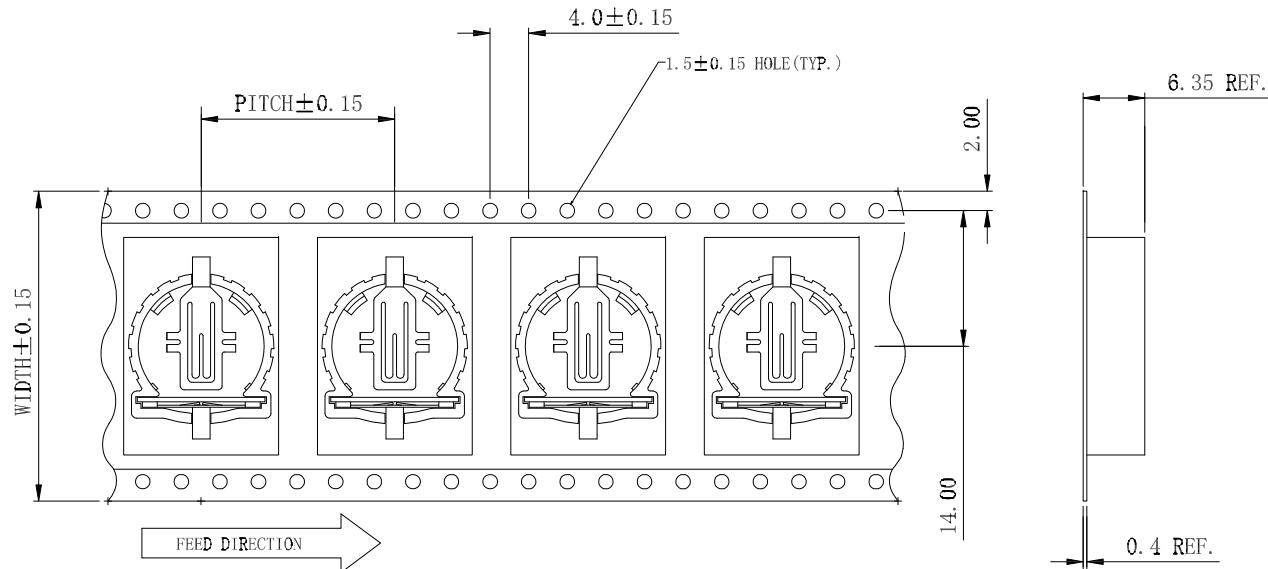


PCB LAYOUT(TOP VIEW)

REV.	REVISION RECORD	DATE	GENERAL TOLERANCES		SCALE:	NAME	DATE	PART.NO:	DWG.NO:	 WanLian Teconology Co., Ltd
A0	NEW RELEASE	21.11.17	LINEAR	ANGLES	1:1	Wang_jr	21.11.17	WLBTFO-022AB0001	ENDE05	
			0.0±0.35	X°REF±6°	APPROVED	Han_Gao	21.11.17	TITLE: Coin Cell Holders FOR CR1220		REV: A0 SHEET: 1/2
			0.00±0.25	X°±3°	DESIGNER	Zijun_Huang	21.11.17			
			UNIT:mm	0.000±0.10	DRAWN					

The product using material and processing must conform to the "WL-PZ-001"HSF technical standard control requirements

RoHS



NOTE:
 TAPE AND REEL SPECIFICATIONS:
 1. TAPE:
 MAT' L-ALL CONDUCTINE POLYSTYRENE CARRIER ANSI/EIA-481 STANDARD 32.0 WIDE;20.0 PITCH
 2. REEL:
 330.2 DIA, 500PIECSE

REV.	REVISION RECORD	DATE		GENERAL TOLERANCES		SCALE: 1:1	NAME	DATE	PART.NO:	DWG.NO:		
A0	NEW RELEASE	21.11.17		LINEAR	ANGLES	APPROVED	Wang_jr	21.11.17	WLBTF0-022AB0001	ENDE05		
			UNIT:mm	0.00±0.25	X°±3°	DESIGNER	Han_Gao	21.11.17	TITLE:		REV: A0	SHEET: 2/2
			SIZE: A4	0.000±0.10	X°X' ±2°	DRAWN	Zijun_Huang	21.11.17	PACKAGE SPEC of Coin Cell Holders FOR CR1220			