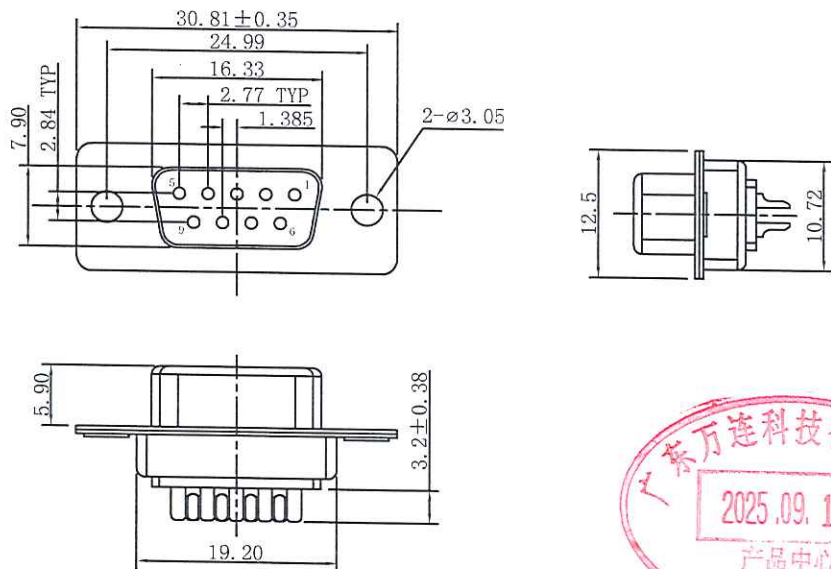


The product using material and processing must conform to the "WL-PZ-001"HSF technical standard control requirements

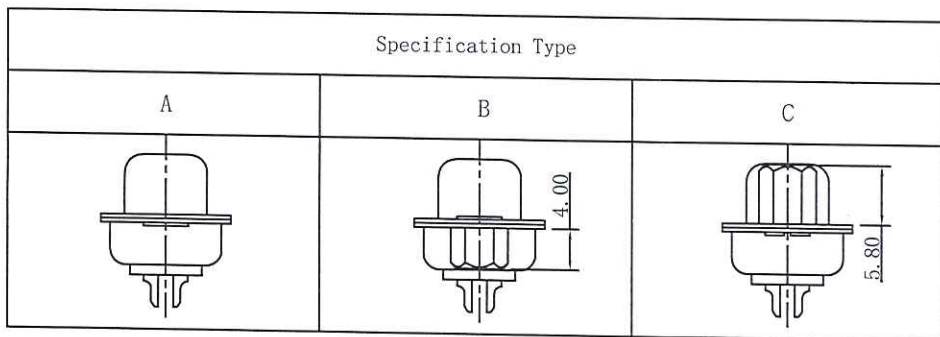
RoHS



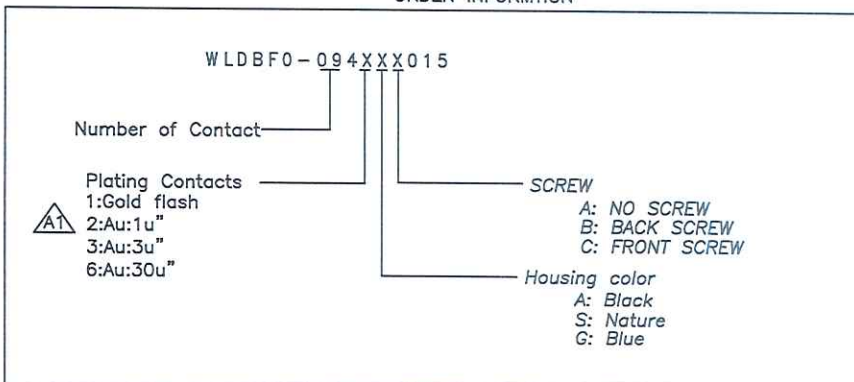
- NOTE
- 1.MATERIAL:
 - 1.1 INSULATOR: PBT+30% GLASS FIBER UL94V-0
COLOR:BLACK
 - 1.2 TERMINAL: COPPER ALLOY BRASS T=0.20±0.02mm
GOLD FLASH ON CONTACT AREA AND TIN 80U" ON SOLDER
TAIL; NICKEL:30U" ON THE BASE
 - 1.3 SHELL: FRONT SHELL:SPCC-SD T=0.40±0.02mm
PLATING:Cu50u"/Ni50u" ;
REAR SHELL:SPCC-SD T=0.40±0.02mm
PLATING:Cu50u"/Tin80u"
 - 1.4 SCREW: COPPER ALLOY, PLATING: NICKEL
 - 2.ELECTRICAL:
 - 2.1 INSULATOR RESISTANCE: 1000MEGOHMS MIN AT 500V DC.
 - 2.2 DIELECTRIC WITHSTANDING VOLTAGE: 500V AC R.M.S
 - 2.3 VOLTAGE TATING: 40V AC (RMS) CONTINUOUS MAX.
 - 2.4 CURRENT RATING: 3A.
 - 2.5 CONTGACT RESISTANCE: 30 MILLIOHMS MAX.
 - 3.MECHANICAL
 - 3.1 INSERTION/EXTRACTION FORCE PER CONTACT: 3.0Kgf Max
0.3Kgf Min.
 - 4.ENVIRONMENTAL
 - 4-1 TEMPERATURE RANGE:-55°C TO + 105°C.
 - 4-2 SALT SPRAY: PLATING GOLD/PLATING NICKEL 36H;
OTHER PART: 12H .



Specification Type



ORDER INFORMATION



REV.	REVISION RECORD	DATE		GENERAL TOLERANCES		SCALE:	NAME	DATE	PART.NO:	DWG.NO:	
A0	NEW RELEASE	21.01.13		LINEAR	ANGLES	1:1					
A1	Add Material /Salt/ Plating Contacts		UNIT:mm	0.00±0.25	X'REF±6'	APPROVED	<i>Wang J</i>	2025.9.12	WLDBF0-094XXX015	ENDE05	WanLian Technology Co., Ltd REV: A1 SHEET: 1/1
			SIZE: A4	0.000±0.10	X'X' ±2'	DESIGNER	<i>Ding Bo</i>	25.9.12	TITLE:	DB 9F SOLDERING	
						DRAWN	Hou-lanxuan	21.03.11			