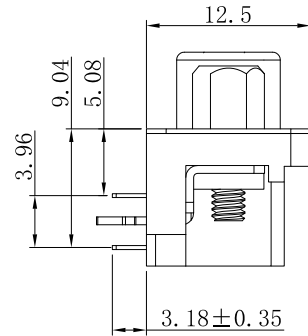
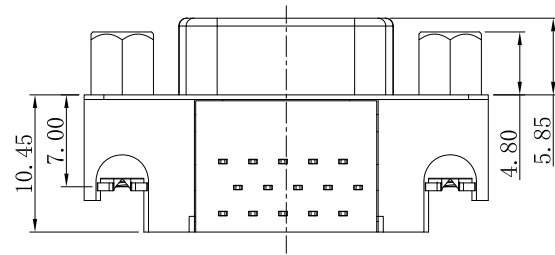
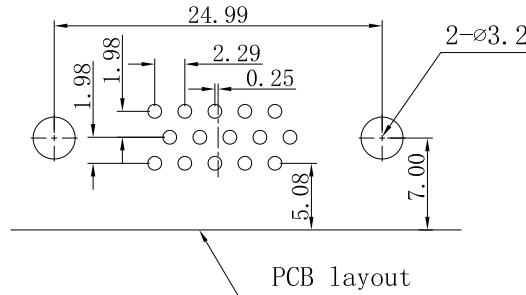
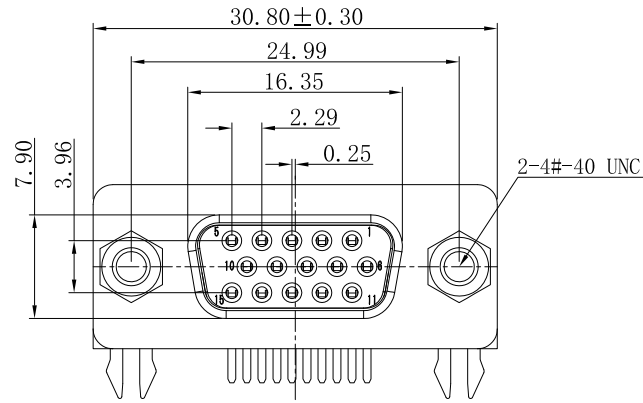


The product using material and processing must conform to the "WI-PZ-142"HSF technical standard control requirements

RoHS



REMARK/注释:

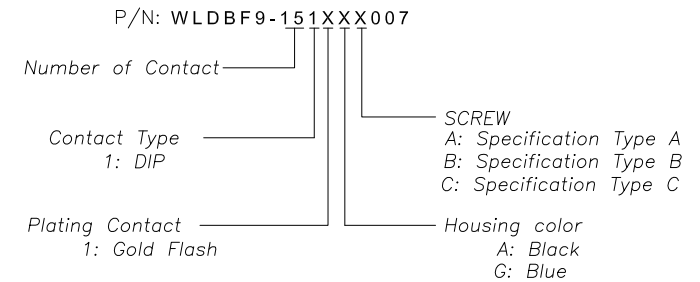
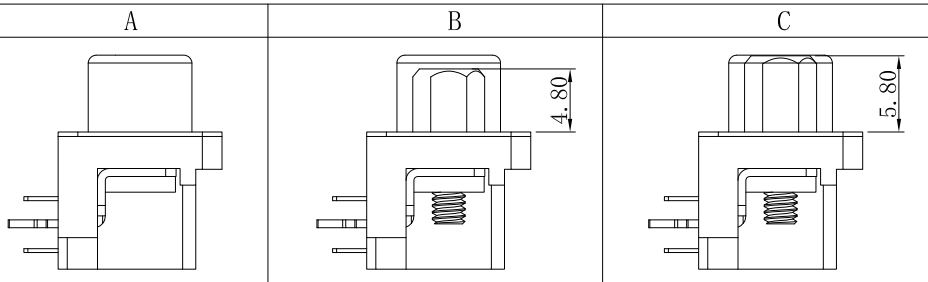
1. CHARACTERISTICS/特性:

- 1.1、RATED VOLTAGE: 250V
额定电压: 250伏特
- 1.2、RATED CURRENT: 3AMP
额定电流: 3安培
- 1.3、CONTACT RESISTANCE: 35mohms MAX. INITIAL
40mohms MAX. AFTER
接触阻抗: 初始 35mohms 最大
最终 40mohms 最大
- 1.4、INSULATION RESISTANCE: 1000Mohms MIN. at 500V DC
绝缘阻抗: 1000兆欧 最小, 在500伏直流电下
- 1.5、DIELECTRIC STRENGTH: 500VRMS
耐电压: 500伏特
- 1.6、OPERATING TEMPERATURE RANGE: -55°C~105°C
工作温度: -55°C~105°C
- 1.7、INSERT / PULL OUT EACH CONTACT: 4.54Kg Max./0.33Kg Min.
每次接触插入/拔出力: 4.54公斤 最大/0.33公斤 最小
- 1.7、MATING/UNMATING CYCLES: 50MATINGS MIN FOR GOLD-FLASH
200MATINGS MIN FOR 10u" GOLD.
耐插拔: 镀G/F为50次
镀金10u"为200次

2. 材质:

- 2.1、胶芯: PBT+30% G. F (UL94V-0) 蓝色
- 2.2、端子: 镍底50u" Min. 焊接部镀亮锡80u" Min. 接触点镀金.
- 2.3、铁壳: SPCC, 前壳镀铜底50U' 镍80u"Min.
- 2.4、Z 片: SPCC、铜底50U"镀锡80U"Min.
- 2.5、螺丝: SPCC、铜底50U"镀镍50U"Min

Specification Type (1:1)



REV.	REVISION RECORD	DATE		GENERAL TOLERANCES		SCALE: 1:1	NAME	DATE	PART.NO:	DWG.NO:	 WanLian Technology
A0	NEW RELEASE	21.01.13		LINEAR	ANGLES	APPROVED	Wang_jr	21.01.13	WLDBF9-151XXX007	ENDE05	
			0.0±0.35	X°REF±6°	DESIGNER	Ding_bo	21.01.13	TITLE:			
			UNIT:mm	0.00±0.25	X°±3°	DRAWN	Ou_jian	21.01.13	HDR5.08 15F 90° DIP 铆锁 4.8螺丝	REV: A0	
			SIZE: A4	0.000±0.10	X°X' ±2°						