

The product using material and processing must conform to the "WI-PZ-142"HSF technical standard control requirements

RoHS

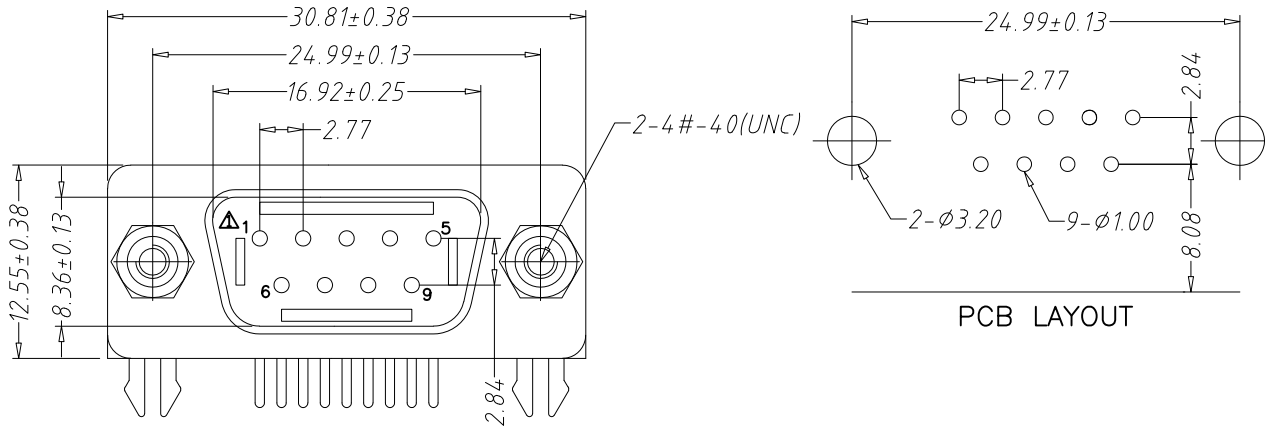
NOTE:

- 1.MATERIAL SPECIFICATION:
 1-1.HOUSING:PBT FIBER 30% (UL94V-0)
 1-2.CONTACTS:COPPER ALLOY
 1-3.SHELL: SPCC.
 1-4.RIVET:COPPER ALLOY
 1-5.SCREW: SPCC
 1-6.BOARD LOCK:SPCC
 2.PLATING SPECIFICATION:
 2-1.CONTACTS:
 NI 40U" MIN. UNDER PLATED OVER ALL.
 AU PLATED ON THE FUNCTIONAL AREA OF CONTACT.
 2-2. SHELL:
 NI 30U" MIN. UNDER PLATED OVER ALL.
 3.ELECTRICAL PERFORMANCE:
 3-1.CURRENT RATING:1.5A
 3-2.VOLTAGE RATING:AC 1000/60SES.R.M.S
 3-3.CONTACT RESISTANCE: 30mΩ MAX.
 3-4.INSULATION RESISTANCE: 1000MΩ MIN
 3-5.DIELECTRIC WITHSTANDING VOLTAGE: 500V AC MIN.
 3-6.OPERATING TEMPERATURE: -55°C~+105°C.
 4.MECHANICAL PERFORMANCE:
 4-1.INSERTION FORCE: 3KGF.
 4-2.REMOVAL FORCE: 0.3KGF.
 4-3.DURABILITY: 500 CYCLES.
 5.SALT:24H

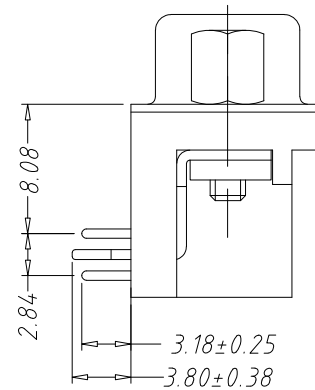
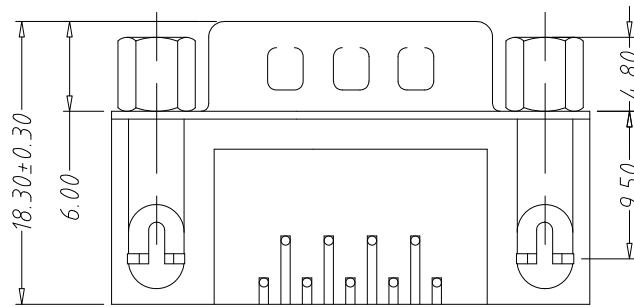
WLDBM9-09 1 X X 0091

PLATING: 1-G/F
 2-AU 3U"
 5-AU 15U"
 6-AU 30U"
 COLOUR:
 A-Black
 K-White

引脚序号	名称	作用
1	DCD (Data Carrier Detect)	数据载波检测
2	RxD (Received Data)	串口数据输入
3	TxD (Transmitted Data)	串口数据输出
4	DTR (Data Terminal Ready)	数据终端就绪
5	GND (Signal Ground)	地线
6	DSR (Data Send Ready)	数据发送就绪
7	RTS (Request to Send)	发送数据请求
8	CTS (Clear to Send)	清除发送
9	RI (Ring Indicator)	铃声指示



PCB LAYOUT



REV.	REVISION RECORD	DATE	UNIT:mm	GENERAL TOLERANCES		SCALE: 1:1	NAME	DATE	PART.NO: WLDBM9-091XX0091	DWG.NO: ENDE05	TITLE: DR 9P公头8.08	REV: A2	SHEET: 1/1
A0	NEW RELEASE	21.01.13		LINEAR	ANGLES	APPROVED							
A1	增加引脚序号及说明	24.6.24	0.00±0.25	0.0±0.35	X°REF±6°	DESIGNER	Wang_jr	21.01.13					
A2	增加盐雾及机械性能	24.7.01	0.00±0.25	0.00±0.10	X°±3°	DRAWN	Ding_bo	21.01.13					
			SIZE: A4	0.000±0.10	X°X' ±2°		Ou_jian	21.01.13					



WanLian Technology Co., Ltd