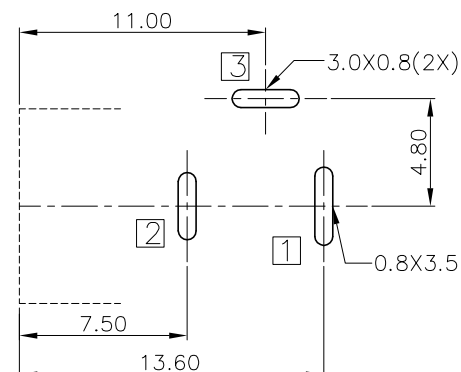
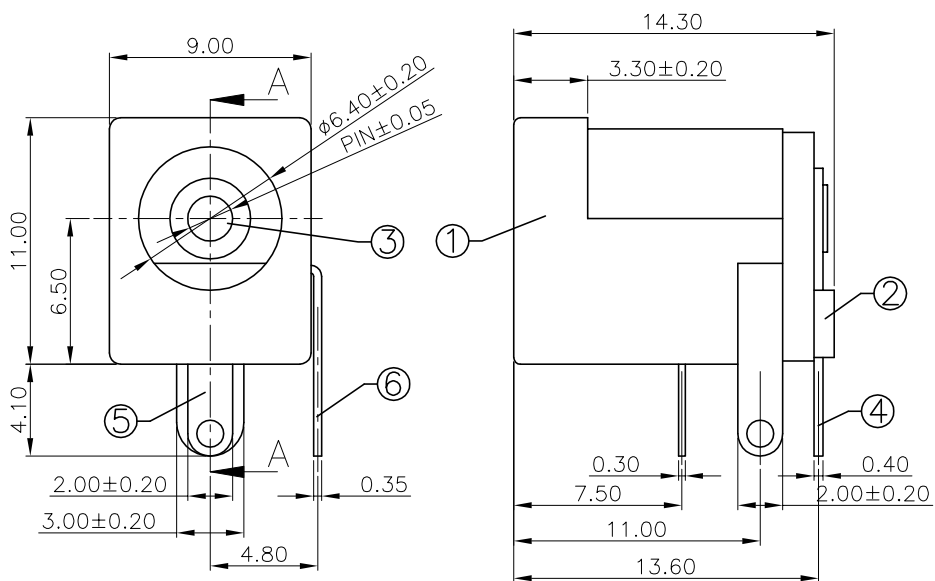


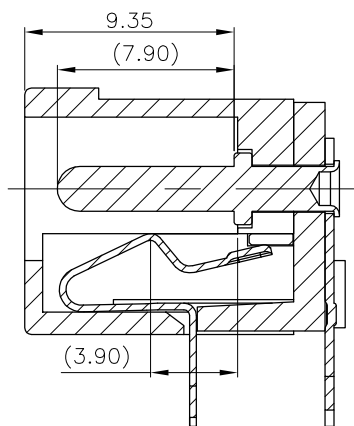
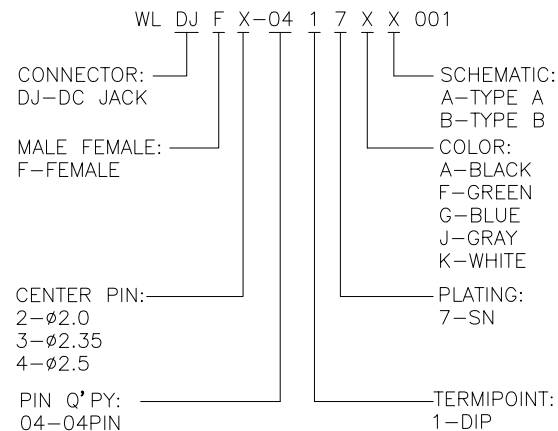
The product using material and processing must conform to the "WL-PZ-001"HSF technical standard control requirements

RoHS

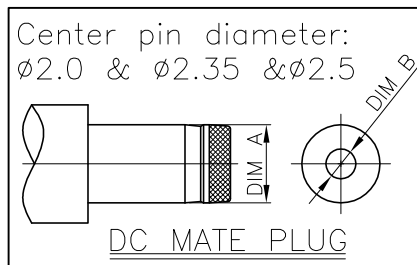


RECOMMENDED P.C.B. LAYOUT
UNSPECIFIED TOLERANCE:±0.05
(BOTTOM VIEW)

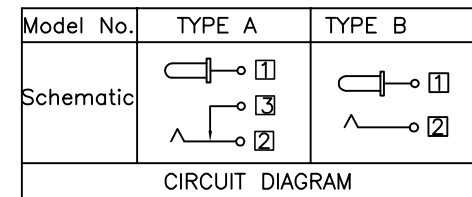
- Specification:
- ① * Housing: Thermoplastic
 - ② * Cover: Thermoplastic,black
 - ③ * Center Pin: Brass, Ni Plating
 - ④ * Center Pin Terminal: Brass,tin Plating
 - ⑤ * Tip spring: Phosphor Bronze,Tin Plating
 - ⑥ * Shunt Terminal: Brass,Tin Plating
- * Mating force: 3N-30N
 - * Unmating force: 3N-30N.
 - * Current Rating: 4.0A
 - * Rated Voltage: 20VAC(RMS).MAX
 - * Contact Resistance: 30 mΩ Max
 - * Insulation Resistance: 100MΩ Min
 - * Dielectric Withstanding: 500V
 - * Operating Temperature: -40°C~+85°C.



SECTION A-A



PIN	φ2.0	φ2.35	φ2.5
DIM A	φ5.5±0.05	φ5.5±0.05	φ5.5±0.05
DIM B	φ2.05 ^{+0.10} _{-0.06}	φ2.40 ^{+0.10} _{-0.06}	φ2.55 ^{+0.10} _{-0.06}



REV.	REVISION RECORD	DATE	GENERAL TOLERANCES		SCALE:	NAME	DATE	PART.NO:	DWG.NO:	 WanLian Teconology Co., Ltd
A0	NEW RELEASE	21.11.17	LINEAR	ANGLES	1:1	Wang_jr	21.11.17	WLDJFX-0417XX001	ENDE05	
			0.0±0.35	X°REF±6'	APPROVED	Han_Gao	21.11.17	TITLE:	REV: A0	
			0.00±0.25	X'±3'	DESIGNER	Zijun_Huang	21.11.17	DC POWER JACK	SHEET: 1/1	
			UNIT:mm	X'X' ±2'	DRAWN					
			SIZE: A4	0.000±0.10						