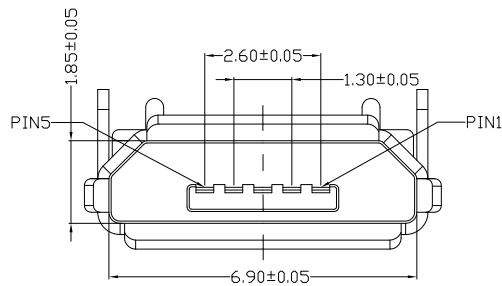
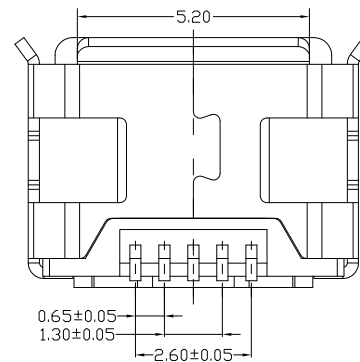
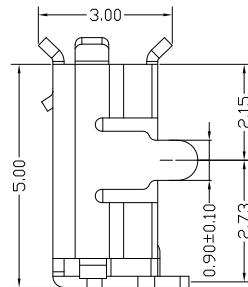
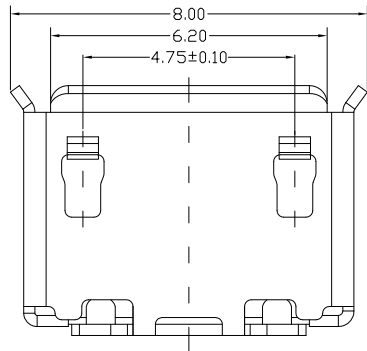
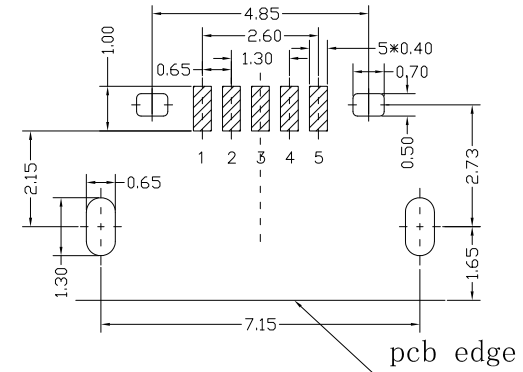


The product using material and processing must conform to the "WI-PZ-142"HSF technical standard control requirements

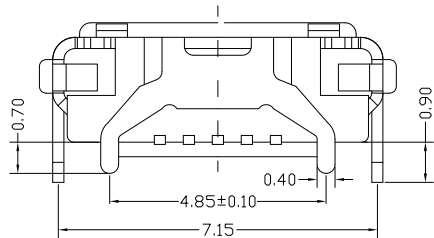
RoHS





Pin Number	Signal Name
1	VBUS
2	D-
3	D+
4	ID
5	GND



NOTE:  
 1.MECHANICAL PERFORMANCE:  
 1-1.INSERTION FORCE: 3.57kgf MAX  
 1-2.REMOVAL FORCE: 0.8kgf MIN  
 1-3.DURABILITY: 10000 CYCLES.  
 2.ELECTRICAL PERFORMANCE:  
 2-1.CURRENT RATING:1.5A  
 2-2.VOLTAGE RATING:5V MAX  
 2-3.CONTACT RESISTANCE: 30m Ohm MAX.  
 2-4.INSULATION RESISTANCE: 100MΩ MIN  
 2-5.DIELECTRIC WITHSTANDING VOLTAGE: 100V AC MIN  
 3.ENVIRONMENTAL PERFORMANCE:  
 OPERATING TEMPERATURE: -30°C~+85°C.  
 PACKAGE SPEC: REEL 1500PCS



3	SHELL	1	STAINLESS STEEL	Ni Plating
2	CONTACTS	1	COPPER ALLOY	Au Gold Flash
1	HOUSING	1	LCP UL94V-0	BLACK
NO.	DESCRIPTION	QTY	MATERIAL	FINISH

REV.	REVISION RECORD	DATE	GENERAL TOLERANCES		SCALE:	NAME	DATE	PART.NO:	DWG.NO:	 WanLian Technology Co., Ltd
A0	NEW RELEASE	21.01.13	LINEAR	ANGLES	1:1	Wang_jr	21.01.13	WLM2F9-0521A9079	ENDE05	
A1	Add Pin illustrate 	24.05.22	0.0±0.35	X'REF±6°	APPROVED	Ding_bo	21.01.13	TITLE:	MICRO 5P/F B TYPE DIP 0.9(7.15*4.85)	
			UNIT:mm	X'±3°	DESIGNER	Ou_jian	21.01.13			
			SIZE: A4	0.000±0.10	X'X' ±2°	DRAWN				REV: A1 SHEET: 1/1