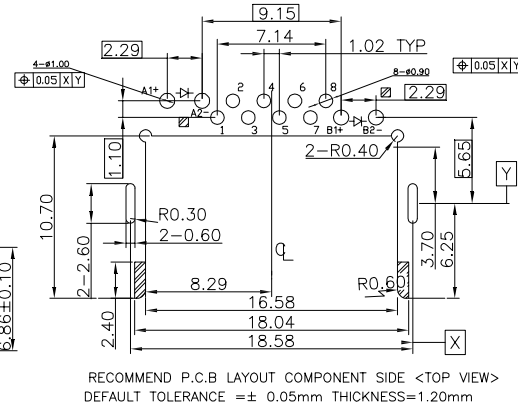
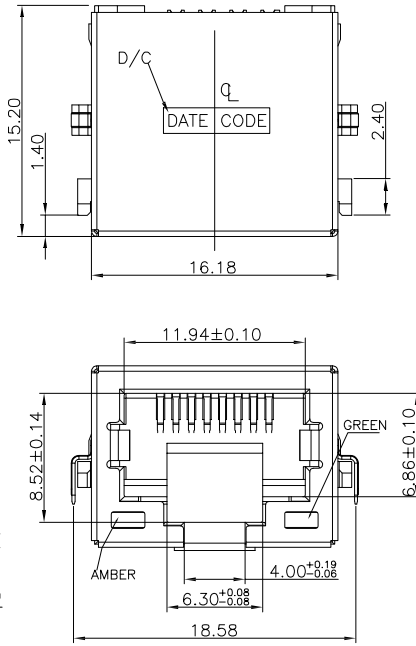
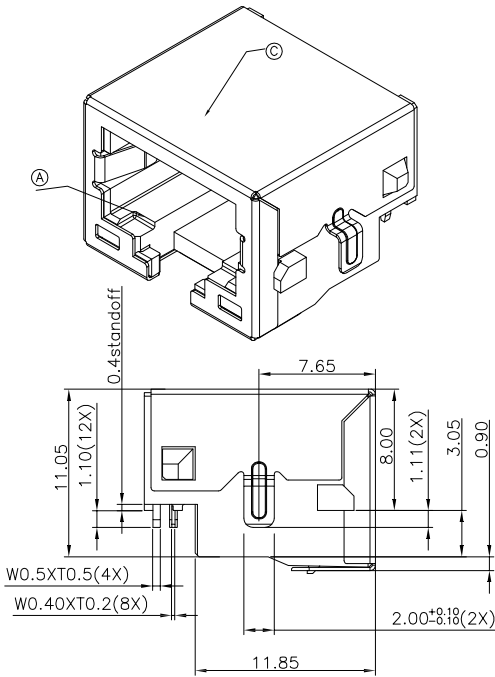


The product using material and processing must conform to the "WL-PZ-001" HSF technical standard control requirements

RoHS



RECOMMEND P.C.B LAYOUT COMPONENT SIDE <TOP VIEW>
DEFAULT TOLERANCE = ± 0.05mm THICKNESS=1.20mm

- NOTES
- MATERIAL:SEE SHEET
 - PLATING:
 - TERMINAL:
 - UNDERPLATED: NICKEL UNDERPLATING OVER ALL.
 - GOLD FLASH PLATING ON CONTACT AREA,
 - MATTE TIN 100μ" ON SOLDER AREA.
 - SHELL:
 - UNDERPLATED: NICKEL PLATING OVER ALL.
 - RoHS AND HALOGEN FREE COMPLIANT PRODUCTS
 - FOR IR SOLDERING LEAD-FREE PROCESS.260°C, 5~10SECS.

P/N: WL R4 F 9-08 1 1 A 0 105

CONNECTOR: R4-RJ45 COLOR: A-BLACK

MALE FEMALE: F-FEMALE PLATING: 1-G/F, 3-5U", 5-15U", 6-30U"

ANGLE: 9-90°

PIN Q'PY: 08PIN TERMIPOINT: 1-DIP

LED ELECTRIC CHARACTERISTIC			
A1(+)	A2(-)	AMBER	A1(+) ↔ A2(-)
B1(+)	B2(-)	GREEN	B1(+) ↔ B2(-)

ITEM	DESCRIPTIONS	MATERIAL	FINISH	Q'TY	COLOR
E	LED	EPOXY RESIN		1	AMBER
D	LED	EPOXY RESIN		1	GREEN
C	SHELL	SUS	Ni Plating	1	
B	CONTACT	PHOSPHOR BRONZE	Au Plating	8	
A	HOUSING	LCP, GLASS FIBER FILLED UL94V-0		1	Black

REV.	REVISION RECORD	DATE	GENERAL TOLERANCES		SCALE:	NAME	DATE	PART.NO:	DWG.NO:	WanLian Teconology Co., Ltd	
AO	NEW RELEASE	22.05.09		LINEAR	1:1	Wang_jr	22.05.09	WLR4F9-0811A0105	ENDE05		
				ANGLES							
				0.0±0.35	X'REF±6°	DESIGNER	Han_Gao	22.05.09	TITLE:	REV: A0	SHEET: 1/1
				UNIT:mm	0.00±0.25	X'±3°	DRAWN	LanXuan_Hou	22.05.09	CONN, RJ45 RECEPTACLE REVERSE RA DIP W/LED, H=8.00mm	
				0.00±0.10	X'X' ±2°						
				SIZE: A4							