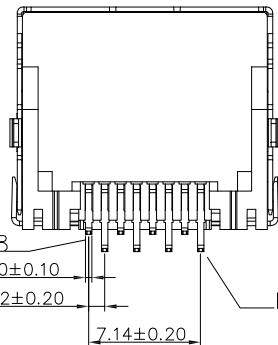
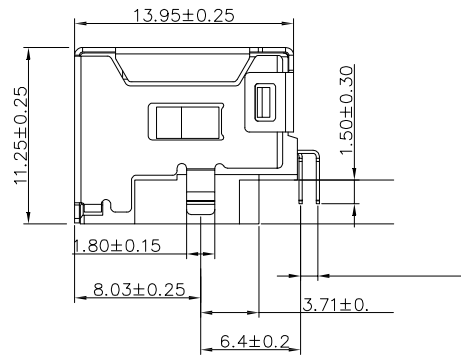
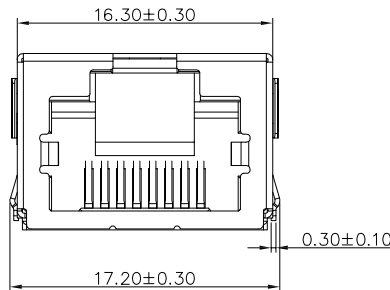
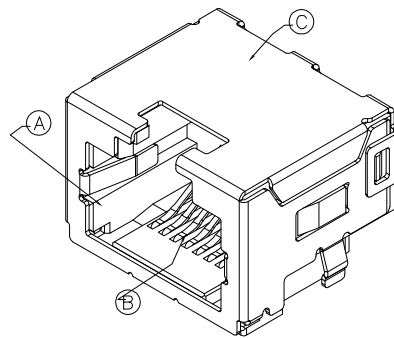
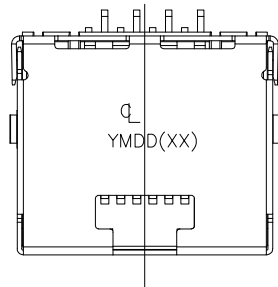


The product using material and processing must conform to the "WL-PZ-001"HSF technical standard control requirements

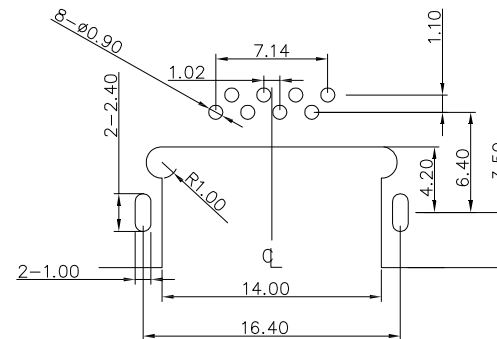
RoHS



DATE CODE: YMDD(XX), 字高2.0mm
 特码
 月份
 年份

- NOTES:
 1.MATERIAL: SEE SHEET
 2. FINISH:
 2.1 TERMINAL: NICKEL UNDERPLATING OVER ALL.GOLD FLASH ON CONTACT AREA, MATTE TIN 100u" ON SOLDER AREA.
 2.2 SHELL:UNDERPLATED: NICKEL PLATING OVER ALL.
 3. HALOGEN FREE & RoHS COMPLIANT PRODUCTS.
 4. FOR IR SOLDERING LEAD-FREE PROCESS.260°C, 5~10SECS.

5.P/N: WL R4 F 9-08 1 1 A 0 107
 CONNECTOR: R4-RJ45
 MALE FEMALE: F-FEMALE
 ANGLE: 9-90°
 PIN Q' PY: 08PIN
 COLOR: A-BLACK
 PLATING: 1-G/F, 3-5U", 5-15U", 6-30U"
 TERMIPOINT: 1-DIP



RECOMMENDED P.C.BOARD LAYOUT
 (TOP SIDE) TOLERANCE=±0.05mm PCB T=1.2mm

Pattern prohibited area (hatched) and Pattern solder area (cross-hatched) symbols.

©	SHELL	METAL ALLOY , Ni PLATING	1
Ⓑ	CONTACT	COPPER ALLOY , GOLD PLATING ON CONTACT AREA	1 SET
Ⓐ	HOUSING	HIGH TEMP THERMOPLASTIC ,UL94V-0, BLACK	1
ITEM	DESCRIPTION	REMARK	Q'TY

REV.	REVISION RECORD	DATE		GENERAL TOLERANCES		SCALE: 1:1	NAME	DATE	PART.NO: WLR4F9-0811A0107	DWG.NO: ENDE05	 WanLian Teconology Co., Ltd
A0	NEW RELEASE	22.05.09		LINEAR	ANGLES	APPROVED	Wang_jr	22.05.09			
			UNIT:mm	0.00±0.25	X'±3'	DESIGNER	Han_Gao	22.05.09	TITLE: CONN, RJ45 RECEPTACLE RA DIP REVERSE W/LED, H=5.75mm	REV: A0	SHEET: 1/1
			SIZE: A4	0.000±0.10	X'X' ±2'	DRAWN	LanXuan_Hou	22.05.09			