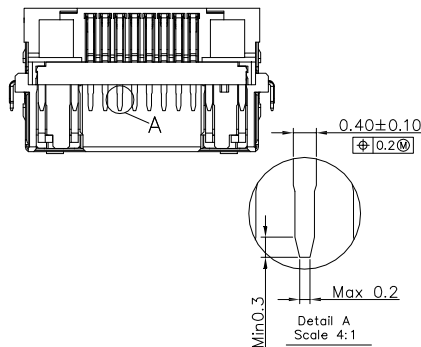
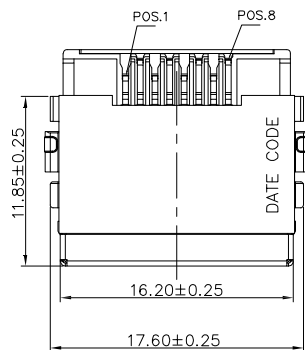
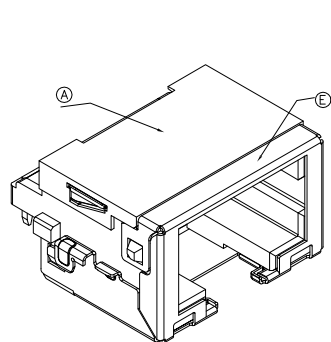
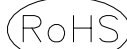
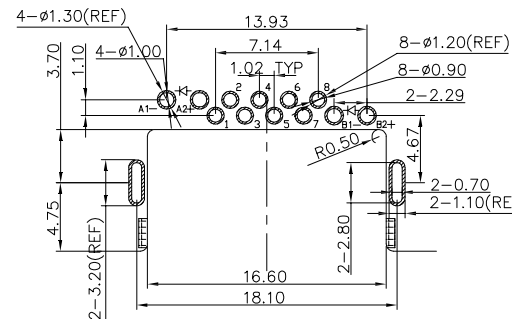
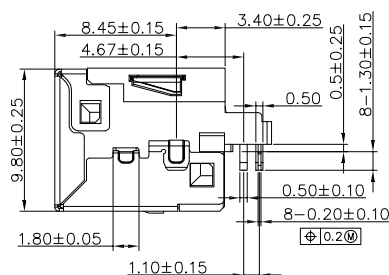
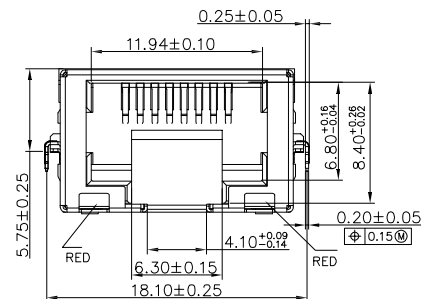
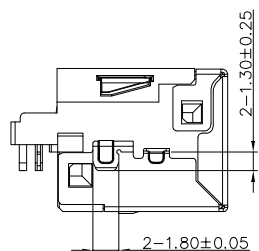


The product using material and processing must conform to the "WL-PZ-001"HSF technical standard control requirements



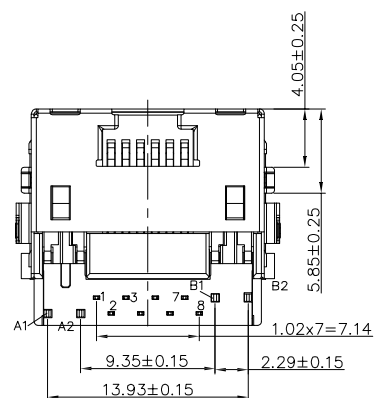
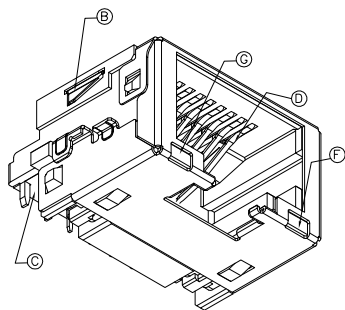
NOTES:

- 1.MATERIAL: SEE SHEET
2. FINISH:
  - 2.1 TERMINAL: NICKEL UNDERPLATING OVER ALL.GOLD FLASH ON CONTACT AREA, MATTE TIN 100u" ON SOLDER AREA.
  - 2.2 SHELL: UNDERPLATED: NICKEL PLATING OVER ALL.
3. HALOGEN FREE & RoHS COMPLIANT PRODUCTS.
4. FOR IR SOLDERING LEAD-FREE PROCESS.260°C, 5~10SECS.



RECOMMENDED P.C. BOARD LAYOUT (TOP SIDE) TOLERANCE=±0.05mm PCB T=1.2mm

PATTERN PROHIBITED AREA PATTERN SOLDER AREA



P/N: WL R4 F 9-08 1 X A 0 104  
 CONNECTOR: R4-RJ45 COLOR: A-BLACK  
 MALE FEMALE: F-FEMALE PLATING: 1-G/F, 3-5U, 5-15U, 6-30U  
 ANGLE: 9-90° TERMPOINT: 1-DIP  
 PIN Q'PY: 08PIN

LED ELECTRIC CHARACTERISTIC	
RED	A1(-) ↔ A2(+)
RED	B1(-) ↔ B2(+)

P/N	CONTACT PLATING
WLR4F9-0811A0104	GOLD FLASH
WLR4F9-0816A0104	30u" Au

ITEM	DESCRIPTION	REMARK	Q'TY
Ⓒ	LED	EPOXY RESIN RED WAVELENGTH 620~630 nm	1
Ⓕ	LED	EPOXY RESIN RED WAVELENGTH 620~630 nm	1
Ⓔ	SPACER	HIGH TEMP THERMOPLASTIC, ,UL94V-0, BLACK	1
Ⓖ	STOPPER	HIGH TEMP THERMOPLASTIC, ,UL94V-0, BLACK	2
Ⓒ	SHELL	METAL ALLOY , Ni PLATING	1
Ⓑ	CONTACT	COPPER ALLOY , GOLD PLATING ON CONTACT AREA	1 SET
Ⓐ	HOUSING	HIGH TEMP THERMOPLASTIC ,UL94V-0, BLACK	1

REV.	REVISION RECORD	DATE	GENERAL TOLERANCES		SCALE:	NAME	DATE	PART.NO:	DWG.NO:	WanLian Teconology Co., Ltd	
AO	NEW RELEASE	22.05.09	LINEAR	ANGLES	1:1	Wang_jr	22.05.09	WLR4F9-081XA0104	ENDE05	REV: A0 SHEET: 1/1	
			0.0±0.35	X'REF±6°	APPROVED	Han_Gao	22.05.09	TITLE:	CONN, RJ45 RECEPTACLE REVERSE RA DIP W/LED, H=5.75mm		
			UNIT:mm	X'±3°	DESIGNER	LanXuan_Hou	22.05.09				
			SIZE: A4	0.000±0.10	X'X' ±2°	DRAWN					