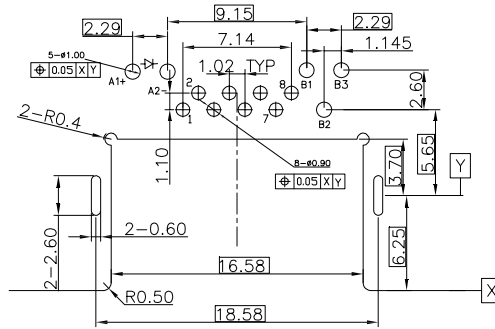
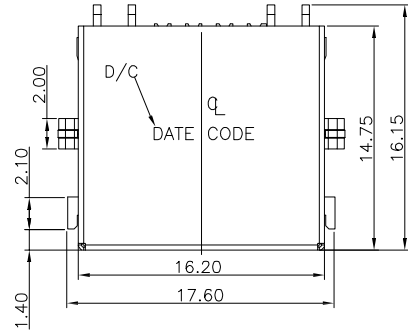
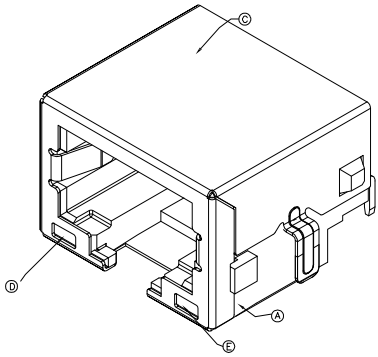


The product using material and processing must conform to the "WL-PZ-001" HSF technical standard control requirements

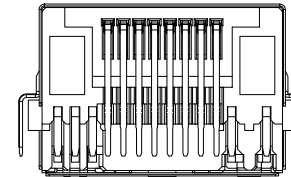
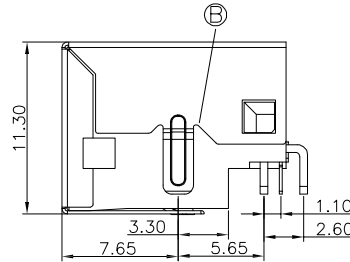
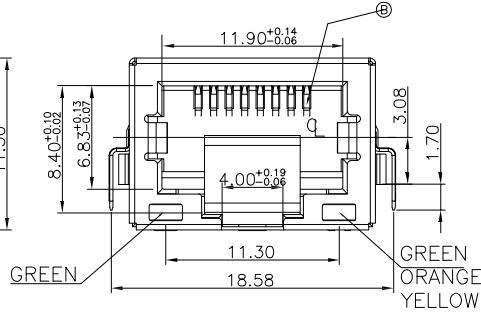
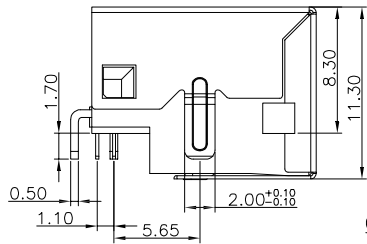
RoHS



RECOMMEND P.C.B LAYOUT COMPONENT SIDE <TOP VIEW>
DEFAULT TOLERANCE = ± 0.05mm THICKNESS=1.20mm

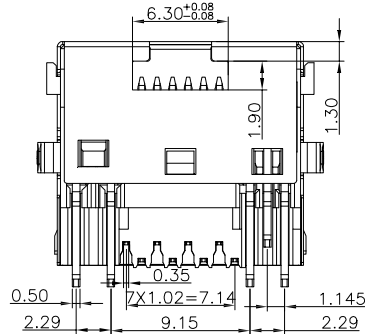
NOTES

- MATERIAL:SEE SHEET
- PLATING:
 - TERMINAL:
UNDERPLATED: NICKEL UNDERPLATING OVER ALL.
GOLD PLATING ON CONTACT AREA, MATTE TIN 100μ" ON SOLDER AREA.
 - SHELL:
UNDERPLATED: NICKEL PLATING OVER ALL.
- RoHS AND HALOGEN FREE COMPLIANT PRODUCTS
- FOR IR SOLDERING LEAD-FREE PROCESS.260°C, 5~10SECS.



P/N: WL R4 F 9-08 1 X A 0 106
 CONNECTOR: R4-RJ45
 MALE FEMALE: F-FEMALE
 ANGLE: 9-90°
 PIN Q'PY: 08PIN
 COLOR: A-BLACK
 PLATING: 1-G/F, 3-5U", 5-15U", 6-30U"
 TERMPIPOINT: 1-DIP

LED ELECTRIC CHARACTERISTIC			
LED1	A1(+)	A2(-)	GREEN
LED2	B1(-)	B2(+)	GREEN
	B3(-)	B2(+)	ORANGE
	B1(-)	B2(+)	YELLOW



LED ELECTRIC CHARACTERISTIC			
LED1	A1(+)	A2(-)	GREEN
LED2	B1(-)	B2(+)	GREEN
	B3(-)	B2(+)	ORANGE
	B1(-)	B2(+)	YELLOW

P/N	CONTACT PLATING	SHELL PLATING
WLR4F9-0811A0106	GOLD FLASH	Ni
WLR4F9-0813A0106	5u" Au	Ni
WLR4F9-0816A0106	30u" Au	Ni

ITEM DESCRIPTIONS	MATERIAL	FINISH	Q'TY	COLOR
E LED2	EPOXY RESIN		1	G/O/Y
D LED1	EPOXY RESIN		1	GREEN
C SHELL	METAL ALLOY	Ni Plating	1	
B CONTACT	COPPER ALLOY	AU Plating	8	
A HOUSING	HIGH TEMP THERMOPLASTIC, GLASS FIBER FILLED UL94V-0		1	Black

REV.	REVISION RECORD	DATE	GENERAL TOLERANCES	SCALE:	NAME	DATE	PART.NO:	DWG.NO:
A0	NEW RELEASE	22.05.09	LINEAR 0.0±0.35	1:1	Wang_jr	22.05.09	WLR4F9-081XA0106	ENDE05
			ANGLES X'REF±6°					
			UNIT:mm 0.00±0.25		Han_Gao	22.05.09	TITLE: CONN, RJ45 RECEPTACLE RA DIP REVERSE W/LED, H=8.3mm	
			SIZE: A4 0.000±0.10		LanXuan_Hou	22.05.09		



WanLian Teconology Co., Ltd

REV: A0 SHEET: 1/1