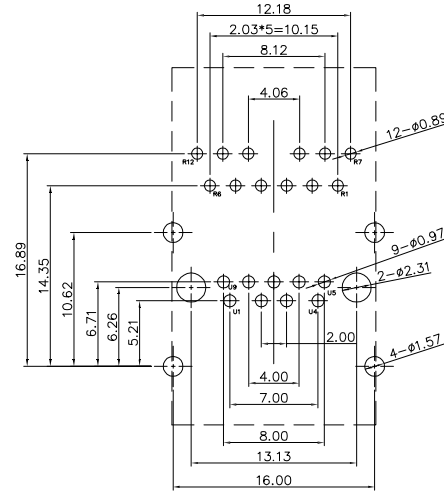
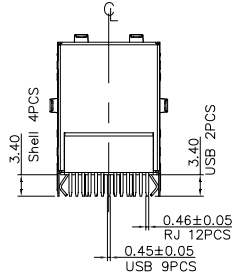
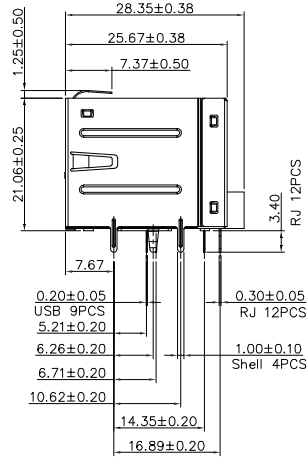
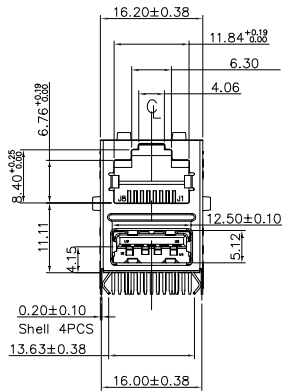
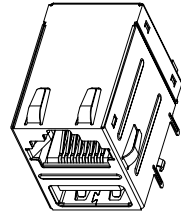
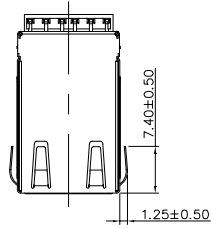


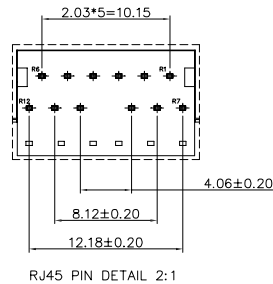
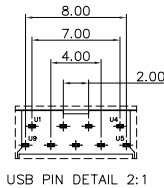
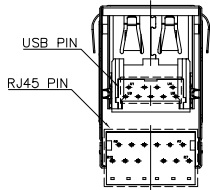
The product using material and processing must conform to the "WL-PZ-001"HSF technical standard control requirements

1.MECHANICAL DIMENSIONS

RoHS+HF



RECOMMENDED PCB LAYOUT  
TOP VIEW (COMPONENT SIDE) PCB  
ALL DIMENSION TOLERANCE ARE  
±0.05 UNLESS OTHERWISE SPECIFIED  
SCALE 2:1



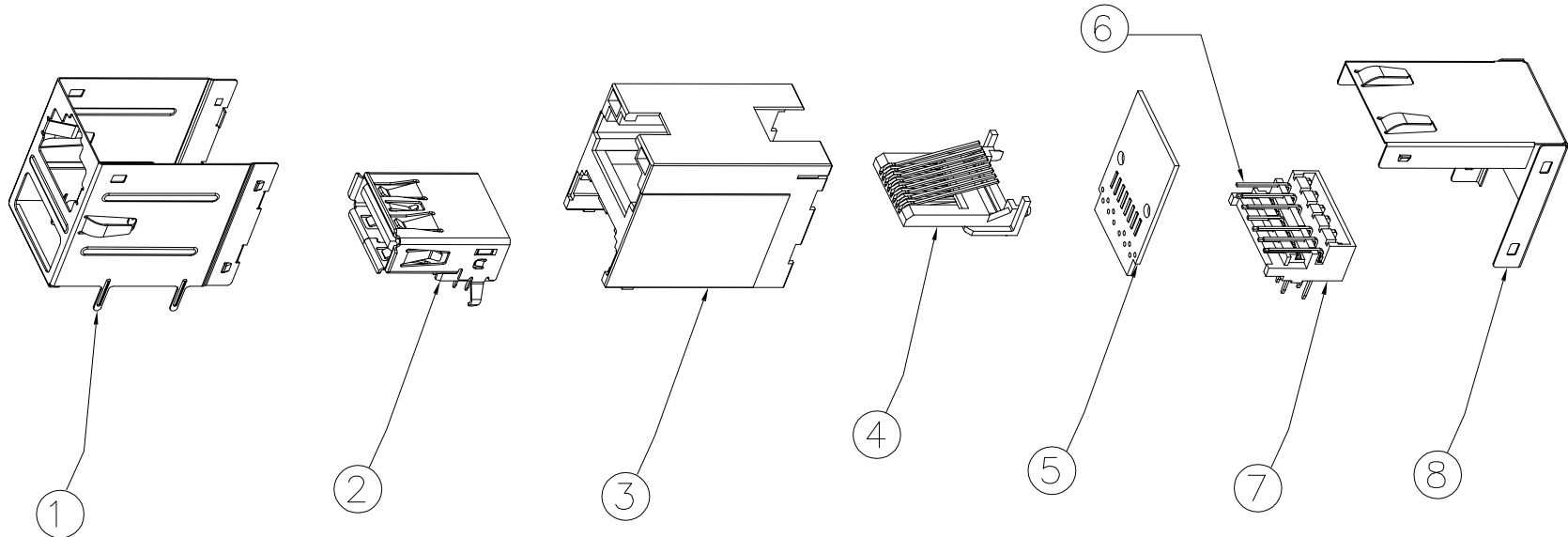
P/N: WL R4 F 9-12 1 X A 0 099  
CONNECTOR: R4-RJ45  
MALE FEMALE: F-FEMALE  
ANGLE: 9-90°  
TERMPIPOINT: 1-DIP  
COLOR: A-BLACK  
PLATING: 1-G/F, 3-5U", 5-15U", 6-30U"

REV.	REVISION RECORD	DATE	GENERAL TOLERANCES		SCALE: 1:1	NAME	DATE	PART.NO:	DWG.NO:	 WanLian Teconology Co., Ltd
AO	NEW RELEASE	22.05.09	LINEAR	ANGLES	APPROVED	Wang_jr	22.05.09	WLR4F9-121XA0099	ENDE05	
			0.0±0.35	X'REF±6°	DESIGNER	Han_Gao	22.05.09	TITLE: RJ45+SINGLE USB3.0 无卤		REV: A0
			UNIT:mm	X'±3°	DRAWN	LanXuan_Hou	22.05.09			SHEET: 1/2
			SIZE: A4	0.000±0.10						

The product using material and processing must conform to the "WL-PZ-001"HSF technical standard control requirements

RoHS+HF

## 2.PRODUCT CONFIGURATION



- 技术要求:**
1. 材料: 见图示BOM表。
  2. 过260℃ 5分钟后无起泡, 变形等不良。
  3. 裁切毛边0.08mm 最大。
  4. 插入力 35N MAX. (USB3.0)/22N MAX. (RJ45)  
拔出力 10N MIN. (USB3.0)/22N MAX. (RJ45)  
耐久性 5000Cycles (USB3.0)/2500Cycles (RJ45)
  5. 盐雾: 外壳、RJ端子48H后, 表面无发黑, 锈蚀等不良。

⑧	BACK SHELL	SUS430 1/2H T=0.20mm	1PCS
⑦	SPACER	LCP E471I UL94V-0 BLACK	1PCS
⑥	INPUT CONTACT	BRASS C2680-H,T=0.30mm	12PIN
⑤	PCB	FR4,T=0.60mm	1PCS
④	RJ CONTACT	PHOSPHOR BRONZE C5210-EH T=0.30mm Au 30u" Plating	1SET
③	HOUSING	LCP E471I UL94V-0 BLACK	1PCS
②	USB3.0	LCP E130I BLUE Au 30u" Plating	1SET
①	FRONT SHELL	SUS304 1/2H 30u" No Plating T=0.20mm	1PCS
ITEM	DESCRIPTION	REMARK	Q'TY

REV.	REVISION RECORD	DATE		GENERAL TOLERANCES		SCALE: 1:1	NAME	DATE	PART.NO:	DWG.NO:	 WanLian Teconology Co., Ltd
AO	NEW RELEASE	22.05.09		LINEAR	ANGLES	APPROVED	Wang_jr	22.05.09	WLR4F9-121XA0099	ENDE05	
			0.0±0.35	X°REF±6°	DESIGNER	Han_Gao	22.05.09	TITLE:			
			UNIT:mm	0.00±0.25	X'±3'	DRAWN	LanXuan_Hou	22.05.09	RJ45+SINGLE USB3.0 无卤		
			SIZE: A4	0.000±0.10	X°X'±2°				REV: A0	SHEET: 2/2	