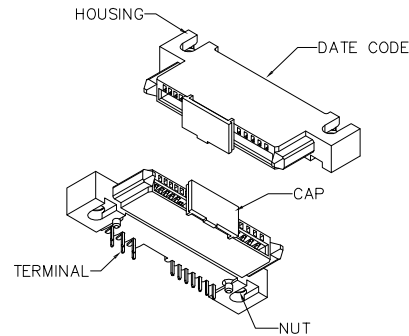
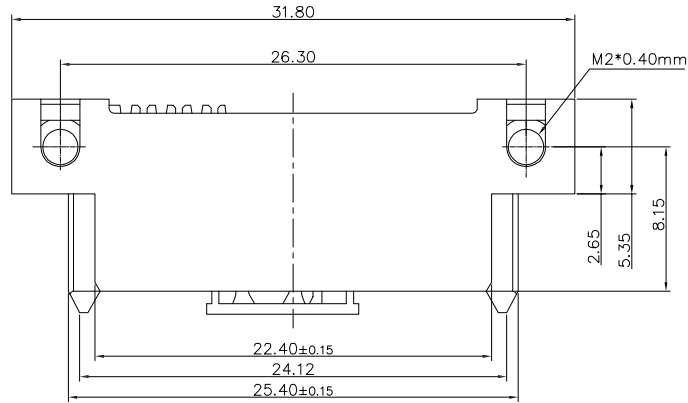


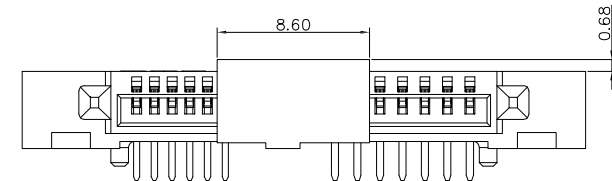
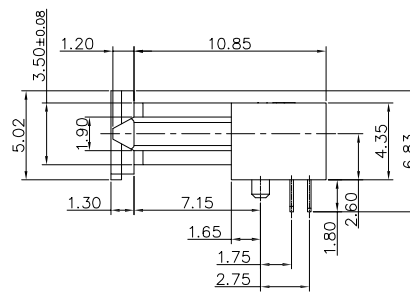
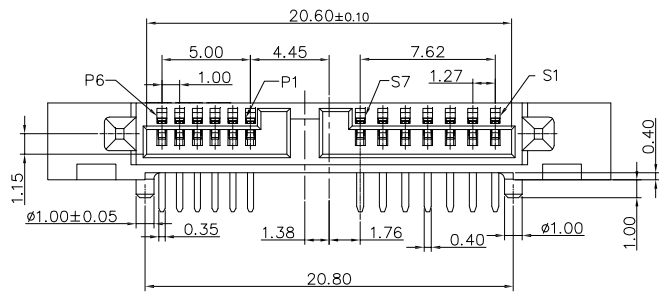
The product using material and processing must conform to the "WL-PZ-001" HSF technical standard control requirements

RoHS

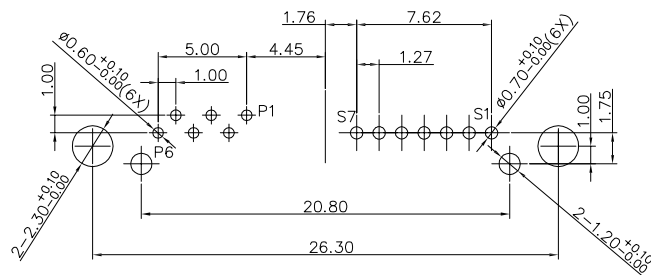


NOTES:

1. MATERIAL:
 - 1.1 HOUSING: HIGH TEMPERATURE THERMOPLASTIC, GLASS FIBER FILLED UL94V-0, COLOR BLACK
 - 1.2 TERMINAL: COPPER ALLOY
 - 1.3 NUT: BRASS
2. PLATING:
 - 2.1 TERMINAL: UNDERPLATED: NICKEL UNDERPLATING OVER ALL. Au"PLATING ON CONTACT AREA, TIN 100u" ON SOLDER AREA.
 - 2.2 NUT: UNDERPLATED: NICKEL PLATING OVER ALL.
3. HALOGEN FREE & RoHS COMPLIANT PRODUCTS.
4. THE NUTS TORQUE FORCE NEED 2KGF MIN .
5. DATE CODE:



ASSEMBLY WITH CAP



RECOMMENDED PCB LAYOUT
THICKNESS=1.2MM(TOLERANCES=±0.03MM)

P/N: WL SA F 9-06 1 1 A 0 015

CONNECTOR: SA-SATA COLOR: A-BLACK

MALE FEMALE: F-FEMALE PLATING: 1-G/F, 3-5U", 4-10U", 5-15U"

ANGLE: 9-90° TERMIPPOINT: 1-DIP

PIN Q'PY: 06PIN

REV.	REVISION RECORD	DATE		GENERAL TOLERANCES		SCALE: 1:1	NAME	DATE	PART.NO:	DWG.NO:	 WanLian Teconology Co., Ltd
AO	NEW RELEASE	22.05.09		LINEAR	ANGLES	APPROVED	Wang_jr	22.05.09	WLSAF9-0611A0015	ENDE05	
			UNIT:mm	0.00±0.25	X'±3°	DESIGNER	Han_Gao	22.05.09	TITLE:		REV: A0 SHEET: 1/1
			SIZE: A4	0.000±0.10	X'X' ±2°	DRAWN	LanXuan_Hou	22.05.09	CONN,SATA ODD RECEPTACLE REVERSE R/A DIP ,C/H=2.60mm WITH NUT		