

The product using material and processing must conform to the "WL-PZ-001" HSF technical standard control requirements



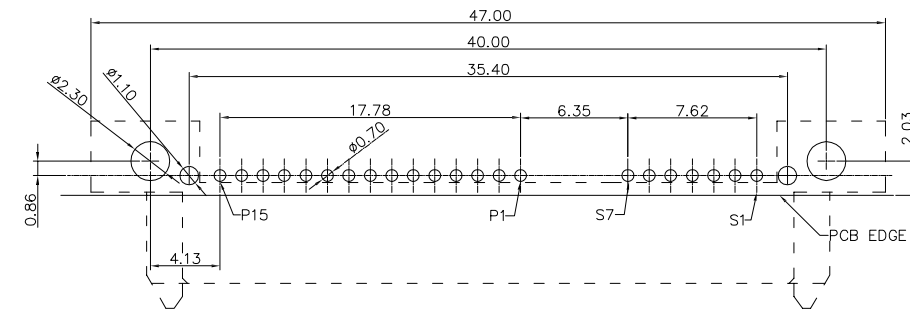
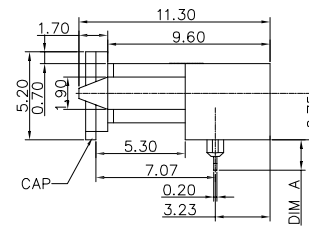
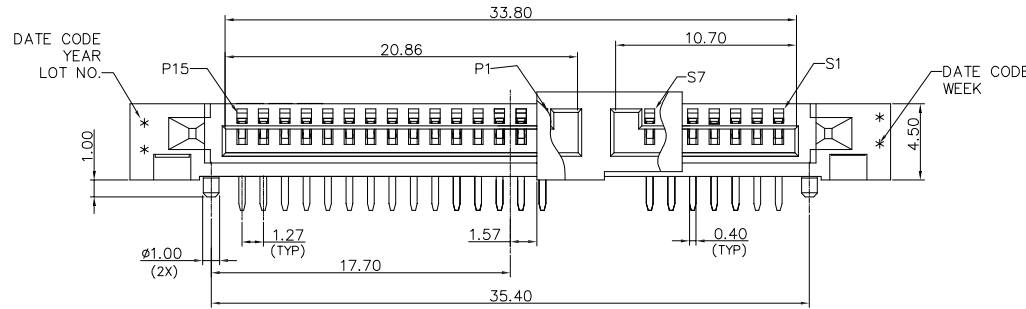
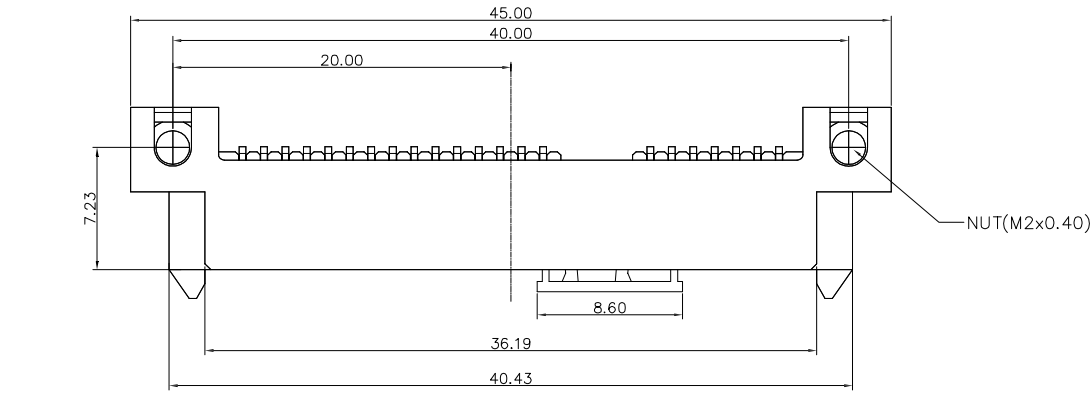
NOTES:

1. MATERIAL:
 - 1.1 HOUSING: HIGH TEMPERATURE THERMOPLASTIC, GLASS FIBER FILLED UL94V-0, COLOR BLACK
 - 1.2 TERMINAL: COPPER ALLOY
 - 1.3 NUT: BRASS
2. PLATING:
 - 2.1 TERMINAL: UNDERPLATED: NICKEL UNDERPLATING OVER ALL. GOLD FLASH ON CONTACT AREA, TIN 100u" ON SOLDER AREA.
 - 2.2 NUT: UNDERPLATED: NICKEL PLATING OVER ALL.
3. HALOGEN FREE & RoHS COMPLIANT PRODUCTS.
4. DATE CODE: * ** *

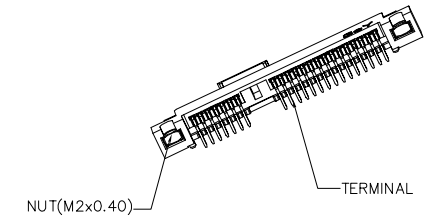
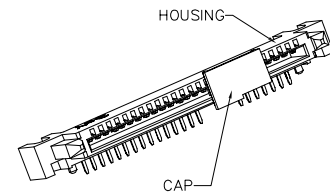


P/N: WL SA F 9-15 1 1 A 0 011

- CONNECTOR: SA-SATA COLOR: A-BLACK
- MALE FEMALE: F-FEMALE PLATING: 1-G/F, 3-5U", 5-15U", 6-30U"
- ANGLE: 9-90°
- PIN Q'PY: 15PIN TERMIPOINT: 1-DIP



RECOMMENDED P.C.BOARD LAYOUT (TOP SIDE) TOLERANCE=±0.05mm



01	1.80	CONTACT AREA GOLD FLASH, MATTE TIN 100u" ON SOLDER AREA.
04	1.80	CONTACT AREA GOLD FLASH, BRIGHT TIN 100u" ON SOLDER AREA.
02	1.50	CONTACT AREA GOLD FLASH, BRIGHT TIN 100u" ON SOLDER AREA.
00	1.80	CONTACT AREA GOLD FLASH, BRIGHT TIN 100u" ON SOLDER AREA.
P/N	DIM A	REMARK

REV.	REVISION RECORD	DATE		GENERAL TOLERANCES		SCALE: 1:1	NAME	DATE	PART.NO:	DWG.NO:	
AO	NEW RELEASE	22.05.09		LINEAR	ANGLES						
			UNIT:mm	0.00±0.25	X'±3'	DESIGNER	Han_Gao	22.05.09	TITLE:	WanLian Teconology Co., Ltd	
			SIZE: A4	0.000±0.10	X'X' ±2'	DRAWN	LanXuan_Hou	22.05.09	SATA HDD RECEPACLE REVERSR R/A DIP C/H=2.75mm WITH NUT	REV: A0	SHEET: 1/1