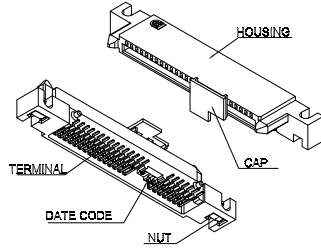
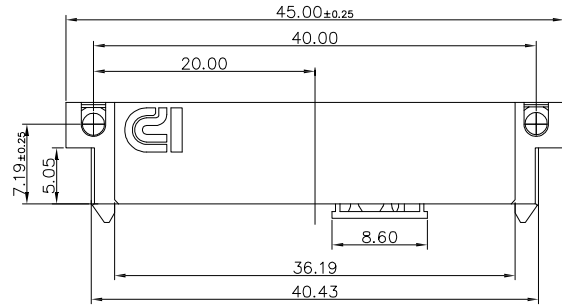


The product using material and processing must conform to the "WL-PZ-001" HSF technical standard control requirements

RoHS

NOTES:

1. MATERIAL:
 - 1.1 HOUSING: HIGH TEMPERATURE THERMOPLASTIC, GLASS FIBER FILLED, UL94V-0, BLACK.
 - 1.2 CAP: HIGH TEMPERATURE THERMOPLASTIC, GLASS FIBER FILLED, UL94V-0, BLACK.
 - 1.3 TERMINAL: COPPER ALLOY.
 - 1.4 NUT: BRASS.
2. FINISH:
 - 2.1 TERMINAL: NICKEL UNDERPLATING OVER ALL. GOLD FLASH ON CONTACT AREA, MATTE TIN 100u" ON SOLDER AREA.
 - 2.2 NUT: NICKEL PLATING OVER ALL.
3. HALOGEN FREE & RoHS COMPLIANT PRODUCTS.



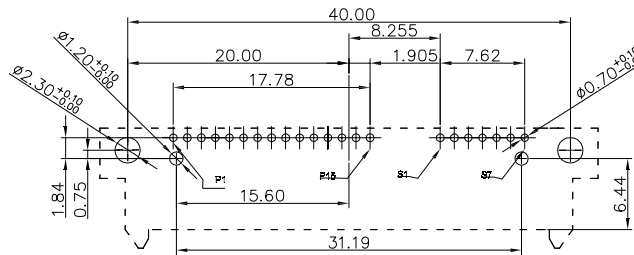
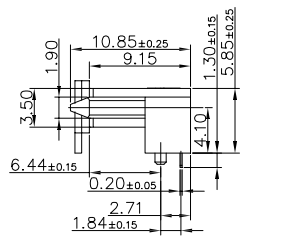
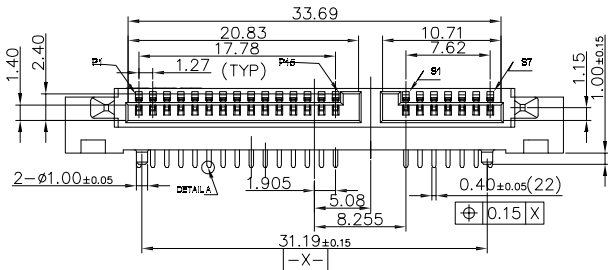
P/N: WL SA F 9-15 1 1 A 0 013

CONNECTOR: SA-SATA COLOR: A-BLACK

MALE FEMALE: F-FEMALE PLATING: 1-G/F, 3-5U, 4-10U, 5-15U

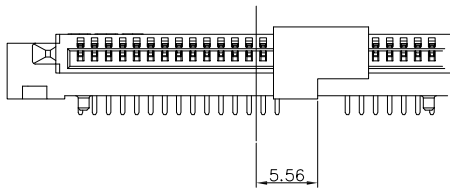
ANGLE: 9-90° TERMPOINT: 1-DIP

PIN Q'PY: 15PIN



RECOMMENDED P.C. BOARD LAYOUT (TOP SIDE) TOLERANCE=±0.05mm

- PATTERN SOLDER AREA
- PATTERN PROHIBITED AREA



ASSEMBLY WITH CAP

④	NUT	C3604 Sn PLATING	2
③	CONTACT	C5210-EH,T=0.2, G/F PLATING	22
②	CAP	LCP,UL94V-0, BLACK	1
①	HOUSING	LCP,UL94V-0, BLACK	1
ITEM	DESCRIPTION	REMARK	Q'TY

REV.	REVISION RECORD	DATE		GENERAL TOLERANCES		SCALE: 1:1	NAME	DATE	PART.NO:	DWG.NO:	
AO	NEW RELEASE	22.05.09		LINEAR	ANGLES						
			UNIT:mm	0.00±0.25	X'REF±6°	DESIGNER	Han_Gao	22.05.09	TITLE:		
			SIZE: A4	0.000±0.10	X'X' ±2°	DRAWN	LanXuan_Hou	22.05.09	CONN,SATA HDD RECEPTACLE R/A DIP ,C/H=4.10mm WITH NUTS		REV: A0 SHEET: 1/1