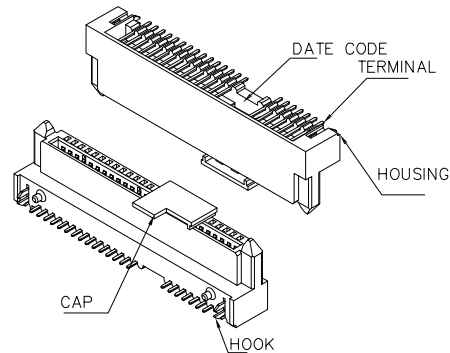
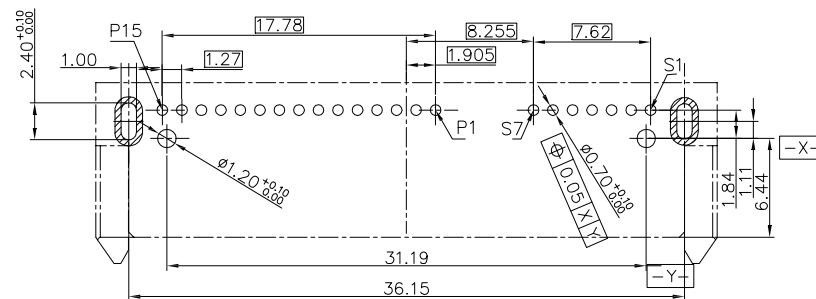
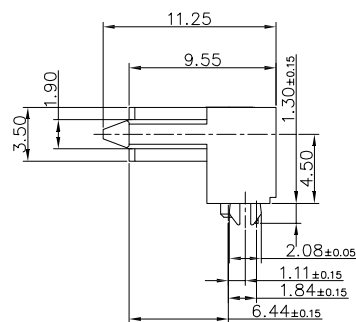
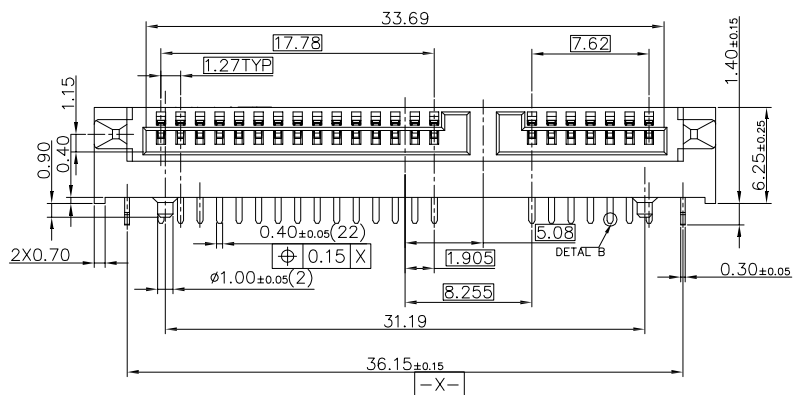
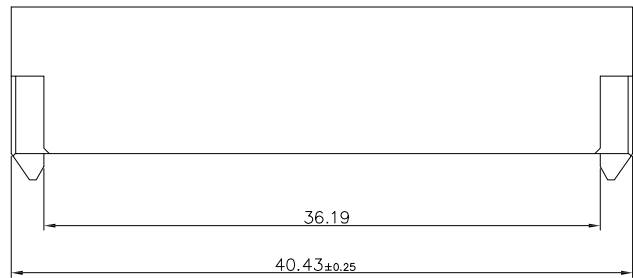


The product using material and processing must conform to the "WL-PZ-001" HSF technical standard control requirements

RoHS

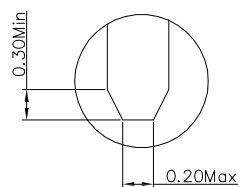


NOTES:  
 1. MATERIAL:  
 1.1 HOUSING: HIGH TEMPERATURE THERMOPLASTIC, GLASS FIBER FILLED, UL94V-0, BLACK.  
 1.2 CAP: HIGH TEMPERATURE THERMOPLASTIC, GLASS FIBER FILLED, UL94V-0, BLACK.  
 1.3 TERMINAL: COPPER ALLOY.  
 1.4 HOOK: BRASS.  
 2. FINISH:  
 2.1 TERMINAL: NICKEL UNDERPLATING OVER ALL. GOLD FLASH ON CONTACT AREA, MATTE TIN 100u" ON SOLDER AREA.  
 2.2 HOOK: MATTE TIN 100u" ON SOLDER AREA. NICKEL UNDERPLATING OVER  
 3. HALOGEN FREE & RoHS COMPLIANT PRODUCTS.

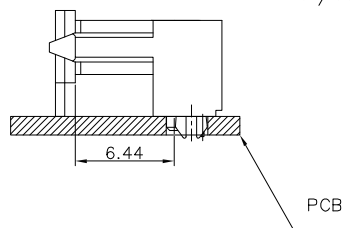


RECOMMENDED P.C. BOARD LAYOUT  
 (TOP SIDE) TOLERANCE=±0.05mm

PATTERN SOLDER AREA  
 PATTERN PROHIBITED AREA



DETAL B 10:1



P/N: WLSAF9-1511A0014

PLATING:  
 1-G/F  
 3-5U"  
 4-10U"  
 5-15U"

| ITEM | PRODUCT P/N      | TERMINAL PLATING                                   |
|------|------------------|----------------------------------------------------|
| 1    | WLSAF9-1514A0014 | Au 10u" ON CONTACT AREA, TIN 100u" ON SOLDER AREA. |
| 2    | WLSAF9-1511A0014 | GOLD FLASH ON CONTACT AREA AND SOLDER AREA.        |

| ITEM | DESCRIPTION | REMARK                       | Q'TY |
|------|-------------|------------------------------|------|
| ④    | HOOK        | C2680 Sn PLATING             | 2    |
| ③    | CONTACT     | C5210-EH, T=0.2, G/F PLATING | 22   |
| ②    | CAP         | LCP, UL94V-0, BLACK          | 1    |
| ①    | HOUSING     | LCP, UL94V-0, BLACK          | 1    |

| REV. | REVISION RECORD | DATE     |
|------|-----------------|----------|
| AO   | NEW RELEASE     | 22.05.09 |

| GENERAL TOLERANCES |           |
|--------------------|-----------|
| LINEAR             | 0.00±0.25 |
| ANGLES             | X°REF±6°  |
|                    | X°±3°     |
|                    | X°X'±2°   |

| SCALE:   | NAME        | DATE     |
|----------|-------------|----------|
| 1:1      | Wang_jr     | 22.05.09 |
| APPROVED | Han_Gao     | 22.05.09 |
| DESIGNER | LanXuan_Hou | 22.05.09 |
| DRAWN    |             |          |

| PART NO:                                                                   | DWG NO: |
|----------------------------------------------------------------------------|---------|
| WLSAF9-1511A0014                                                           | ENDE05  |
| TITLE:<br>CONN,SATA HDD RECEPTACLE REVERSE<br>R/A DIP WITH HOOK C/H=4.50mm |         |

万连科技  
 WanLian Teconology Co., Ltd  
 REV: A0 SHEET: 1/1