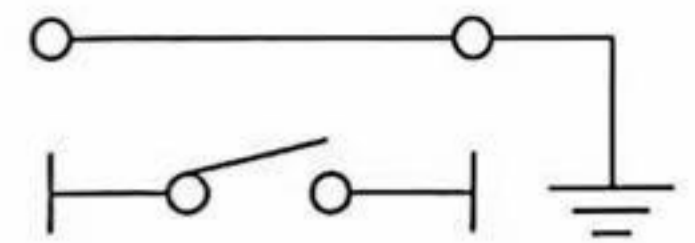
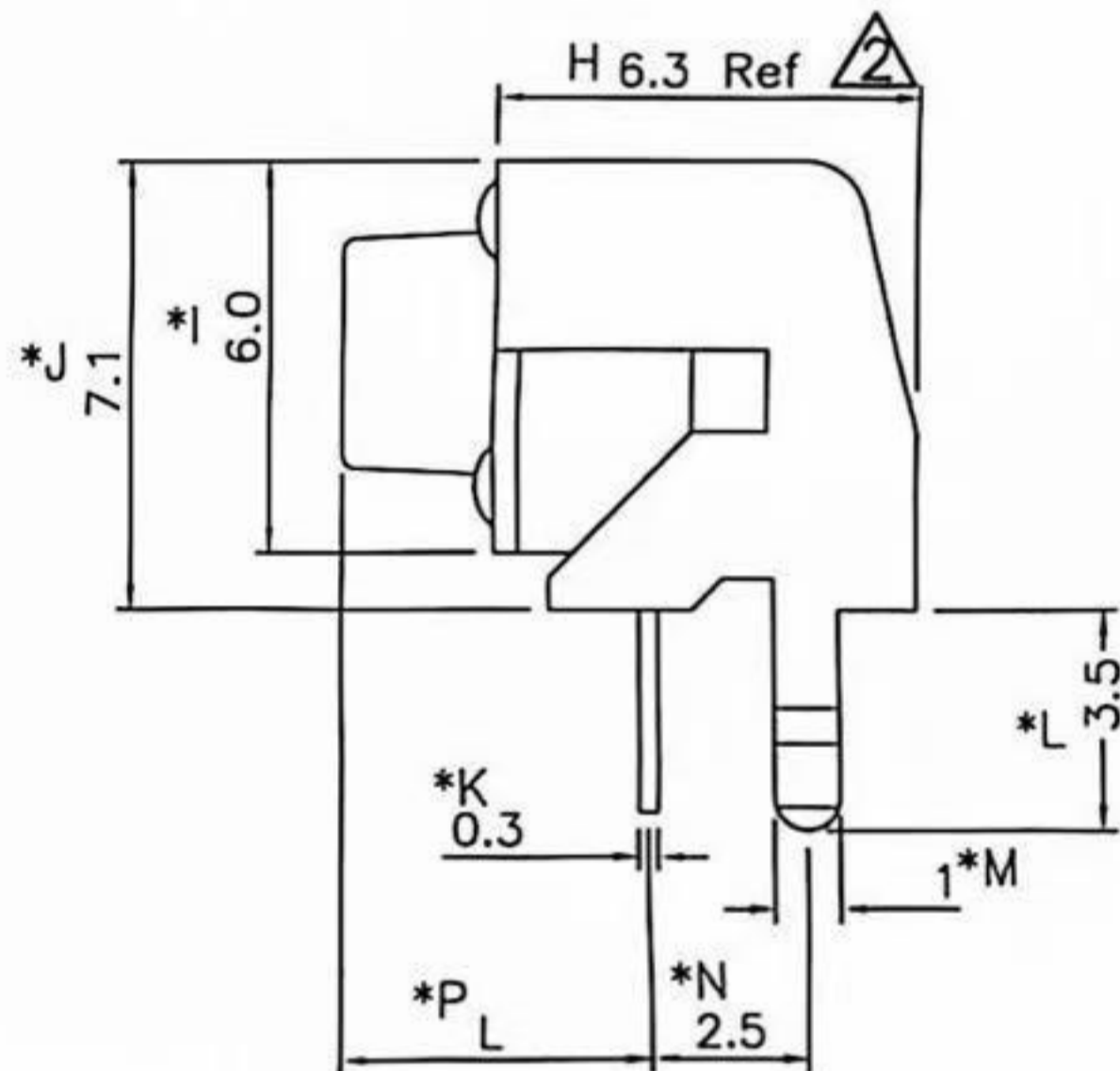
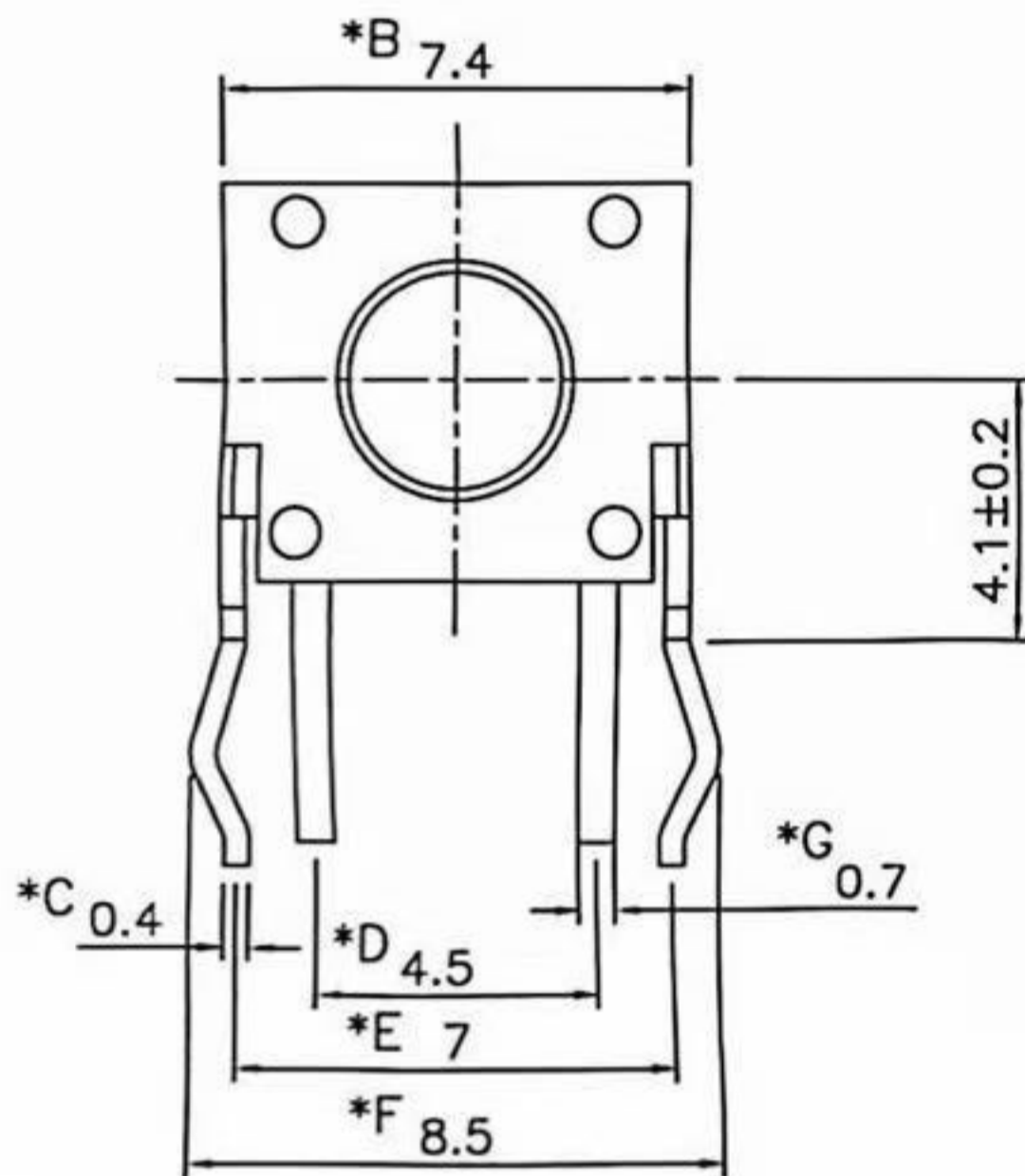
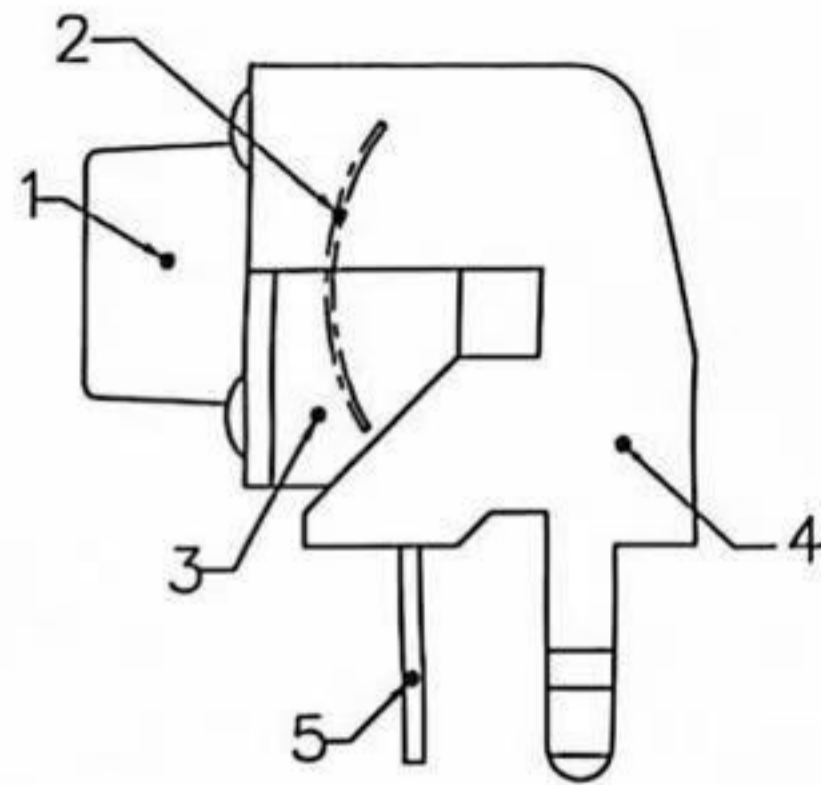
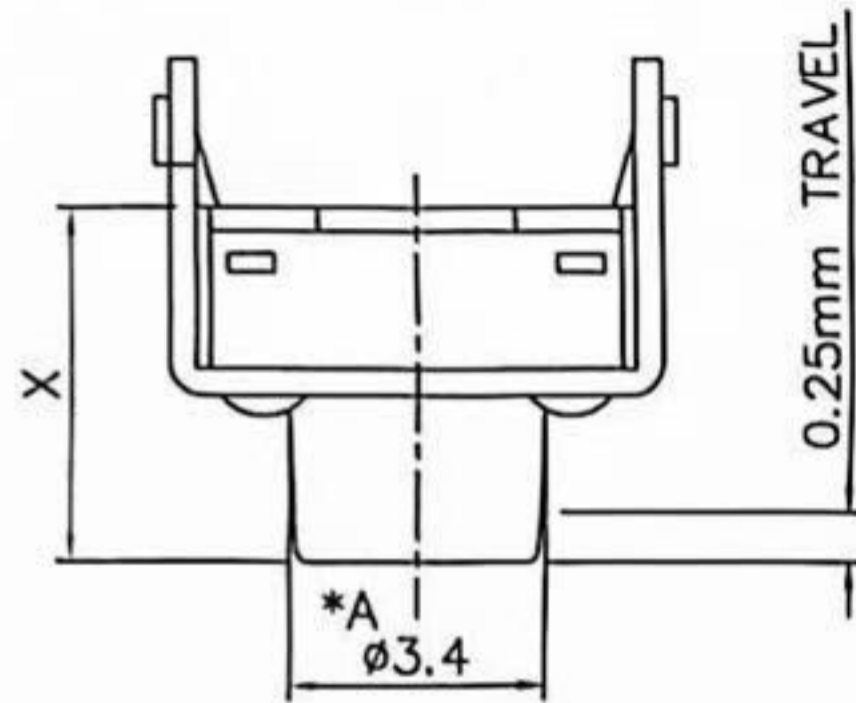
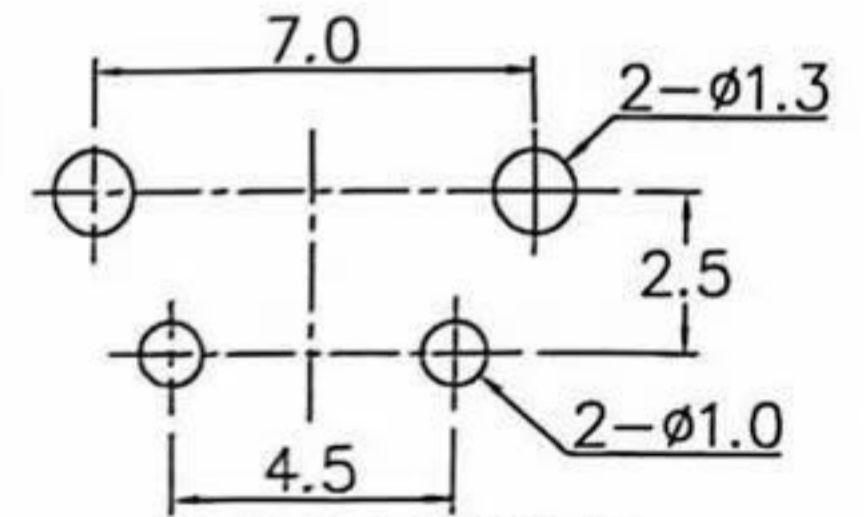


The product using material and processing must conform to the "WI-PZ-001" HSF technical standard control requirements

RoHS



SCHEMATIC



P.C.B.LAYOUT

(height)X/L=	A4.3	3.15 mm
	B5.0	3.85 mm
	6.0	4.85 mm
	C7.0	5.85 mm
	8.0	6.85 mm
	8.5	7.35 mm
	D13.0	11.85 mm

(force) F=250gf

PART ORDER:

WLSW19-02 1 X X X 010-XX

PLATING: 8-Ag

COLOUR: A-Black
C-RED
J-GREY

MATERIAL:

NULL-CONTACT:C5210R-EH&
COVER:SPN STRIP
01-CONTACT:SUS-EH&
COVER:COPPER ALLOY

HEIGHT:
0-8.5 4-6.0
1-13.0 5-7.0
2-4.3 6-8.0
3-5.0

5	TERMINAL	BRASS	2	Ag COATING
4	COVER	COPPER ALLOY OR SPN STRIP	1	Si/NiCOATING
3	CASE	PA66	1	BLACK
2	CONTACT	SUS-EH OR C5210R-EH	1	CLEAR
1	STEM	PA66	1	ABOVE
NO.	PART NAME	MATERIAL	QTY	FINISHING

REV.	REVISION RECORD	DATE	GENERAL TOLERANCES	SCALE	NAME	DATE	PART NO:	DWG.NO:
A0	NEW RELEASE	21.01.13	LINEAR	1:1	Wang_ji	2024.11.25	WLSW19-021XXX010-XX	ENDE05
A1	ADD HEIGHT CODING OPTION	23.12.27	0.0±0.35		Ding_bo	2024.11.20		
A2	Cha H=6.70 To 6.30 Ref	24.11.13	X'REF±6'					
A3	Add P/N. TYPE		X'X' ±2'					

UNIT:mm	SIZE: A4	0.00±0.25	0.000±0.10
---------	----------	-----------	------------

APPROVED	DESIGNER	DRAWN	TITLE:
	Ding_an	Ding_bo	TACT SWITCH

REV: A3	SHEET: 1/1
---------	------------

