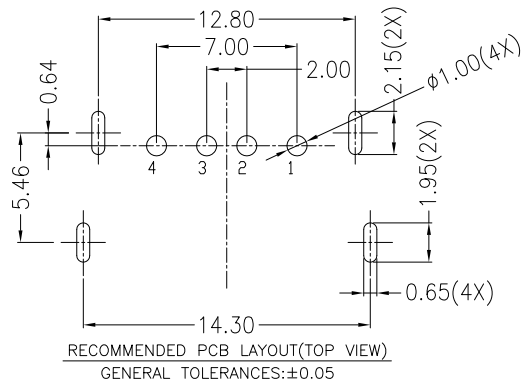
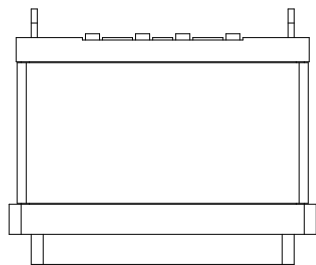
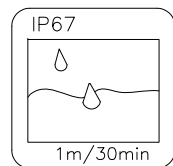
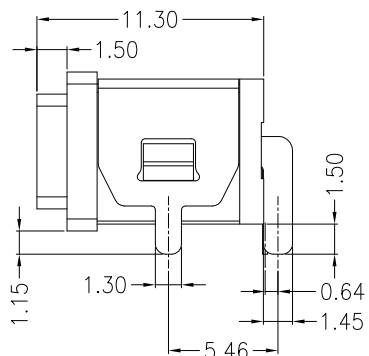
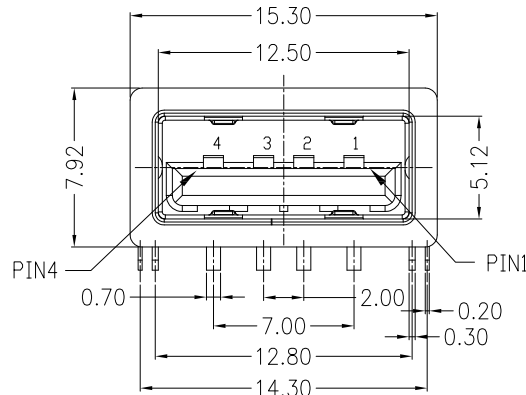


The product using material and processing must conform to the "WI-PZ-142"HSF technical standard control requirements

RoHS

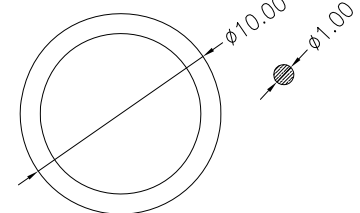
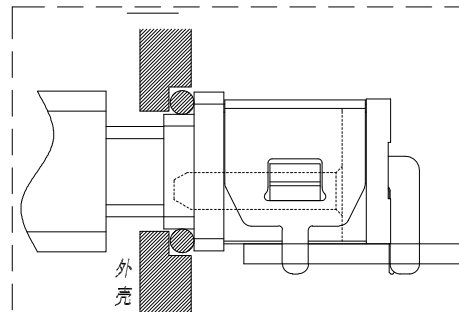


- NOTE:
- MATERIAL SPECIFICATION:
    - HOUSING: HING TEMPERATURE TNERMAPLASTICS
    - CONTACTS: COPPER ALLOY.
    - SHELL: STAINLESS STEEL.
  - PLATING SPECIFICATION:
    - CONTACTS:
      - GOLD FLASH PLATED ON CONTACT AREA,
      - TIN PLATED ON SOLDER TAILS AREA,
      - NICKEL UNDERPLATING OVER ALL.
    - SHELL:
      - Ni 50u"MIN. UNDER PLATED OVER ALL.
  - MECHANICAL PERFORMANCE:
    - INSERTION FORCE: 3.5kgf MAX
    - REMOVAL FORCE: 0.8kgf MIN
    - DURABILITY: 3000 CYCLES.
  - ELECTRICAL PERFORMANCE:
    - CURRENT RATING: 1.5A
    - VOLTAGE RATING: 5V MAX
    - CONTACT RESISTANCE: 30m Ohm MAX.
    - INSULATION RESISTANCE: 100MΩ MIN
    - DIELECTRIC WITHSTANDING VOLTAGE: 100V AC MIN.
  - ENVIRONMENTAL PERFORMANCE:
    - OPERATING TEMPERATURE: -30°C~+85°C.




PIN ASSIGNMENT

PIN NO.	1	2	3	4
SINGAL NAME	VBUS	D-	D+	GND



注: 防水圈是圆形截面, 直径为1.0mm的硅胶圈, 防水圈挤压量, 由1.0mm挤压到0.4mm-0.5mm, 防水效果好

REV.	REVISION RECORD	DATE	GENERAL TOLERANCES		SCALE:	NAME	DATE	PART.NO:	DWG.NO:	 WanLian Technology Co., Ltd
A0	NEW RELEASE	21.05.19	LINEAR	ANGLES	1:1	Wang_jr	21.05.19	WLU2F9-0411A1075	ENDE05	
			0.0±0.35	X'REF±6°	APPROVED	Ding_bo	21.05.19	TITLE: USB2.0 A TYPE 卧式反向 防水IP67		REV: A0 SHEET: 1/1
			0.00±0.25	X'±3°	DESIGNER	Ou_jian	21.05.19			
			0.000±0.10	X'X' ±2°	DRAWN					