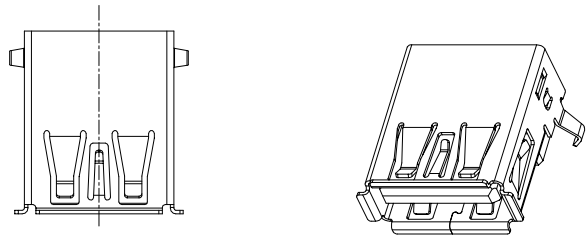


The product using material and processing must conform to the "WL-PZ-001" HSF technical standard control requirements

RoHS+HF

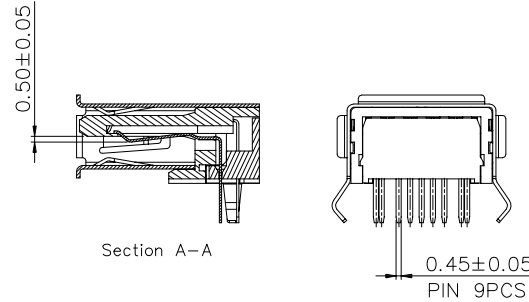
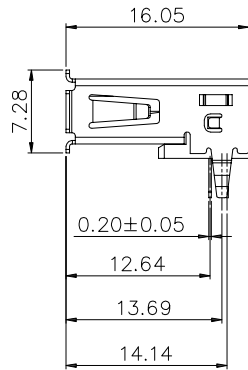
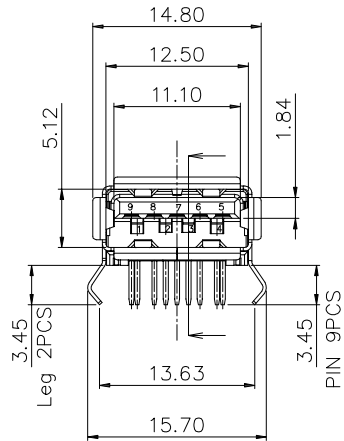


USB 3.0 Pin ASSIGNMENTS

Pin No.	SIGNAL NAME	Pin No.	SIGNAL NAME
1	VBUS	5	SSRX-
2	D-	6	SSRX+
3	D+	7	GND
4	GND	8	SSTX-
SHELL	SHIELD	9	SSTX+

NOTES:

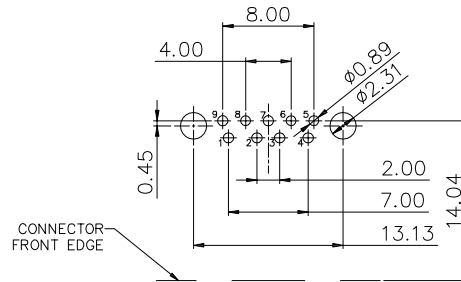
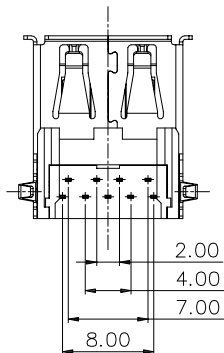
- MATERIAL
 - HOUSING: LCP E130I BLUE UL94V-0;
 - SHELL: SUS201 T=0.3mm;
 - CONTACT: BRASS C2680 T=0.2mm.
- FINISH
 - SHELL: 50μ" MIN. NICKEL PLATING OVERALL.
 - CONTACT: GOLD SELECTED PLATING ON CONTACT AREA; 80μ" MIN. MATTE-TIN PLATING ON SOLDER AREA; 50μ" MIN. NICKEL UNDERPLATING OVERALL.
- ELECTRICAL
 - VOLTAGE CURRENT RATING: 1A,30VAC(rms);
 - INSULATION RESISTANCE: 1000MΩ MIN.;
 - CONTACT RESISTANCE: 30mΩ MAX.;
 - DIELECTRIC WITHSTANDING VOLTAGE: 500VAC.;
- MECHANICAL
 - MATING FORCE: 3.57Kgf(35N) MAX.;
 - UNMATING FORCE: 1.02Kgf(10N) MIN.;
 - DURABILITY: 5000 CYCLES.



5.P/N: WL U3 F 9-09 1 6 A 0 222

CONNECTOR: U3-USB3.0
 MALE FEMALE: F-FEMALE
 ANGLE: 9-90°
 PIN Q'PY: 09PIN

COLOR: A-BLACK
 PLATING: 1-G/F, 3-5U", 5-15U", 6-30U"
 TERMIPOINT: 1-DIP



RECOMMENDED PCB LAYOUT
 TOP VIEW (COMPONENT SIDE) PCB
 ALL DIMENSION TOLERANCE ARE ±0.05 UNLESS OTHERWISE SPECIFIED
 SCALE 1:1

WLU3F9-0916A0222	30u" Au Plating On Contact Area
WLU3F9-0915A0222	15u" Au Plating On Contact Area
WLU3F9-0913A0222	5u" Au Plating On Contact Area
WLU3F9-0911A0222	1u" Au Plating On Contact Area
P/N	DFSCRIPTION

REV.	REVISION RECORD	DATE	GENERAL TOLERANCES		SCALE:	NAME	DATE	PART.NO:	DWG.NO:	 WanLian Teconology Co., Ltd
AO	NEW RELEASE	22.05.09	LINEAR	ANGLES	1:1	Wang_jr	22.05.09	WLU3F9-0916A0222	ENDE05	
			0.0±0.35	X'REF±6°		DESIGNER	Han_Gao	22.05.09	TITLE:	REV: A0
			UNIT:mm	X'±3°		DRAWN	LanXuan_Hou	22.05.09	RJ45+Single USB3.0 Single USB3.0	SHEET: 1/1
			SIZE: A4	0.000±0.10						