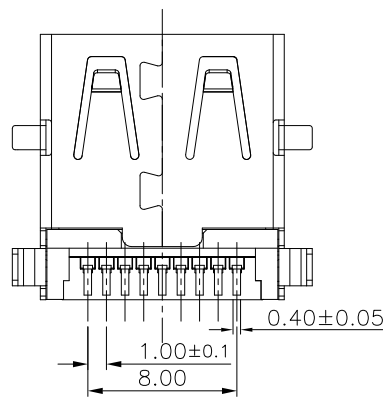
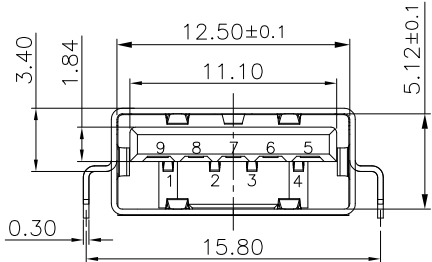
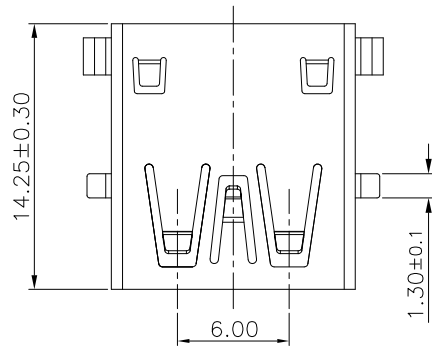
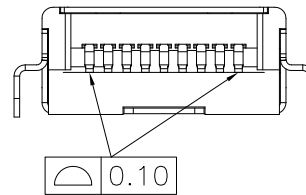
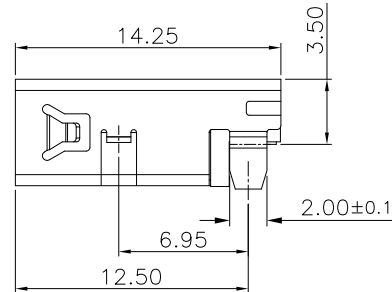


The product using material and processing must conform to the "WL-PZ-142"HSF technical standard control requirements

RoHS



Pin NUMBER	SIGNAL NAME	Pin NUMBER	SIGNAL NAME
1	VBUS	5	StdA_SSRX-
2	D-	6	StdA_SSRX+
3	D+	7	GND_DRAIN
4	GND	8	StdA_SSTX-
		9	StdA_SSTX+
SHELL	SHIELD	SHELL	SHIELD

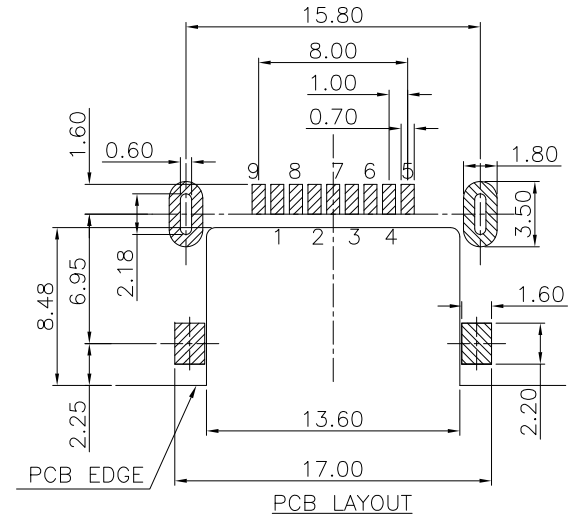


P/N:
WLU3F9-09 8 X X X 109

PLATING:
1-G/F
2-Au 3u"
5-Au 15u"
6-Au 30u"

SHELL:
1-SPCC
2-Copper Alloy
3-Stainless Steel

Housing Colour:
A-Black
G-Blue



NOTE:
1.MATERIAL SPECIFICATION:
1-1.HOUSING:LCP BLUE UL94V-0
1-2.CONTACTS:C2680.
1-3.SHELL:STAINLESS STEEL.
2.PLATING SPECIFICATION:
2-1.CONTACTS:
Ni 50u" MIN. UNDER PLATED OVER ALL.
Sn 80u"MIN ON SOLDER AREA
Au PLATED ON THE CONTACTS AREA.
2-2. SHELL:
Ni 80u" MIN. UNDER PLATED OVER ALL.
3.MECHANICAL PERFORMANCE:
3-1.INSERTION FORCE: 3.57kgf MAX
3-2.REMOVAL FORCE: 1.02kgf MIN
3-3.DURABILITY: 5000 CYCLES.
4.ELECTRICAL PERFORMANCE:
4-1.CURRENT RATING:1.5A
4-2.VOLTAGE RATING:30V MAX
4-3.CONTACT RESISTANCE: 30mΩ MAX.
4-4.INSULATION RESISTANCE: 1000MΩ MIN
4-5.DIELECTRIC WITHSTANDING VOLTAGE: 100V AC MIN.
5.ENVIRONMENTAL PERFORMANCE:
OPERATING TEMPERATURE: -40°C~+85°C.
6.PACKAGE SPEC: TRAY

REV.	REVISION RECORD	DATE	GENERAL TOLERANCES		SCALE: 1:1	NAME	DATE	PART.NO:	DWG.NO:	 WanLian Technology Co., Ltd	
A0	NEW RELEASE	21.01.13	LINEAR	ANGLES	APPROVED	Wang_jr	21.01.13	WLU3F9-098XXX109	ENDE05		
			0.0±0.35	X°REF±6°	DESIGNER	Han_Gao	21.01.13	TITLE:			
			UNIT:mm	0.00±0.25	X°±3°	DRAWN	Zijun_Huang	21.01.13	USB3.0 A TYPE 9P/F SMT H=3.5mm		REV: A0
			SIZE: A4	0.000±0.10	X°X' ±2°						