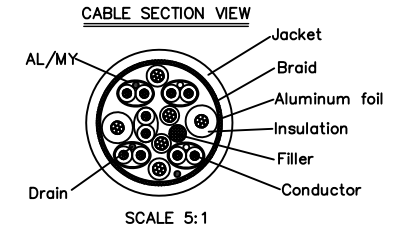
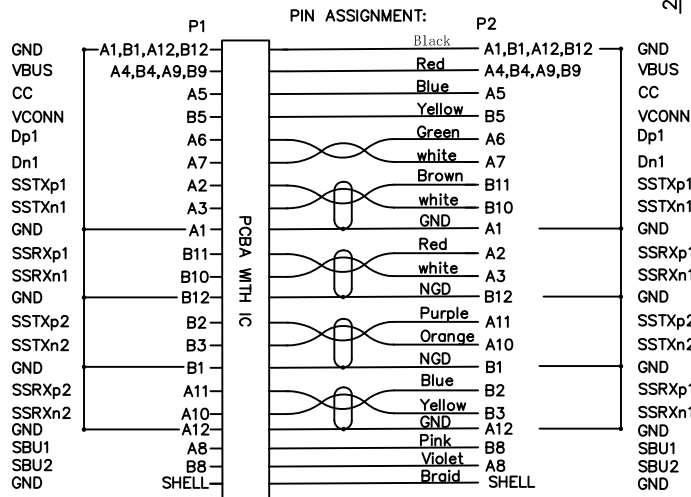
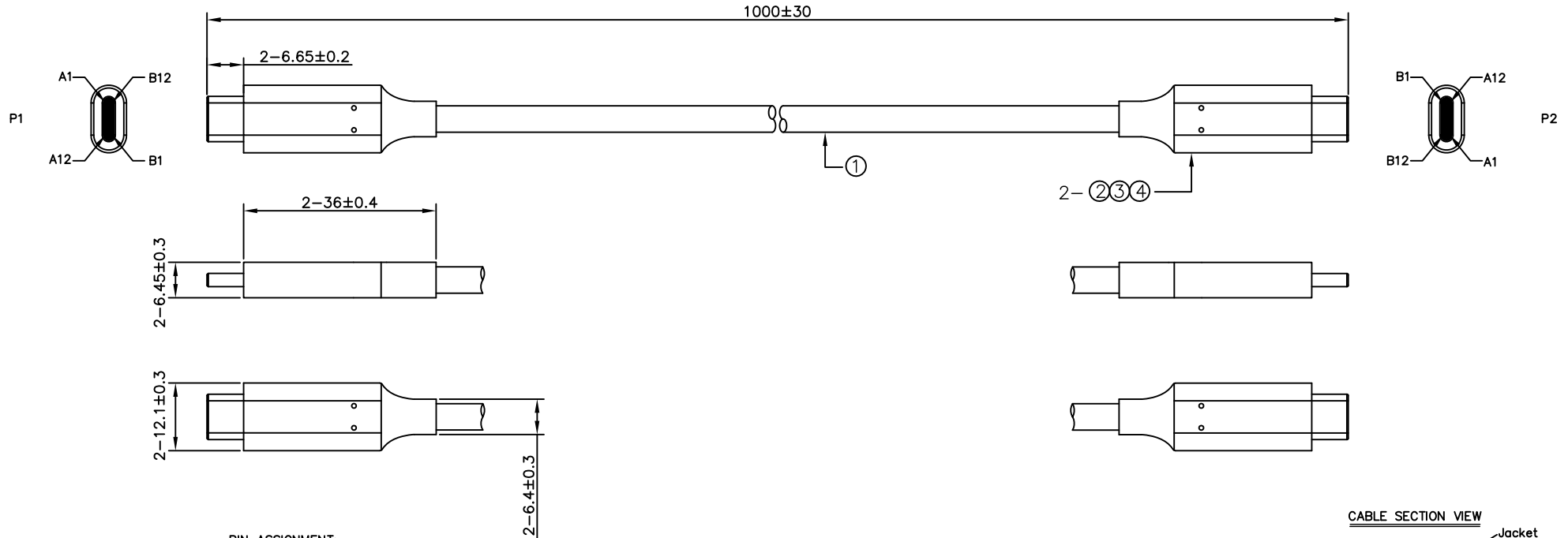


RoHS Compliant

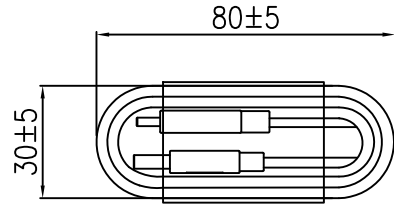


- ELECTRICAL TEST:**
1. OPEN/SHORT/INTERMITTENCE: 100%;
  2. HI-POT: 300V DC/SEC
  3. INSULATION RESISTANCE: 10MΩMIN DC 300V/0.01S
  4. CURRENT 2A MAX
  5. CONDUCTION TEST 2 Ohm.

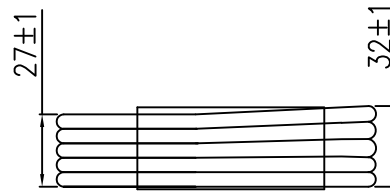
NO.	PART NAME	SPECIFICATION	STANDARD	QT'Y
④	OUTER MOLDING	PLASTIC,PVC ,BLACK,45P		10G
③	INNER MOLDING	LD-PE (M1850A )		5G
②	TYPE C	USB C TYPE MALE CONN .WITH ASSEMBY SHELL CONTACT AU SHELL NICKEL INSULATION BLACK UL94V-0		2SET
①	RAW CABLE	USB3.1(7/0.08TC*1P+D+AL+MY)*4P+7/0.08TC*1P+7/0.08TC*4C+7/0.20TC*2C+AB OD4.8mm JACKET:PVC BLACK		1M

MARK	REV.	DATE	DESCRIPTION	CHK.	APPD.	单位 UNIT	mm	一般公差 GENERAL TOLERANCE	绘图 DR.	审核 CHK.	核准 APPD.	品名 TITLE	料号 PART NO.	文件编号 NUMBER	比例 SCALE	SHEET	版次 REV.
△ X	X0	20.08.20	NEW EDITION	wyj	Joshua			X.X ±0.15 X.XX ±0.05 X.XXX ±0.02	wyj	Joshua	Joshua	JCTC® Shenglan Technology Co LTD TERMINAL & CONNECTORS	JCT007-F001	ENDCA08	1/1	1/1	X0
								X* ±2* X.X* ±1* ▲ MAJOR DIM.				Type C to C 3.1with E-marker L=1M					

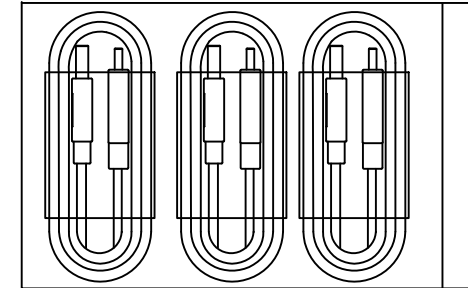
RoHS Compliant



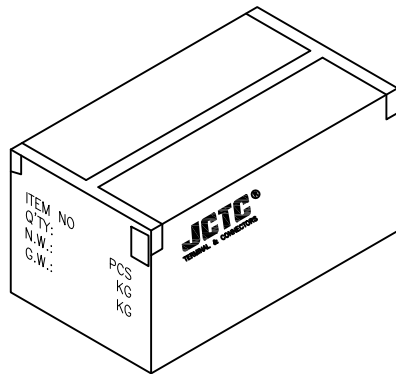
1. Finished product winding, OPP film binding wire width 45mm max, Length 85mm max;



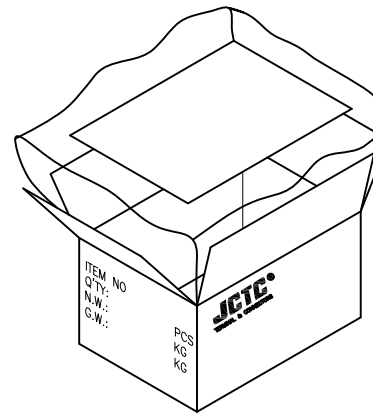
2. The thickness of both ends of the finished product is inconsistent, as shown in the figure above;



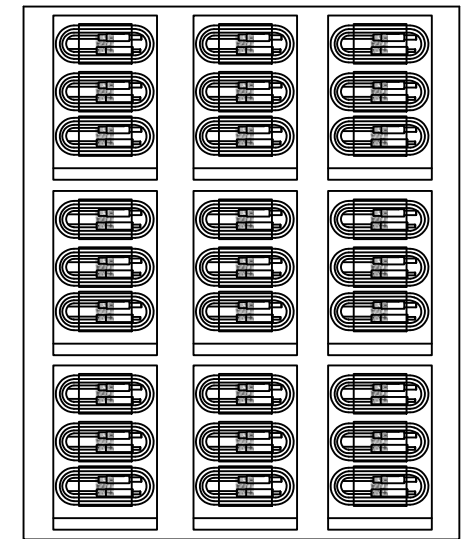
3. PE bag specification: 250 \* 110, each PE bag is put into 3pcs products;



6. The adhesive tape used to seal the carton must be transparent without silk screen printing. When sealing the carton, the adhesive tape shall be of I-shape



5. As shown in the figure, put the waterproof bag into the box and put it on the bottom first Put a partition into the part, and then put the product on the partition, Two layers of products are placed between each partition board, and each box has five compartments Board, 216pcs in each bo



4. Lay 2 layers of products on each partition board, and put 9 bags of products in each layer, totally 27 pcs of products are placed on each partition board;

						一般公差 GENERAL TOLERANCE		绘图 RD.	wyj	<b>Shenglan Technology Co LTD</b> <small>TERMINAL &amp; CONNECTORS</small>	料号 PART NO.		
						X.X ±0.15	X°	校对 CHK.	wyj		JCT007-F001		
						X.XX ±0.05	XX°	审核 CHK.	Joshua	文件编号 NUMBER			
						X.XX X ±0.02	▲ MAJOR DIM.	核准 APPD.	Joshua	ENDCA08			
△ X	XO	20.08.20	NEW EDITION	wyj	Joshua	单位 UNIT		品名 TITLE			比例 SCALE		
MARK	REV.	DATE	DESCRIPTION	CHK.	APPD.	mm		Type C to C 3.1with E-marker L=1M			SHEET	版次 REV	
											1:1	1/1	X0