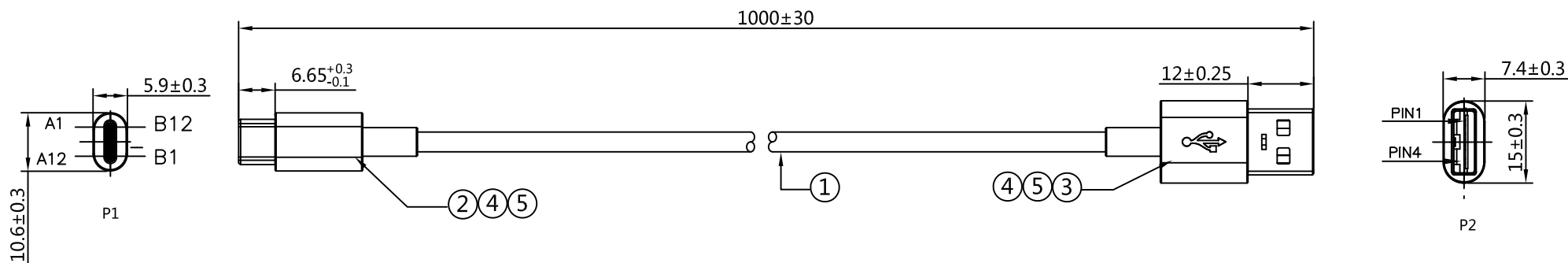


RoHS Compliant



Connection table

| | | |
|---------------|-------|----------|
| P1 | | P2 |
| A4+B4+A9+B9 | VBUS | RED 1 |
| A5 | 56K | |
| A6 | D+ | GREEN 3 |
| A7 | D- | WHITE 2 |
| A1+B1+A12+B12 | GND | YELLOW 4 |
| SHELL | BRAID | SHELL |

ELECTRICAL TEST:

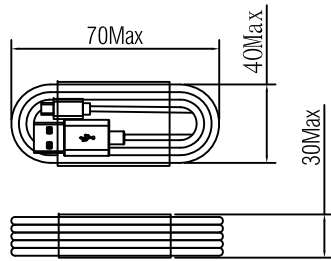
1. OPEN OR SHORT,INTERMITTENCE 100% TEST
2. HI-POT:300V DC/0.1SEC
3. INSULATION RESISTANCE:10MΩ MIN
4. CURRENT: 3A MAX.
5. CONDUCTIVE RESISTANCE:2Ω MAX.

| | | | |
|-----|---------------|---|------|
| ⑤ | OUTER MOLDING | TPE BLACK | 8G |
| ④ | INNER MOLDING | LD-PE | 4G |
| ③ | USB AM | USB A TYPE PLASTIC WHITE, CONTACT PLATED G/F, SHELL PLATED NICKEL | 1SET |
| ② | TYPE-C PLUG | TYPE C 2.0 PLASTIC BLACK ,UL 94V-0 CONTACT PLATED G/F, WITH PCBA Rp 56KΩ , SHELL PLATED NICKEL. | 1SET |
| ① | RAW CABLE | USB2.0 28AWG*2C+24AWG*1C+22AWG*1C+AB OD:3.6±0.15mm TPE JACKET COLOR: BLACK | 1M |
| NO. | NAME | SPECIFICATION STANDARD | QTY |

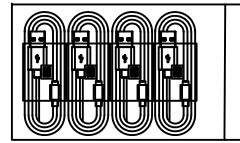
| | | | | | | | | | | | |
|------|------|----------|-------------|------------------------|--------------|-----------------------------|-------|--|-------------|--|--|
| | | | | 一般公差 GENERAL TOLERANCE | | 绘图 DR. | wyj | | 料号 PART NO. | | |
| | | | | X.X ±0.5 | X' ±10' | 校对 CHK. | wyj | | JCT024-F001 | | |
| | | | | X.XX ±0.3 | X.X' ±5' | 审核 CHK. | Josha | | 文件编号 NUMBER | | |
| | | | | X.XXX ±0.2 | ▲ MAJOR DIM. | 核准 APPD. | Josha | | ENDCA08 | | |
| △ X | X0 | 18.12.29 | NEW EDITION | wyj | Josha | 品名 TITLE | | | 比例 SCALE | | |
| MARK | REV. | DATE | DESCRIPTION | CHK. | APPD. | USB2.0 A to Type C L=1000mm | | | SHEET | | |
| | | | | 单位 UNIT | mm | | | | 1:1 | | |
| | | | | | | | | | 版次 REV. | | |
| | | | | | | | | | X0 | | |

JCTC Shenglan Technology Co LTD
TERMINAL & CONNECTORS

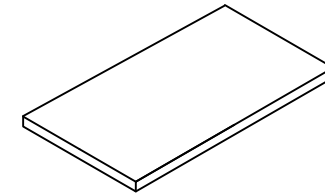
RoHS Compliant



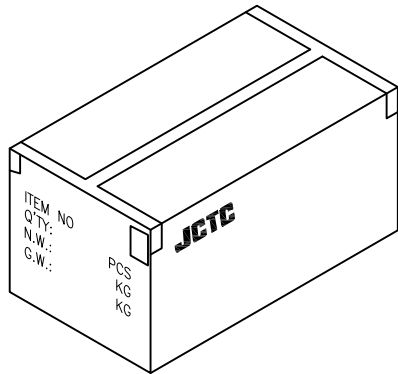
1. PET film binding;



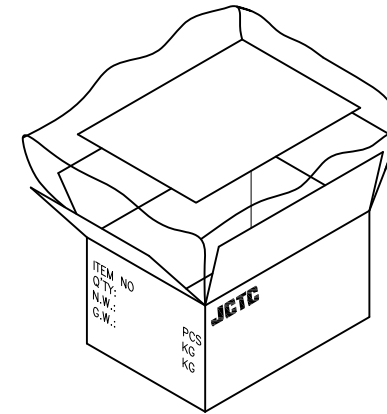
2. Each 4 pcs of finished products are put into a PE bag and sealed with transparent tape;




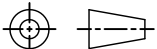
3. Take 1 pcs diaphragm;



5. Put 2 bags of desiccant in each box, seal the box with transparent tape, seal the zero number box with yellow tape, and fill it with foam and other fillers.



4. Carton size: L: 380mm * W: 320mm * H: 280mm; The waterproof bag is placed in the outer box in 9 layers with 40 PCs in each layer; each layer is separated by partition board, with a total of 360pcs / box;

| | | | | | | | | | | | | | | | |
|------|------|----------|-------------|------|--------|------------------------|--|----------|--------|---|----------|-----|-------------|---------|--|
| | | | | | | 一般公差 GENERAL TOLERANCE | | 绘图 DR. | wyj |  Shenglan Technology Co LTD <small>TERMINAL & CONNECTORS</small> | | | 料号 PART NO. | | |
| | | | | | | X.X ±0.15 | X' ±2' | 校对 CHK. | wyj | | | | JCT024-F001 | | |
| | | | | | | X.XX ±0.05 | X.X' ±1' | 审核 CHK. | Joshua | 品名 TITLE | | | 文件编号 NUMBER | | |
| | | | | | | X.XXX ±0.02 | ▲ MAJOR DIM. | 核准 APPD. | Joshua | USB2.0 A to Type C L=1000mm | | | ENDCA08 | | |
| | | | | | | 单位 UNIT |  | | | | 比例 SCALE | | SHEET | 版次 REV. | |
| △ X | X0 | 18.12.29 | NEW EDITION | wyj | Joshua | mm | | | | 1:1 | | 1/1 | X0 | | |
| MARK | REV. | DATE | DESCRIPTION | CHK. | APPD. | | | | | | | | | | |