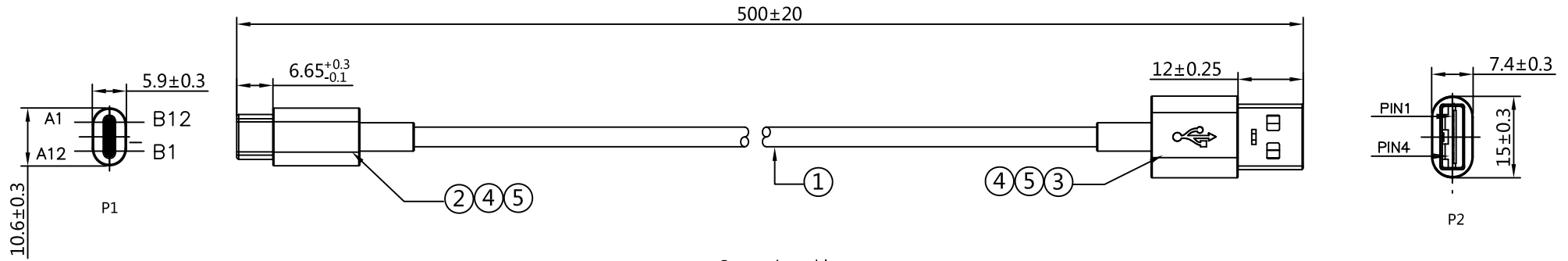
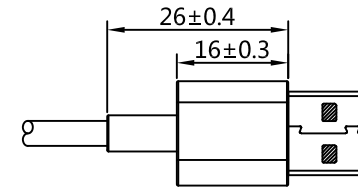


RoHS Compliant



Connection table

P1	VBUS	RED	P2	1
A4+B4+A9+B9	56K			
A5	D+	GREEN		3
A6	D-	WHITE		2
A7	GND	YELLOW		4
A1+B1+A12+B12				
SHELL	BRAID		SHELL	



ELECTRICAL TEST:

1. OPEN OR SHORT,INTERMITTENCE 100% TEST
2. HI-POT:300V DC/0.1SEC
3. INSULATION RESISTANCE:10MΩ MIN
4. CURRENT: 3A MAX.
5. CONDUCTIVE RESISTANCE:2Ω MAX.

⑤	OUTER MOLDING	TPE WHITE	8G
④	INNER MOLDING	LD-PE	4G
③	USB AM	USB A TYPE PLASTIC WHITE, CONTACT PLATED G/F, SHELL PLATED NICKEL	1SET
②	TYPE-C PLUG	TYPE C 2.0 PLASTIC BLACK ,UL 94V-0 CONTACT PLATED G/F, WITH PCBA Rp 56KΩ , SHELL PLATED NICKEL.	1SET
①	RAW CABLE	USB2.0 30AWG*2C+24AWG*2C+AB OD:3.6±0.15mm TPE JACKET COLOR: WHITE	0.5M
NO.	NAME	SPECIFICATION STANDARD	QTY

一般公差 GENERAL TOLERANCE

X.X ±0.5	X' ±10'
X.XX ±0.3	X.X' ±5'
X.XXX ±0.2	▲ MAJOR DIM.

绘图 DR. wyj
校对 CHK. wyj
审核 CHK. Josha
核准 APPD. Josha

JCTC® Shenglan Technology Co LTD
TERMINAL & CONNECTORS

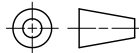
料号 PART NO.
JCT024-F005

文件编号 NUMBER
ENDCA08

品名 TITLE
USB2.0 A to Type C L=500mm

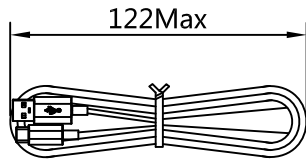
比例 SCALE	SHEET	版次 REV.
1:1	1/1	X0

单位 UNIT
mm

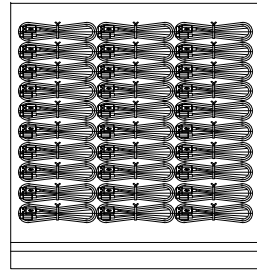


△ X	X0	18.12.29	NEW EDITION	wyj	Josha
MARK	REV.	DATE	DESCRIPTION	CHK.	APPD.

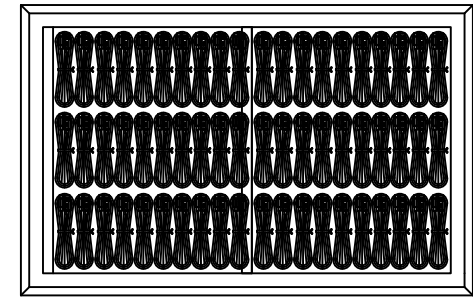
RoHS Compliant



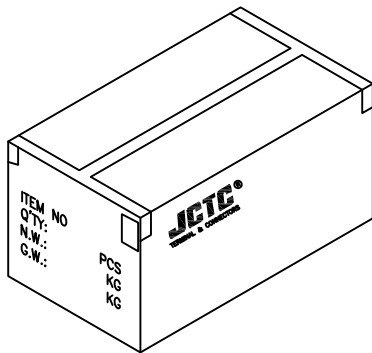
1. The product is wound into 8-shaped shape and fixed with mini-strap



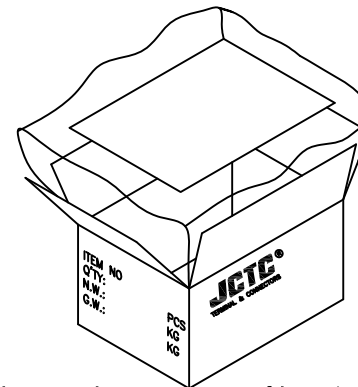
2. 30PCS per bag Folding bags are sealed with transparent glue.



3. Each layer put 4 bag*30=120PCS[REF]



5. Put 2 bags of each box, desiccant, transparent tape sealing, zero use yellow tape sealing box, full with foam and filling material;
6. The cartons side need to plant labels;
7. All materials meet ROHS requirements.



4. As shown, the waterproof bag is placed outside the box to put 1 PCS per each layer partition, a case of 5 * 120 PCS = 600 PCS/box[REF] ;
Carton size: 380 mm (L) (W) * 280 mm * 320 mm (H) [REF]

						一般公差 GENERAL TOLERANCE		绘图 DR.		JCTC® Shenglan Technology Co LTD TERMINAL & CONNECTORS 料号 PART NO. JCT024-F005 文件编号 NUMBER ENDCA08		
						X.X ±0.5	X' ±10'	校对 CHK.				
						X.XX ±0.3	X.X' ±5'	审核 CHK.		品名 TITLE USB2.0 A to Type C L=500mm 比例 SCALE 1:1 SHEET 1/1 版次 REV. X0		
						X.XXX ±0.2	▲ MAJOR DIM.	核准 APPD.				
△ X	X0	18.12.29	NEW EDITION	wyj	Josha	单位 UNIT		核 准				
MARK	REV.	DATE	DESCRIPTION	CHK.	APPD.	mm		Josha				