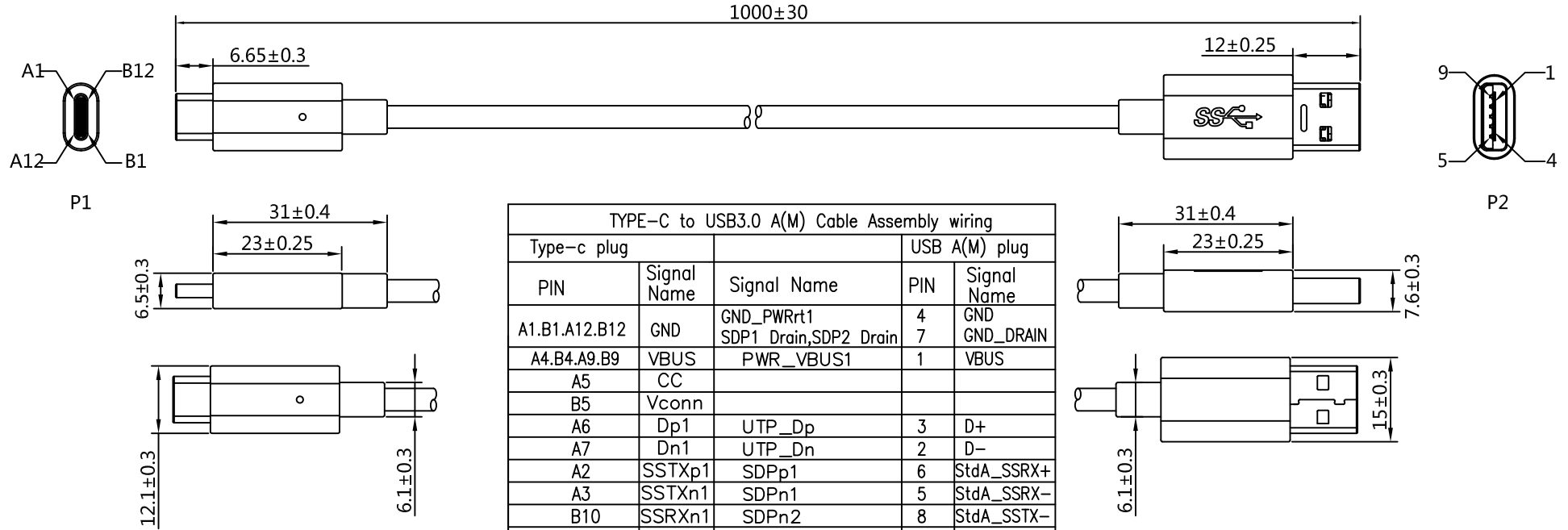


RoHS Compliant



TYPE-C to USB3.0 A(M) Cable Assembly wiring				
Type-c plug		USB A(M) plug		
PIN	Signal Name	Signal Name	PIN	Signal Name
A1.B1.A12.B12	GND	GND_PWRrt1 SDP1 Drain,SDP2 Drain	4 7	GND GND_DRAIN
A4.B4.A9.B9	VBUS	PWR_VBUS1	1	VBUS
A5	CC			
B5	Vconn			
A6	Dp1	UTP_Dp	3	D+
A7	Dn1	UTP_Dn	2	D-
A2	SSTXp1	SDPp1	6	StdA_SSRX+
A3	SSTXn1	SDPn1	5	StdA_SSRX-
B10	SSRXn1	SDPn2	8	StdA_SSTX-
B11	SSRXp1	SDPp2	9	StdA_SSTX+
SHELL	Shield	Shield	SHELL	Shield

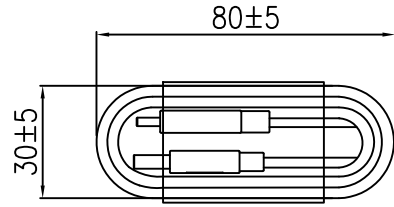
ELECTRICAL TEST:

1. OPEN/SHORT/INTERMITTENCE:100%
2. HI-POT:300V DC/SEC
3. INSULATION RESISTANCE:10MΩ Min, DC 300V/0.01S
4. CURRENT: 2A Max.
5. CONDUCTION TEST: 1Ω MAX.

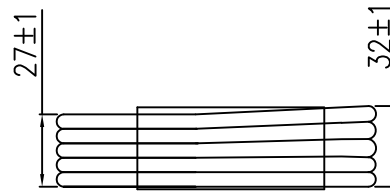
⑤	OUTER MOLDING	BLACK 45P PVC	
④	INNER MOLDING	LD-PE	8G
③	USB AM	USB A TYPE PLASTIC BLUE,CONTACT PLATED G/F, SHELL PLATED NICKEL	4G 1SET
②	TYPE C	TYPE C3.0 PIN NEEDLE PLATED G/F,NICKEL PLATED CASE THECORE IS BLACK Rp=56K OHM,C1=10nf+SHIELD	1SET
①	RAW CABLE	USB3.0 (7/0.08T*1P+D+AL+MY)*2C+32AWG*1P+24AWG *2C +AB OD:4.2mm PVC JACKET COLOR:BLACK	1M
NO.	NAME	SPECIFICATION STANDARD	QTY

MARK	REV.	DATE	DESCRIPTION	CHK.	APPD.	单位UNIT	mm	一般公差 GENERAL TOLERANCE	绘图 DR.	审核 APPD.	核准 APPD.	品名 TITLE	料号 PART NO.	文件编号 NUMBER	比例 SCALE	SHEET	版次 REV.
△ X	X0	19.06.20	NEW EDITION	wyj	Joshua			X.X ±0.15 X.XX ±0.05 X.XXX ±0.02	X* ±2* X.X* ±1* ▲ MAJOR DIM.	wyj	Joshua	JCTC® Shenglan Technology Co LTD TERMINAL & CONNECTORS	JCT038-F001	ENDCA08	1:1	1/1	AO
												USB3.0 A to Type C L=1000mm					

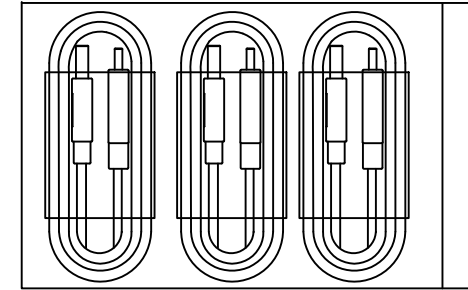
RoHS Compliant



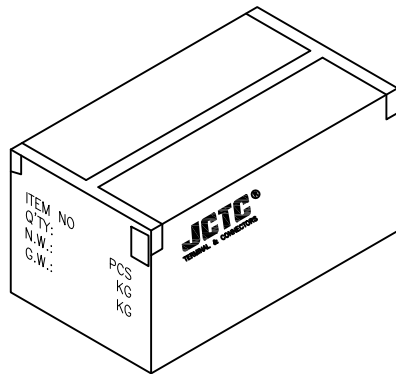
1. Finished product winding, OPP film binding wire width 45mm max, Length 85mm max;



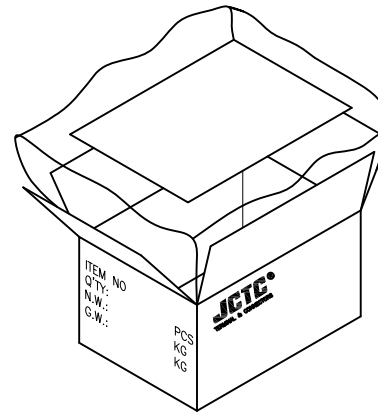
2. The thickness of both ends of the finished product is inconsistent, as shown in the figure above;



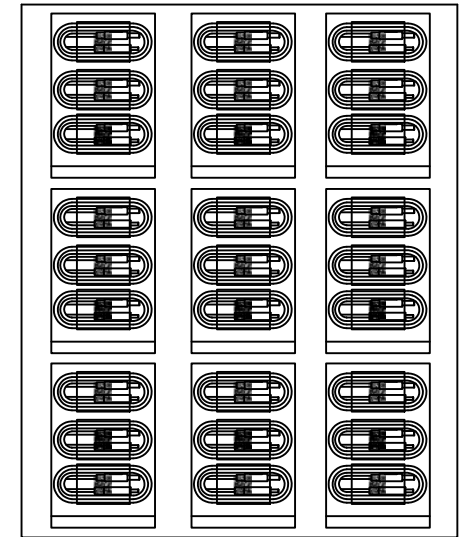
3. PE bag specification: 250 \* 110, each PE bag is put into 3pcs products;



6. The adhesive tape used to seal the carton must be transparent without silk screen printing. When sealing the carton, the adhesive tape shall be of I-shape



5. As shown in the figure, put the waterproof bag into the box and put it on the bottom first Put a partition into the part, and then put the product on the partition, Two layers of products are placed between each partition board, and each box has five compartments Board, 216pcs in each bo



4. Lay 2 layers of products on each partition board, and put 9 bags of products in each layer, totally 27 pcs of products are placed on each partition board;

						一般公差 GENERAL TOLERANCE		绘图 RD. wyj		<b>Shenglan Technology Co LTD</b> 料号 PART NO. JCT038-F001		
						X.X ±0.15	X°	校对 CHK. wyj				
						X.XX ±0.05	XX°	审核 CHK. Josha		ENDCA08		
						X.XX X ±0.02	▲ MAJOR DIM.	核准 APPD. Josha		品名 TITLE		
						单位 UNIT mm				USB3.0 A to Type C L=1000mm		
△ X	XO	20.08.20	NEW EDITION	wyj	Josha					比例 SCALE SHEET 版次 REV		
MARK	REV.	DATE	DESCRIPTION	CHK.	APPD.					1:1 1/1 X0		