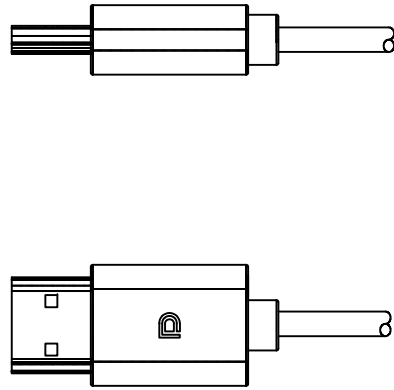
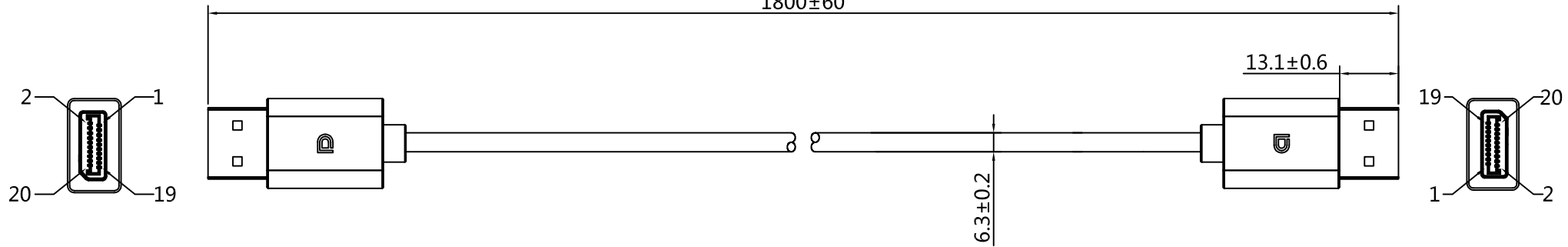
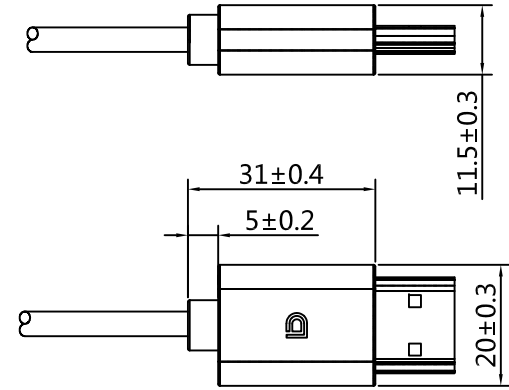


RoHS Compliant



| CIRCUIT DIAGRAM | | |
|-----------------|--------------|------|
| P1 | WIRE COLOR | P2 |
| 1 | WHITE | 12 |
| 3 | BROWN | 10 |
| 2 | GND | 11 |
| 4 | YELLOW | 9 |
| 6 | WHITE | 7 |
| 5 | GND | 8 |
| 7 | WHITE | 6 |
| 9 | BLUE | 4 |
| 8 | GND | 5 |
| 10 | RED | 3 |
| 12 | WHITE | 1 |
| 11 | GND | 2 |
| 15 | WHITE | 15 |
| 17 | GREEN | 17 |
| 16 | GND | 16 |
| 13 | BLACK | 13 |
| 14 | BROWN | 14 |
| 18 | YELLOW | 18 |
| 19 | ORANGE | 19 |
| CASE | BRAID SHIELD | CASE |

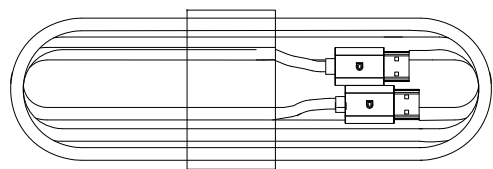
P20pin Without welding wire



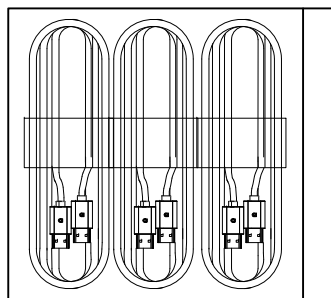
- ELECTRICAL TEST:
1. OPEN/SHORT/INTERMITTENCE:100%
 2. HI-POT:300V DC/SEC
 3. INSULATION RESISTANCE:10MΩ Min, DC 300V/0.01S
 4. CONDUCTION TEST: 2Ω MAX.
 - 5.Characteristic impedance:100±10 ohm

| | | | | | | | | | | | | | | | |
|------|------|----------|-------------|------|--------|------------------------|--------------|---------------------------------------|--------|---|----------|-------|-------------|--|--|
| | | | | | | 一般公差 GENERAL TOLERANCE | | 绘图 DR. | wyj | JCTC® Shenglan Technology Co LTD <small>TERMINAL & CONNECTORS</small> | | | 料号 PART NO. | | |
| | | | | | | X.X ±0.5 | X' ±10' | 校对 CHK. | wyj | | | | JCT130-F001 | | |
| | | | | | | X.XX ±0.3 | X.X' ±5' | 审核 CHK. | Joshua | 文件编号 NUMBER | | | | | |
| | | | | | | X.XXX ±0.2 | ▲ MAJOR DIM. | 核准 APPD. | Joshua | 品名 TITLE | | | | | |
| △ X | X0 | 20.06.29 | NEW EDITION | wyj | Joshua | 单位 UNIT | | DP20PIN/M TO DP20PIN/M CABLE L:1800mm | | | 比例 SCALE | SHEET | 版次 REV. | | |
| MARK | REV. | DATE | DESCRIPTION | CHK. | APPD. | mm | | | | | 1:1 | 1/1 | X0 | | |

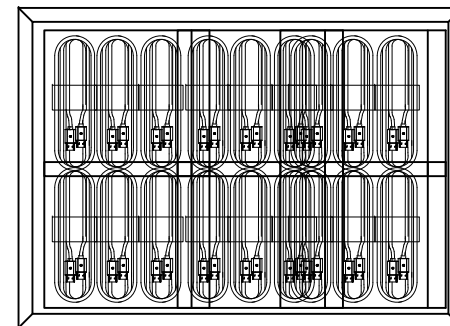
RoHS Compliant



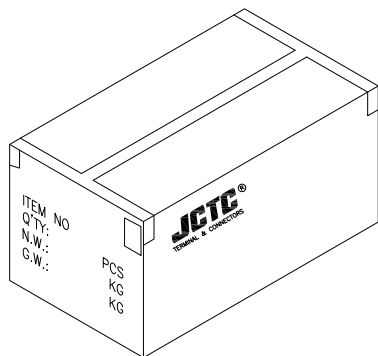
1. Tie the wire with silica gel;



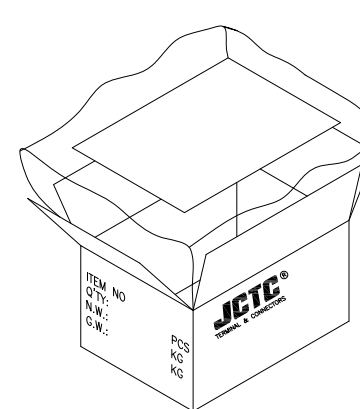
2. Each bag is packed with 3PCS, and the bag mouth is sealed with transparent glue,




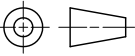
3. bags per layer 12 * 3 = 36PCS / layer It should be neatly arranged without messy extrusion;



5. Put 2 packs of desiccant in each box, seal the box with transparent tape, seal the box with yellow tape, and fill with foam and other fillers;
6. In-factory labels need to be attached to the sides of the carton;



4. As shown in the figure, place the waterproof bag in the outer box and put 1PCS separator on each layer, and 3 boxes in a box * 36PCS = 108PCS / box (RER); Carton specifications: 380mm (L) * 320mm (W) * 280mm (H) Material K = K

| | | | | | | | | | | | | | | | |
|------|------|----------|-------------|------|-------|------------------------|--|---------------------------------------|-------|---|----------|-------|-------------|--|--|
| | | | | | | 一般公差 GENERAL TOLERANCE | | 绘图 DR. | wyj |  Shenglan Technology Co LTD <small>TERMINAL & CONNECTORS</small> | | | 料号 PART NO. | | |
| | | | | | | X.X ±0.5 | X' ±10' | 校对 CHK. | wyj | | | | JCT130-F001 | | |
| | | | | | | X.XX ±0.3 | X.X' ±5' | 审核 CHK. | Josha | 文件编号 NUMBER | | | | | |
| | | | | | | X.XXX ±0.2 | ▲ MAJOR DIM. | 核准 APPD. | Josha | ENDCA08 | | | | | |
| △ X | X0 | 20.06.24 | NEW EDITION | wyj | Josha | 单位 UNIT |  | 品名 TITLE | | | 比例 SCALE | SHEET | 版次 REV. | | |
| MARK | REV. | DATE | DESCRIPTION | CHK. | APPD. | mm | | DP20PIN/M TO DP20PIN/M CABLE L:1800mm | | | 1:1 | 1/1 | X0 | | |
| A | | B | | C | | D | | E | | | F | | | | |