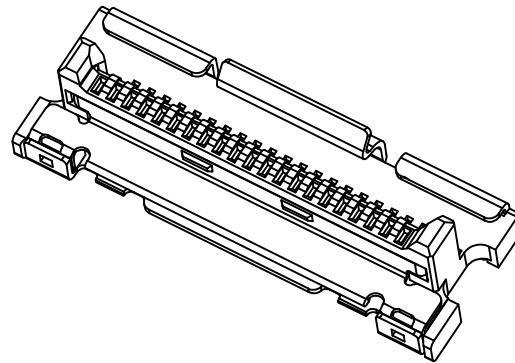
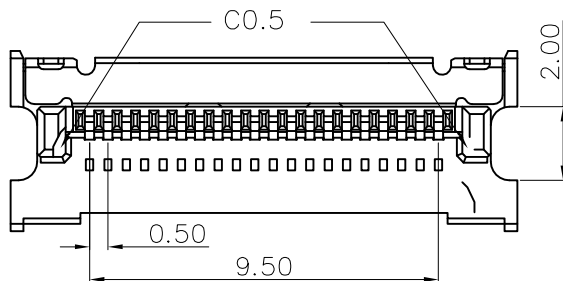
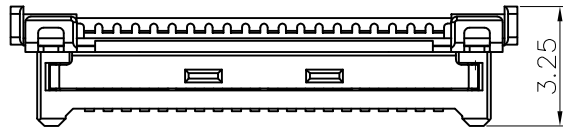
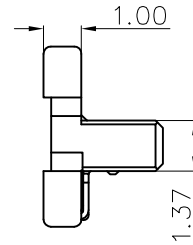
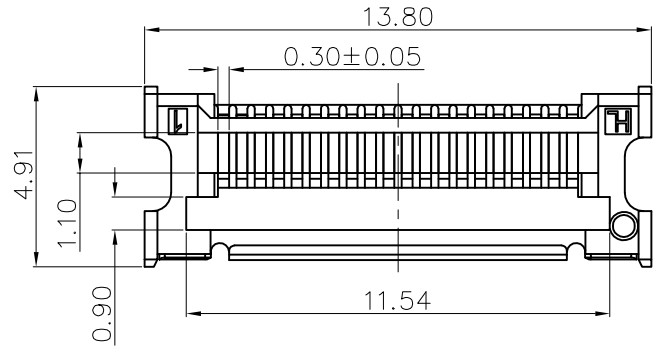
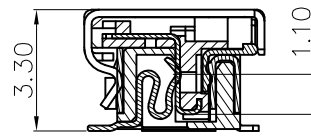
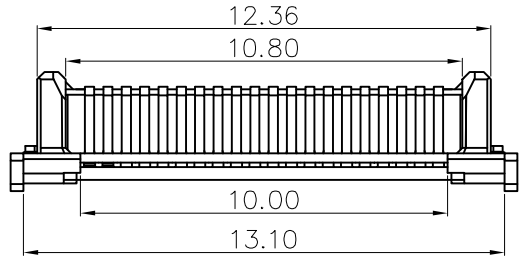


The product using material and processing must conform to the "WI-PZ-001"HSF technical standard control requirements

RoHS+HF



NOTE:

- 1.MATERIAL SPECIFICATION:
 - 1-1.HOUSING: LCP, 94V-0
 - 1-2.CONTACTS: PHOSPHOR BRONZE
 - 1-3.SHELL:PHOSPHER BRONZE
- 2.PLATING SPECIFICATION:
 - 2-1.TERMINAL:
 - AU PLATING 1~3U" OVER NICKLE UNDERPLATING 50U" MIN ON THE CONTACT AREA, AND GOLD FLASH OVER NICKLE UNDERPLATING 50U" MIN ON THE SOLDER AREA.
 - 2-2.LOWER SHELL:
 - TIN PLATING 120U" MIN UNDERPLATING NICKEL 50U" MIN.
 - 2-3.UPPER SHELL:NICKEL 30U" MIN
- 3.MECHANICAL PERFORMANCE:
 - 3-1.INSERTION FORCE: 3.0KGF/PIN MAX
 - 3-2.REMOVAL FORCE: 0.30KGF/PIN MIN
 - 3-3.DURABILITY: 30 CYCLES.
- 4.ELECTRICAL PERFORMANCE:
 - 4-1.CURRENT RATING: 0.5A
 - 4-2.VOLTAGE RATING: 10V
 - 4-3.CONTACT RESISTANCE: 80mΩ Max.
 - 4-4.INSULATION RESISTANCE: 100MΩ Max
 - 4-5.DIELECTRIC WITHSTANDING VOLTAGE: 150V AC/minute
- 5.ENVIRONMENTAL PERFORMANCE:
 - OPERATING TEMPERATURE: -55°C~+85°C.
- 6.PACKAGE SPEC:TRAY
- 7.P/N ORDER:

A0501 H M-1 XX X 0

SERIES NO: | H | M-1 | XX | X | 0

CONNECTOR: | H-HOUSING |

MALE FEMALE: | M-MALE |

COLOR: | A-BLACK | | K-WHITE | | S-NATURE |

PIN Q'PY: | 20 |

ROW NO: | 1-SINGLE ROW |

REV.	REVISION RECORD	DATE	UNIT:mm	GENERAL TOLERANCES		SCALE:	NAME	DATE	PART.NO:	DWG.NO:	 WanLian Teconology Co., Ltd
A0	NEW RELEASE	21.01.13		LINEAR	ANGLES	1:1	APPROVED	DESIGNER	DESIGNER	TITLE:	
			SIZE: A4	0.00±0.25	X'±3'		Han_Gao	21.01.13	A0501HM-1XXX0	ENDE05	
				0.00±0.10	X'X' ±2'		Zijun_Huang	21.01.13	Pitch0.50mm 3.3H 20CKT LVDS PLUG		

