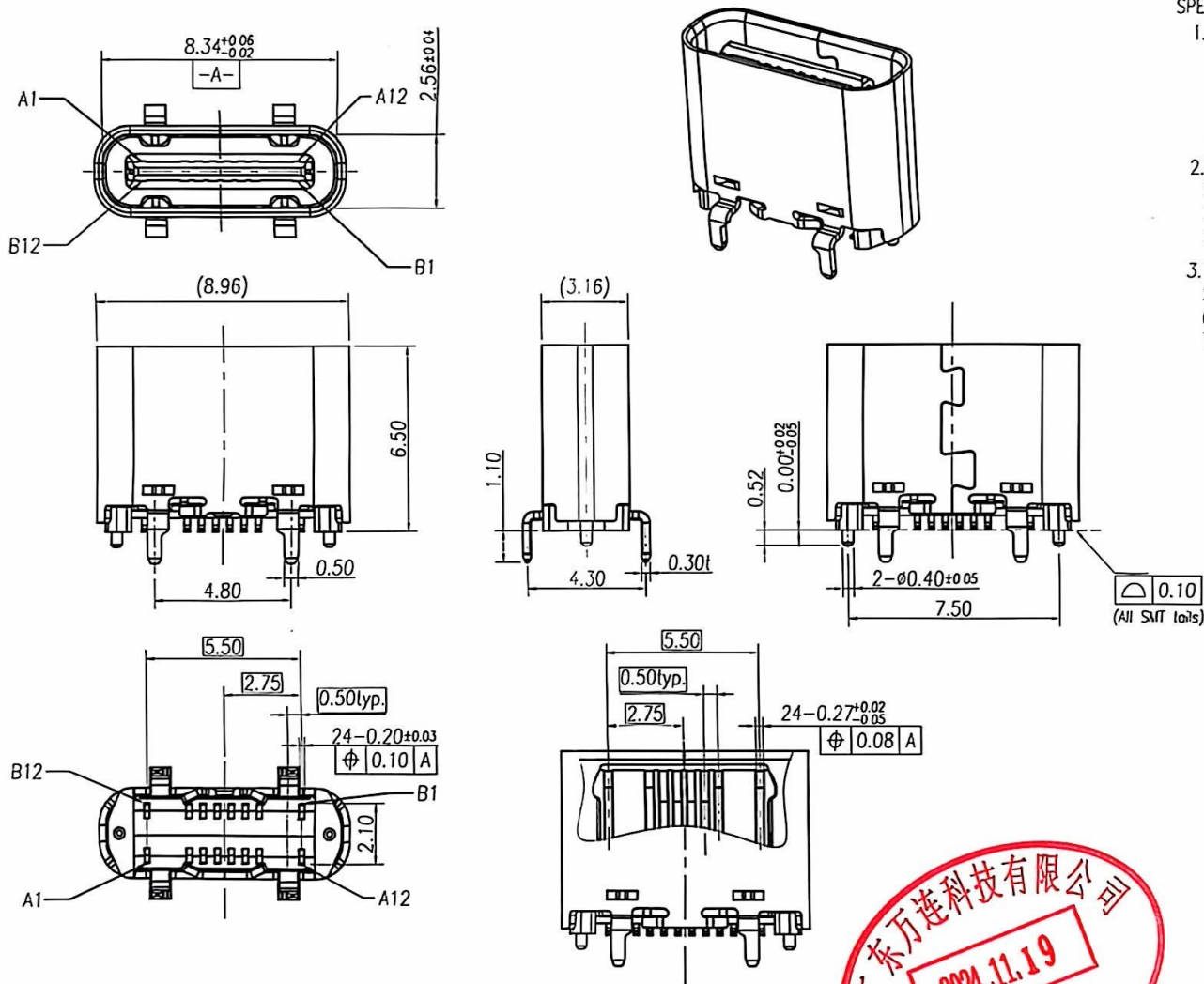


The product using material and processing must conform to the "WI-PZ-001"HSF technical standard control requirements

SPECIFICATION:

- 1.ELECTRICAL CHARACTERISTICS:
  - 1.1 CURRENT RATING: 5A
  - 1.2 TEMPERATURE RANGE: -40 °C ~ 85 °C
  - 1.3 CONTACT RESISTANCE: 30 MILLIONHM MAX.
  - 1.4 DIELECTRIC WITHSTANDING VOLTAGE: 100 VAC r.m.s
  - 1.5 INSULATION RESISTNACE: 100 MEGOHMS MIN.
- 2.MECHANICAL CHARACTERISTICS
  - 2.1 INSERTION FORCE: 5~20N
  - 2.2 EXTRACTION FORCE: Initial:8~20N;
  - 2.3 DURABILITY:10,000CYCLES
- 3.THE SHELL LENGTH IS LESS THAN THE MINIMUM SPECIFIED BY THE USB TYPE C STANDARD,AS SUCH IS CANNOT INDEPENDENTLY BE GUARANTEED TO MEET ALL TYPE C MECHANICAL REQUIREMENTS.

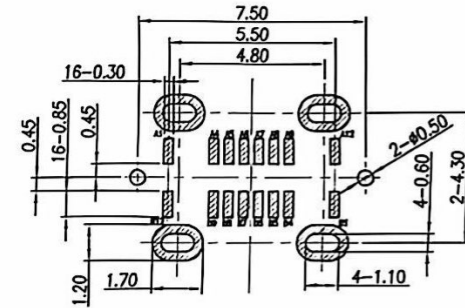
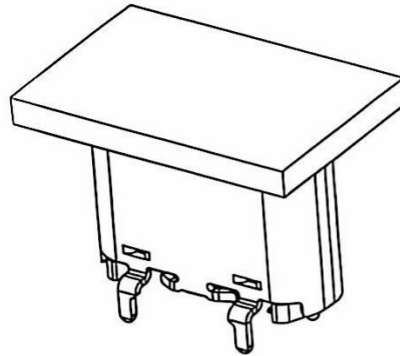
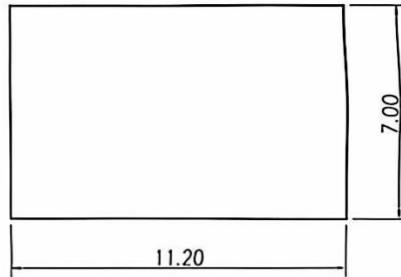


REV.	REVISION RECORD	DATE		GENERAL TOLERANCES	SCALE:	NAME	DATE	PART NO.	DWG.NO:	
A0	NEW RELEASE			LINEAR	1:1	Wang	2024.11.19	WLT270-1621A1313	ENDE05	
				ANGLES	APPROVED	Wang				WanLian Technology Co., Ltd
				X°REF±6'	DESIGNER	Wang	21.01.13			
			UNIT:mm	X°±3'	TITLE:	TYPE C 16P SOCKET V/T SMT H=6.5mm				REV: A0 SHEET: 1/3
			SIZE: A4	X°X' ±2'	DRAWN	Hou-lanxuan				

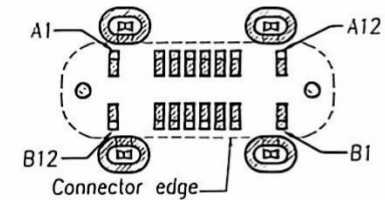
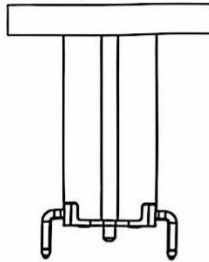
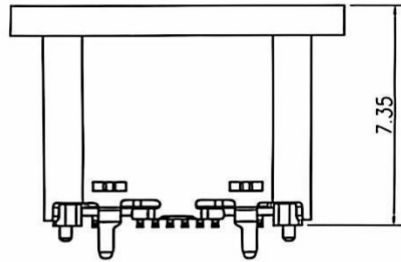
The product using material and processing must conform to the "WI-PZ-001"HSF technical standard control requirements

RoHS

ASSEMBLY CAP



P.C.B LAYOUT VIEW  
TOLERANCE ±0.05



PIN ASSIGNMENT

A1	A4	A5	A6	A7	A8	A9	A12	BLADE	SHELL
GND	VBUS	CC1	D+	D-	SBU1	VBUS	GND		
GND	VBUS	SBU2	D-	D+	CC2	VBUS	GND	GND	GND
B12	B9	B8	B7	B6	B5	B4	B1		

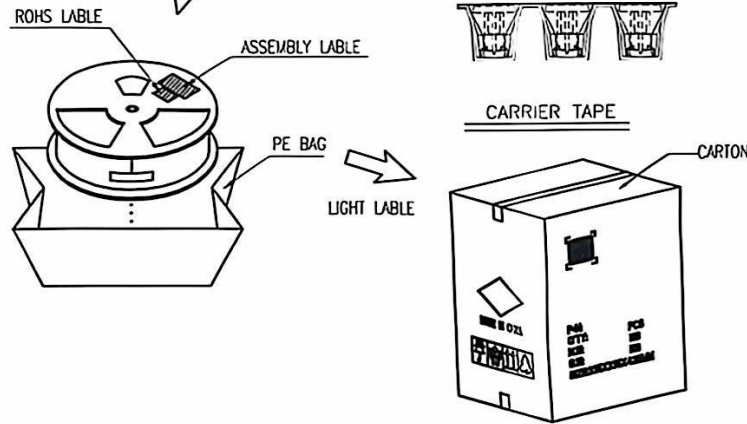
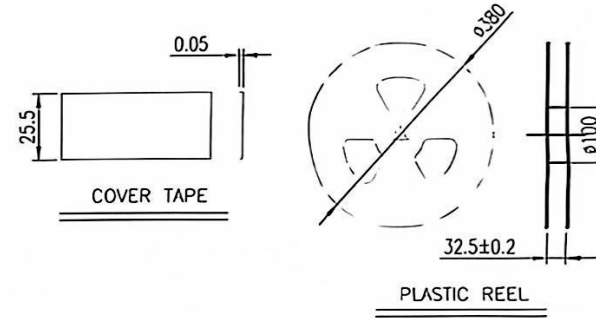
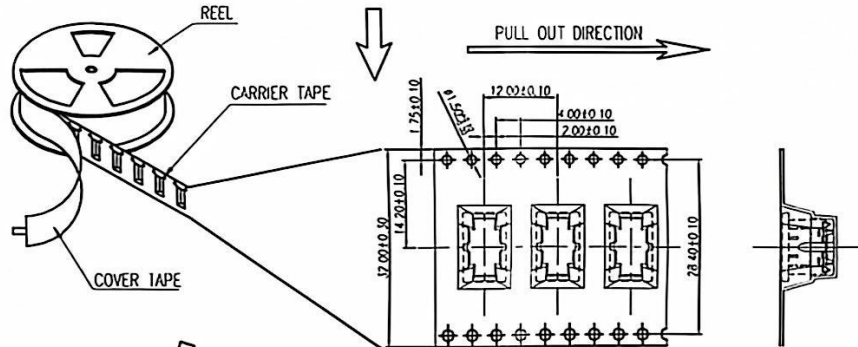
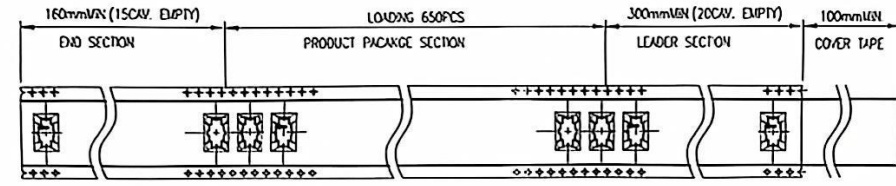
NO.	DESCRIPTION	QTY.	MATERIAL	FINISHED
6	CAP	1 PCS	PLASTIC	Black UL94V-0
5	MID PLATE	1 PCS	STAINLESS STEEL	None
4	CONTACT 2	1 SET	COPPER ALLOY	CONTACT AREA : Au 1u" Min., Ni 30~80u"
	CONTACT 1	1 SET	COPPER ALLOY	SOLDER AREA : Matte Tin 50u" Min., Ni 30~80u"
2	HOUSING	1 PCS	PLASTIC	Black UL94V-0
1	SHELL	1 PCS	STAINLESS STEEL	Ni 50~100u"



REV.	REVISION RECORD	DATE	GENERAL TOLERANCES	SCALE	NAME	DATE	PART.NO:	DWG.NO:	 WanLian Technology Co., Ltd	
A0	NEW RELEASE		LINEAR: 0.0±0.35 ANGLES: X° REF ±6° UNIT:mm 0.00±0.25 X°±3° SIZE: A4 0.000±0.10 X°X' ±2°	APPROVED	wang-jian	2024.11.19	WLT2FO-1621A1313	ENDE05		
				DESIGNER	mu-jian	20.11.19	TITLE:		REV: A0	SHEET: 2/3
				DRAWN	Hou-lanxuan	21.01.13	TYPE C 16P SOCKET V/T SMT H=6.5mm			

The product using material and processing must conform to the "WI-PZ-001"HSF technical standard control requirements

RoHS



- NOTES 2:
- MATERIAL:
    - 1.1 REEL AND AXLE: PS,BLUE
    - 1.2 CARRIER TAPE: PET, LUCID
    - 1.3 COVER TAPE: PS,TRANSPARENT
    - 1.4 SHIPPING CARTON: CORRUGATED FIBER
  - DIMENSION:
    - 2.1 REEL: W=32.5,  $\phi$ A=38.0
    - 2.2 CARRIER TAPE: T=0.50 W=32.0
    - 2.3 COVER TAPE: T=0.05 W=25.5
    - 2.4 SHIPPING CARTON: L=386mm, W=386mm, H=425mm
  - QUANTITY :
    - 3.1 PRIMARY PACKING: 650PCS/REEL
    - 3.2 SECONDARY PACKING: 10 REELS/CARTON(6500PCS/CARTON)
  - PEELING RESISTANCE: 0.1~1.3N
    - 4.1 PEELING SPEED: 300mm/minutes
    - 4.2 PEELING ANGLE: 165° ~180°



REV.	REVISION RECORD	DATE		GENERAL TOLERANCES		SCALE: 1:1	NAME: Wang-jian DATE: 2024.11.19 PART NO: WLT2FO-1621A1313	DWG.NO: ENDE05	
A0	NEW RELEASE			LINEAR	ANGLES	APPROVED			
			UNIT: mm	0.00±0.25	X°±3'	DESIGNER: Wang-jian	TITLE: TYPE C 16P SOCKET V/T SMT H=6.5mm	REV: A0	SHEET: 3/3
			SIZE: A4	0.000±0.10	X'X' ±2'	DRAWN: Hou-lanxuan	DATE: 21.01.13		