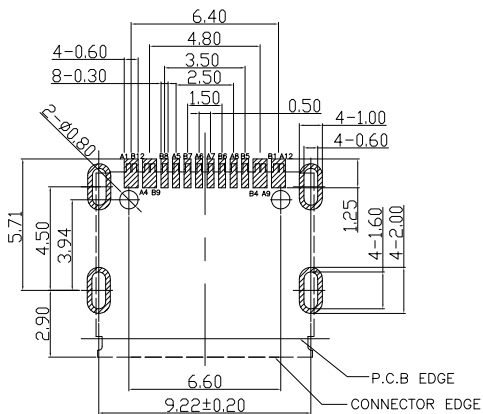
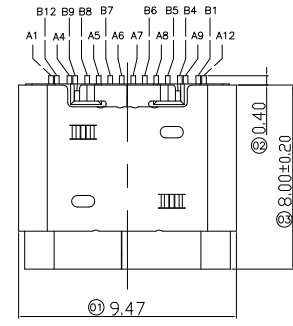
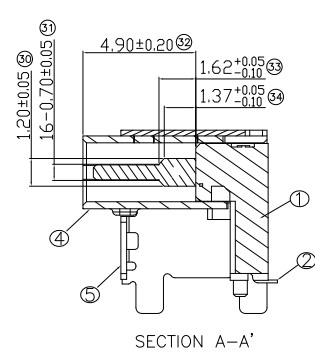


The product using material and processing must conform to the "WI-PZ-142"HSF technical standard control requirements

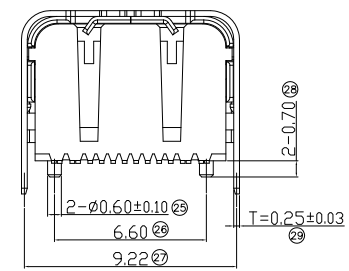
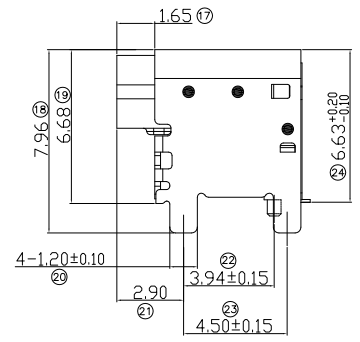
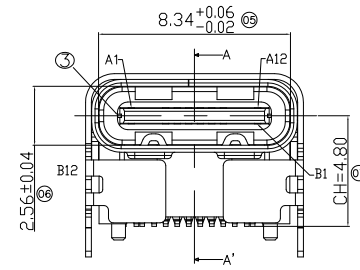
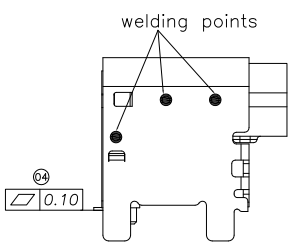
NOTES:

SPECIFICATION:

1. CURRENT RATING: 5.0A MAX
2. VOLTAGE: 100 VAC
3. TEMPERATURE RANGE: -30 °C ~ 85 °C
4. CONTACT RESISTANCE: 40 MILLIONHM MAX
5. INSULATION RESISTANCE: 100 MEGOHMS MIN.
6. INSERTION FORCE : 5N~20N
7. UNMATING FORCE: 8N~20N
8. DURABILITY: 10,000 CYCLES
9. Salt spray: 24H
10. MARK "⊗" ARE FAI DIMENSION

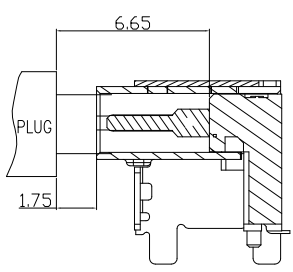


RECOMMENDED P.C.B. LAYOUT TOLERANCE UNSPECIFIED ±0.05mm

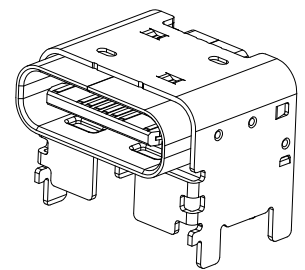
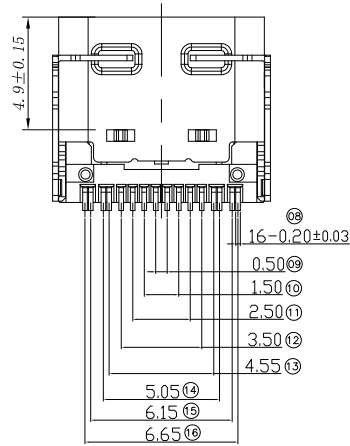


PIN ASSIGNMENT

A1	GND	B12	GND
A4	VBUS	B9	VBUS
A5	CC1	B8	SBU2
A6	DP1	B7	DN2
A7	DN1	B6	DP2
A8	SBU1	B5	CC2
A9	VBUS	B4	VBUS
A12	GND	B1	GND
PIN	SIGNAL NAME	PIN	SIGNAL NAME



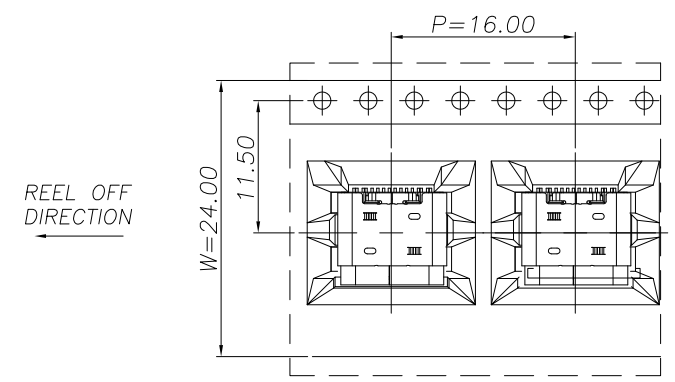
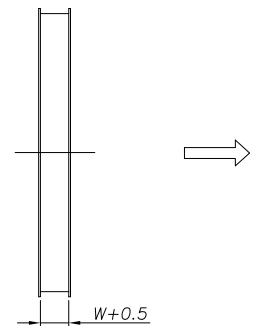
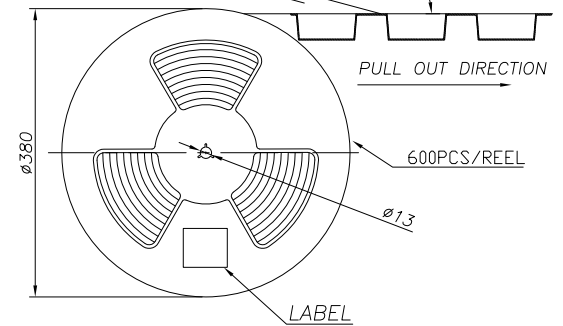
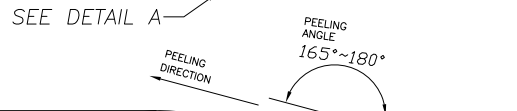
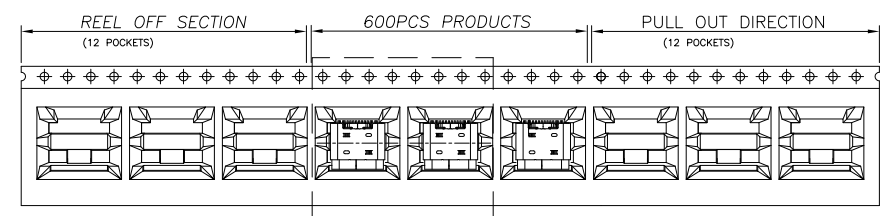
AFTER INSERT PLUG



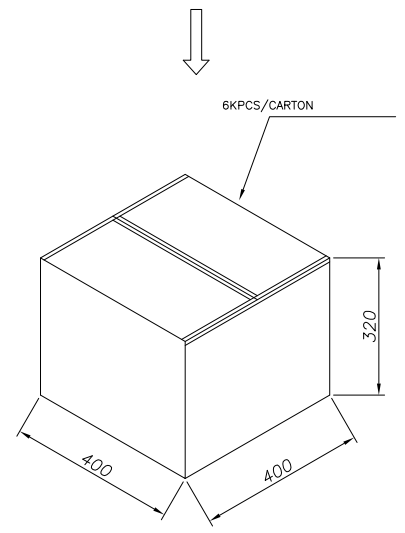
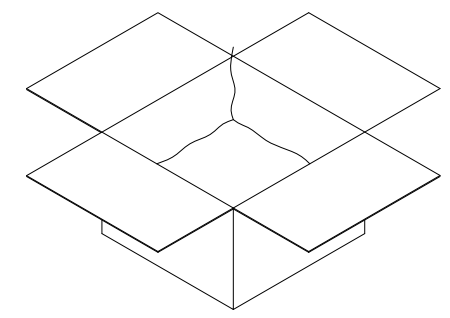
5	OUTER SHELL	STAINLESS STEEL SUS304 T=0.25	MATTE NI Plated	1PCS
4	INNER SHELL	STAINLESS STEEL SUS304,T=0.30	FLASH NI Plated	1PCS
3	MIDDLE PLATE	STAINLESS STEEL SUS301	CLEAR,NO PLATED	1PCS
2	CONTACT	COPPER ALLOY C7025 T=0.12	1u" Au PLATED ON CONTACT AREA 1u" Au PLATED ON SOLDER AREA 50u" Ni UNDER PLATED OVER ALL	16PIN
1	HOUSING	HIGH TEMPERATURE PLASTIC	PA9T-BK BLACK	1PCS
NO.	DESCRIPTION	MATERIAL	REMARKS	QTY

REV.	REVISION RECORD	DATE		GENERAL TOLERANCES		SCALE:	NAME	DATE	PART.NO:	DWG.NO:	 WanLian Technology Co., Ltd
A0	NEW RELEASE	20.5.18		LINEAR	ANGLES	1:1	Wang_jr	20.5.18			
				0.0±0.35	X'REF±6°	APPROVED	Ding_bo	20.5.18	TITLE:		
				0.00±0.25	X'±3°	DESIGNER	Ou_jian	20.5.18	TYPE C 16P SOCKET R/A SMT CH4.8		
			UNIT:mm	X'X' ±2°	DRAWN				REV: A0	SHEET: 1/2	
			SIZE: A4	0.000±0.10							

The product using material and processing must conform to the "WI-PZ-142"HSF technical standard control requirements



DETAIL A



	REEL	CARTON
CONNECTOR(PCS)	600	6000

REV.	REVISION RECORD	DATE		GENERAL TOLERANCES		SCALE: 1:1	NAME	DATE	PART.NO:	DWG.NO:	
A0	NEW RELEASE	20.5.18		LINEAR	ANGLES	APPROVED	Wang_jr	20.5.18	WLT2F9-1621A1349	ENDE05	
			0.0±0.35	X°REF±6°	DESIGNER	Ding_bo	20.5.18	TITLE:			
			UNIT:mm	0.00±0.25	X°±3°	DRAWN	Ou_jian	20.5.18	TYPE C 16P SOCKET CH4.8 Packing drawing		
			SIZE: A4	0.000±0.10	X°X' ±2°				REV: A0	SHEET: 2/2	