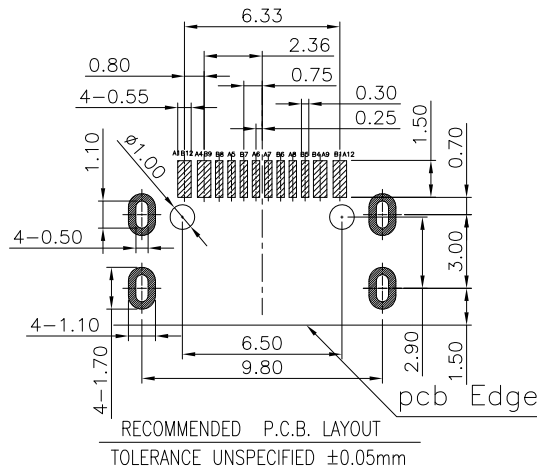
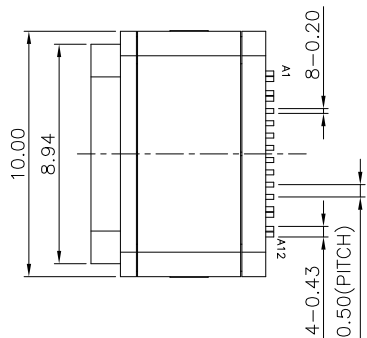
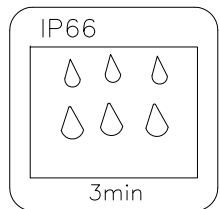


The product using material and processing must conform to the "WL-PZ-001"HSF technical standard control requirements

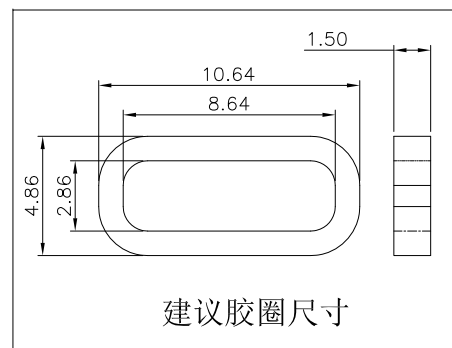
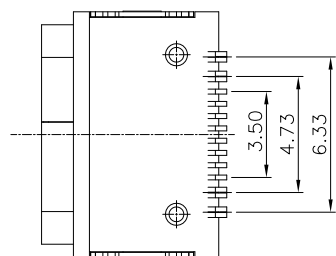
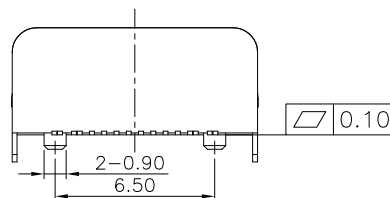
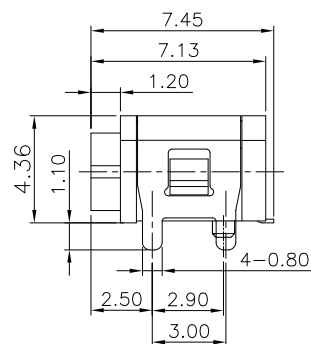
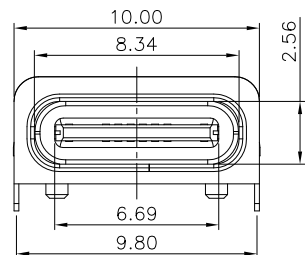
RoHS



A1	GND	B12	GND
A4	VBUS	B9	VBUS
A5	CC1	B8	SBU2
A6	DP1	B7	DN2
A7	DN1	B6	DP2
A8	SBU1	B5	CC2
A9	VBUS	B4	VBUS
A12	GND	B1	GND
PIN	SIGNAL NAME	PIN	SIGNAL NAME

NOTE:

- MATERIAL SPECIFICATION:
  - HOUSING:PA10T BLACK
  - CONTACT:COPPER ALLOY
  - SHELL HOUSING:PA10T BLACK
  - SHELL:STAINLESS STEEL
  - SHIELDING PLATE:STAINLESS STEEL
  - WATERPROOF RING: SILICA GEL BLACK
- PLATING SPECIFICATION:
  - CONTACT:AU PLATING ON CONTACT AREA.
  - SHELL:NI 40u"MIN PLATING OVER ALL.
  - SHIELDING PLATE:NI 40u"MIN PLATING OVER ALL.
- MECHANICAL PERFORMANCE:
  - INSERTION FORCE:2.0Kgf MAX
  - EXTRACTION FORCE:0.8Kgf MIN
  - DURABILITY: 10000 CYCLES.
- ELECTRICAL PERFORMANCE:
  - RATED CURRENT:3.0A
  - VOLTAGE RATING:20V
  - CONTACT RESISTANCE: 40mΩ MAX
  - INSULATION RESISTANCE: 100MΩ MIN
  - WITHSTANDING VOLTAGE: 100V AC
- OPERATION TEMPERATURE RANGE:-25°C~85°C
- PACKAGE SPEC: REEL
- P/N:



WLT2F9-16 2 X X X 124

PLATED:  
1-G/F  
2-Au 3u"  
5-Au 15u"  
6-Au 30u"

HOUSING:  
1-PA10T  
2-LCP

COLOUR:  
A-BLACK

REV.	REVISION RECORD	DATE		GENERAL TOLERANCES		SCALE: 1:1	NAME	DATE	PART.NO:	DWG.NO:	<p>WanLian Teconology Co., Ltd</p>
A0	NEW RELEASE	21.01.13		LINEAR	ANGLES	APPROVED	Wang_jr	21.01.13	WLT2F9-162XXX124	ENDE05	
			UNIT:mm	0.00±0.25	X°±3°	DESIGNER	Han_Gao	21.01.13	TITLE:		REV: A0
			SIZE: A4	0.000±0.10	X°X' ±2°	DRAWN	Zijun_Huang	21.01.13	TYPE C 16P/F SMT IPX6		