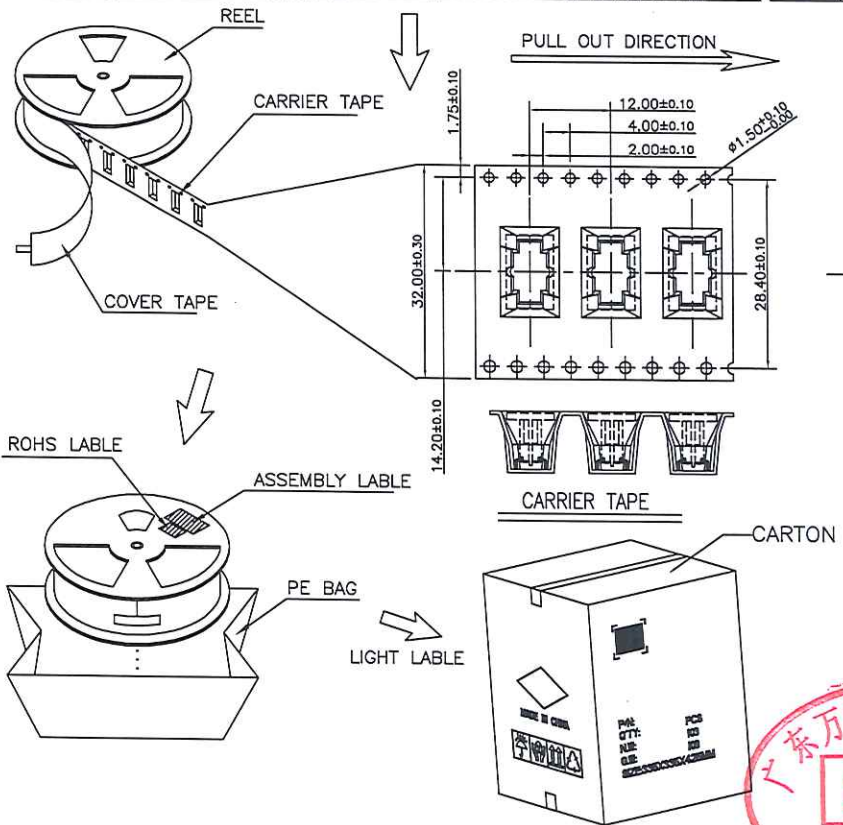
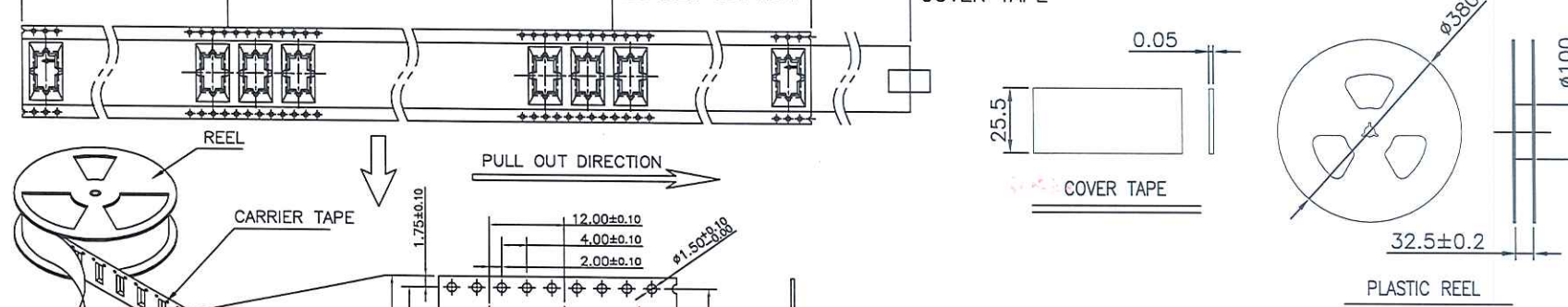


The product using material and processing must conform to the "WI-PZ-001"HSF technical standard control requirements

RoHS

160mmMIN.(15CAV. EMPTY) LOADING 650PCS 300mmMIN.(20CAV. EMPTY) 100mmMIN. COVER TAPE



NOTES 2:

1. MATERIAL:
 - 1.1 REEL AND AXLE: PS,BLUE
 - 1.2 CARRIER TAPE: PET, LUCID
 - 1.3 COVER TAPE: PS,TRANSPARENT
 - 1.4 SHIPPING CARTON: CORRUGATED FIBER
2. DIMENSION:
 - 2.1 REEL: W=32.5, φA=380
 - 2.2 CARRIER TAPE: T=0.50 W=32.0
 - 2.3 COVER TAPE: T=0.05 W=25.5
 - 2.4 SHIPPING CARTON: L=386mm, W=386mm, H=425mm
3. QUANTITY :
 - 3.1 PRIMAY PACKING: 650PCS/REEL
 - 3.2 SECONDARY PACKING: 10 REELS/CARTON(6500PCS/CARTON)
4. PEELING RESISTANCE: 0.1~1.3N
 - 4.1 PEELING SPEED: 300mm/minutes
 - 4.2 PEELING ANGLE: 165° ~180°



REV.	REVISION RECORD	DATE	GENERAL TOLERANCES	SCALE:	NAME	DATE	PART.NO:	DWG.NO:
A0	NEW RELEASE	22.03.19	LINEAR	1:1			WLT4FO-2421A0140	ENDE05
A1	ECN20240524002	24.5.24	0.0±0.35	APPROVED	MWZ	2026.01.06		
A2	PIN B2/B3/B10/B11 WRONG, REDEFINE PIN ASS	24.7.16	0.00±0.25	DESIGNER	Wang_ji	2026.01.06		
A3	更新结合线, 方便生产稳定性	25.3.11	0.000±0.10	DRAWN	Zijun_Huang	22.03.19	TITLE: TYPE C 24P/F SMT VT 6.50H Packing drawing	



REV: A3 SHEET: 1/2