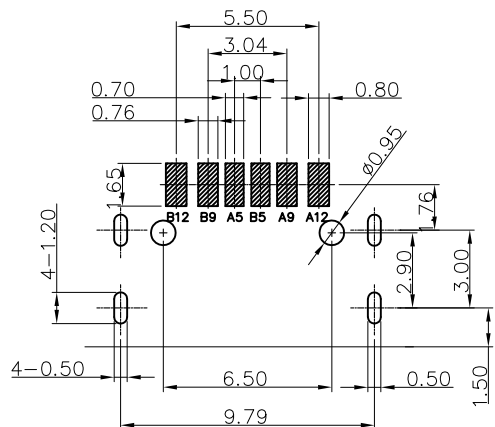
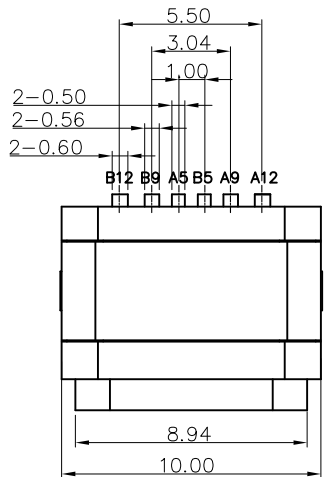
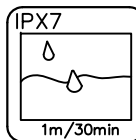
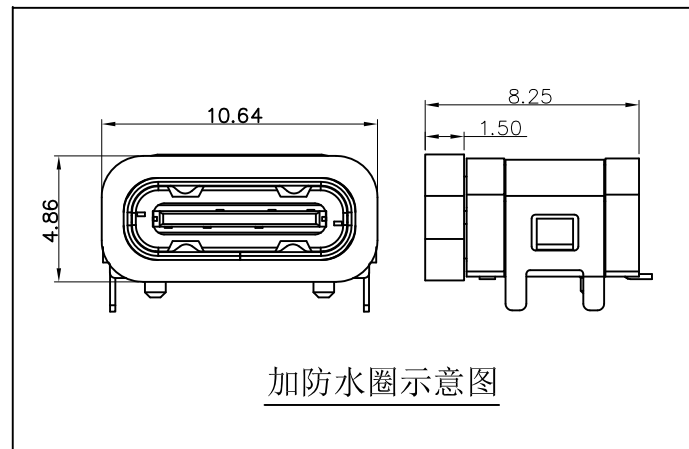
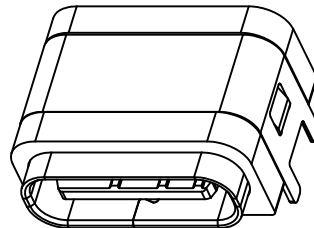


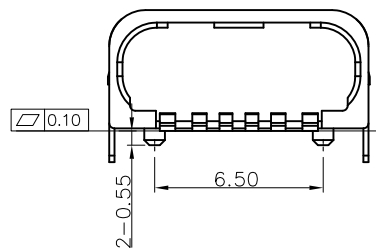
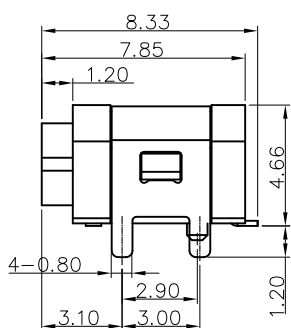
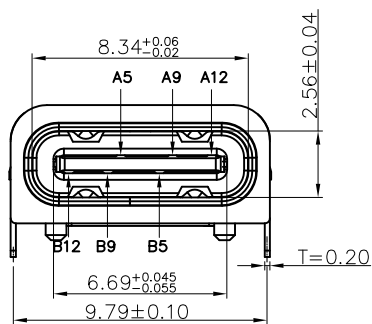
REV	DESCRIPTION	DATE	APPROVED
A0	NEW RELEASE	2019.09.04	JANNE



RECOMMENDED P.C.B. LAYOUT  
TOLERANCE UNSPECIFIED ±0.05mm



加防水圈示意图



NOTES:

SPECIFICATION:

- CURRENT RATING: 3.0A MAX
- VOLTAGE: 100 VAC
- TEMPERATURE RANGE: -30 °C ~ 85 °C
- CONTACT RESISTANCE: 40 MILLIONHM MAX
- INSULATION RESISTANCE: 100 MEGOHMS MIN.
- INSERTION FORCE : 5N~20N
- UNMATING FORCE: 8N~20N
- DURABILITY: 10,000 CYCLES
- WATER PROOFNESS: THIS PRODUCT IS BASED ON IPX7.

P/N:

UCB11-0600B X ANL-H03

FINISH NUMBER:

- Au 1u"
- Au 3u"
- Au 15u"

PIN ASSIGNMENT:

PIN NO	B12	B9	A5	B5	A9	A12
SIGNAL NAME	GND	VBUS	CC1	CC2	VBUS	GND

The product using material and processing must conform to the "WI-PZ-142"HSF technical standard control requirements

NO.	DESCRIPTION	MATERIAL	REMARKS	QTY
5	SHELL	STAINLESS STEEL	NI Plated	1PCS
4	SHIELDING PLATE	STAINLESS STEEL	NI Plated	1PCS
3	CONTACT	COPPER ALLOY	TIN/Au/NI Plated	1SET
2	SHELL HOUSING	HIGH TEMPERATURE PLASTIC	BLACK	1PCS
1	HOUSING	HIGH TEMPERATURE PLASTIC	BLACK	1PCS

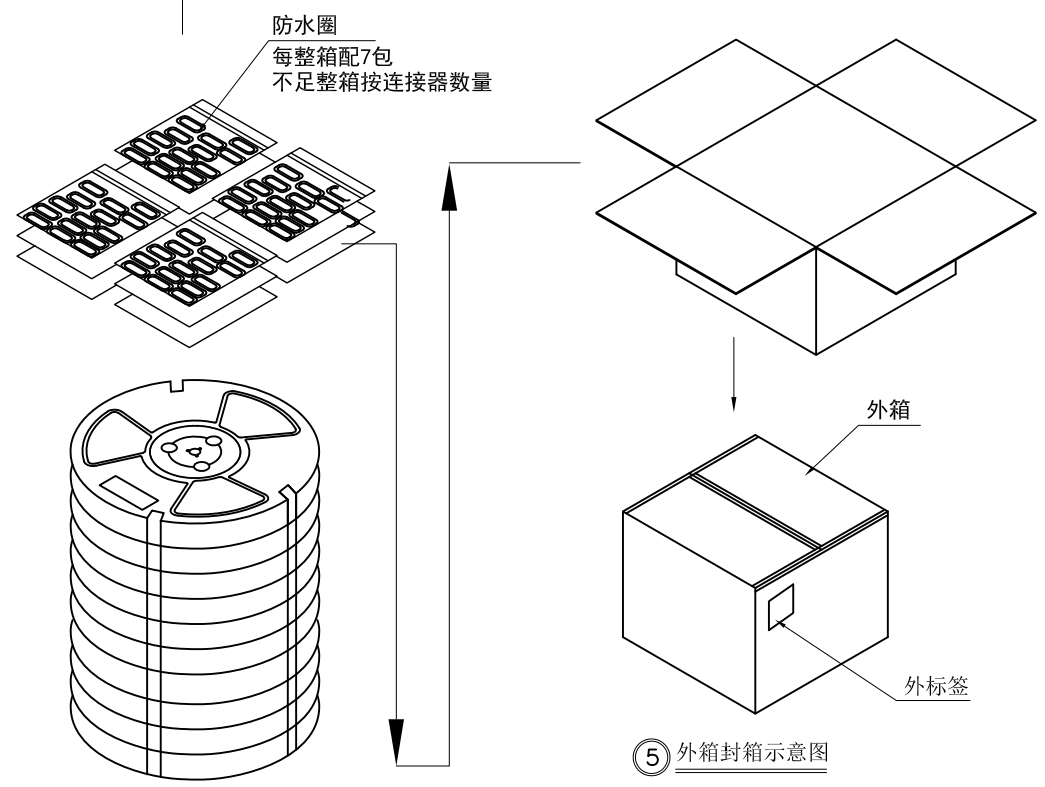
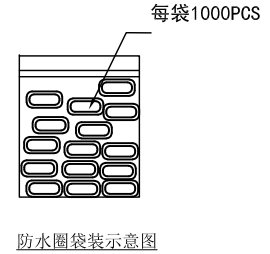
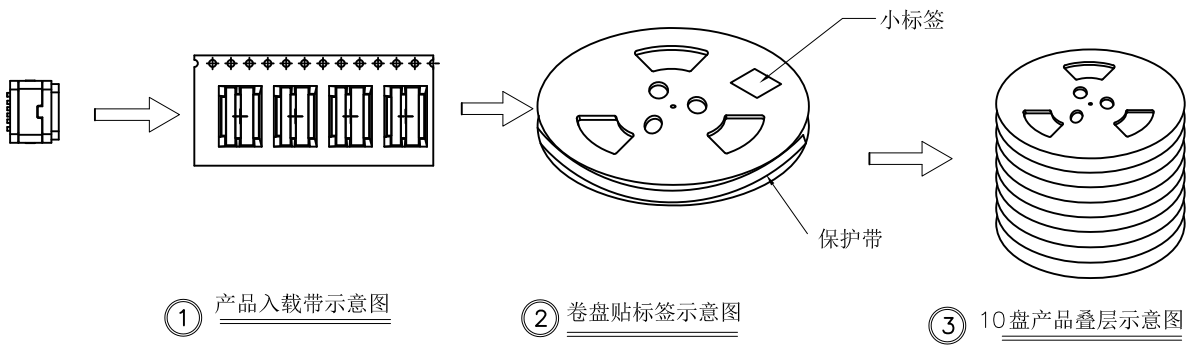
一般公差GENERAL TOLERANCE		绘图 DR.
X.X ±0.25	X' ±2'	校对 CHK.
X.XX ±0.15	X.X' ±1'	审核 CHK.
X.XXX ±0.05	X.XX' ±0.5'	核准 APPD.
单位 UNIT		
mm		

**JCTC** 胜蓝科技股份有限公司  
TERMINAL & CONNECTORS 东莞市富智达电子科技有限公司

品名TITLE  
TYPE-C 6PIN 单排SMT防水母座

料号 PART NO. UCB11-0600BXANL-H03		
文件编号 NUMBER ENDE05		
比例SCALE 1:1	SHEET 1/1	版次REV. A0

REV	DESCRIPTION	DATE	APPROVED
A0	NEW RELEASE	2019.09.04	JANNE



NOTE:

- 1. QUANTITY/REEL: 700 PCS  
数量/卷: 700 PCS
- QUANTITY/INNER CARTON: 700 X 10 = 7000 PCS  
数量/箱: 700 X 10 = 7000 PCS
- 2. FREE 20 CAVE IN THE FRONT CARRIER ADN FREE 20 CAVE IN THE END CARRIER.  
包装带内圈空13格, 外圈空13格.

ITEM	DESC.	MATERIAL	REMARKS	QTY
1	成品		C F 单排6P防水板上型成品	7000
2	CARRIER TAPE	PET	W=24mm T=0.35mm	—
3	COVER TAPE	PET	W=21.3mm T=0.05mm	—
4	小标签			10
5	卷盘	PS	ø330MM*W28.5MM	10
6	外标签			1
7	外箱	A=A	L330mm*W330mm*320mm	1

一般公差 GENERAL TOLERANCE		绘图 DR.	Tyron
X.X ±0.20	X' ±2'	校对 CHK.	
X.XX ±0.10	X.X' ±1'	审核 CHK.	Sky
X.XXX ±0.05	X.XX' ±0.5'	核准 APPD.	Janne
单位 UNIT mm			

**JCTC**® 胜蓝科技股份有限公司  
TERMINAL & CONNECTORS 东莞市富智达电子科技有限公司

品名 TITLE  
TYPE-C 6PIN 单排SMT防水母座

料号 PART NO. UCB11-0600BXANL-H03		
文件编号 NUMBER ENDE05		
比例 SCALE 1:1	SHEET 1/1	版次 REV. A0