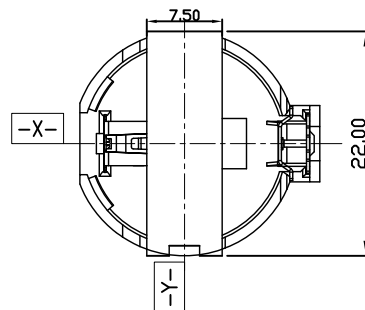
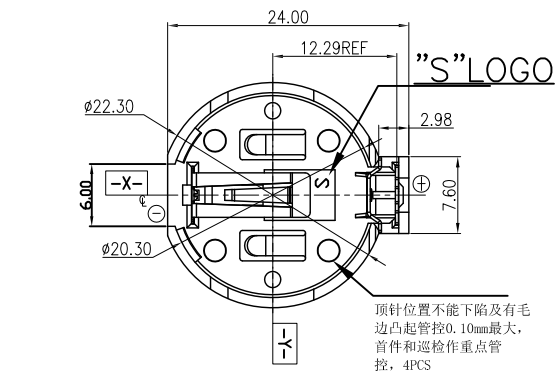


The product using material and processing must conform to the "WI-PZ-142" HSF technical standard control requirements



NOTES:

MATERIAL:

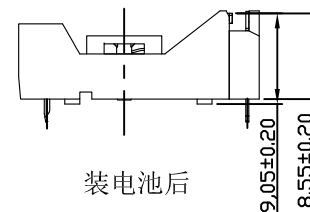
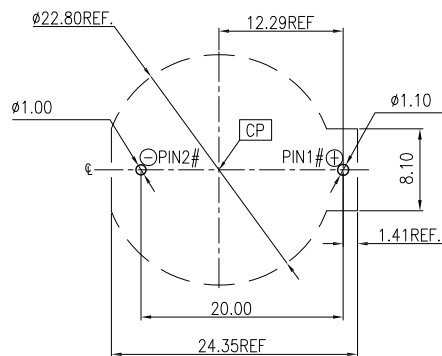
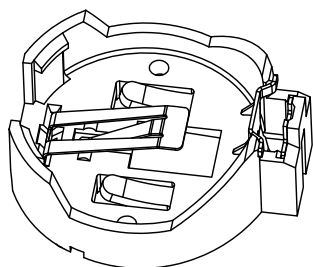
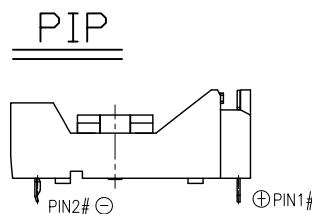
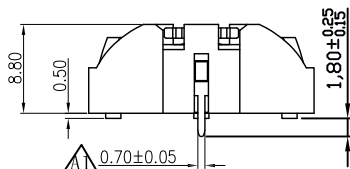
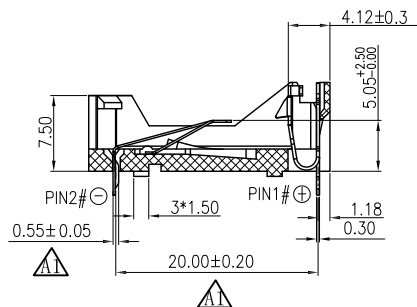
1. HOUSING: LCP,30%G.F UL94V-0,COLOR: BLACK,ROHS2.0+HF.
2. CONTACT: Barss.
3. CONTACT PLATED: FULL GOLD PLATED ON OVER ALL, AND NICKEL UNDER PLATED OVER ALL.

ELECTRICAL CHARACTERISTICS:

1. CONTACT RESISTANCE: 30mΩ MAX.
2. INSULATION RESISTANCE: 1000MΩ MIN
3. DIELECTRIC WITHSTANDING VOLTAGE: 1000V AC RMS FOR 1 MINUTE.
4. OPERATING TEMPERATURE : -55°C TO +105°C.

WLBTF9-01 1 X X 01-020

PLATING: 1-G/F  
6-AU 30U"  
9-NI  
Colour: A:Black  
K:White



RECOMMENDED PCB LAYOUT(TOP VIEW)  
(PCB THICKNESS:T=1.60mm)(TOLERANCE:±0.05)

REV.	REVISION RECORD	DATE		GENERAL TOLERANCES		SCALE: 1:1	NAME	DATE	PART.NO: WLBTF9-011XX01-020	DWG.NO: ENDE05	
A0	NEW RELEASE	21.01.13		LINEAR	ANGLES	APPROVED	Wang_jr	21.01.13			
			0.0±0.35	X'REF±6'	DESIGNER	Ding_bo	21.01.13	TITLE: BATTERY HOLDER DIP 电池座			
			UNIT: mm	0.00±0.25	X'±3'	DRAWN	Ou_jian		21.01.13		
			SIZE: A4	0.000±0.10	X'X' ±2'				REV: A0	SHEET: 1/1	