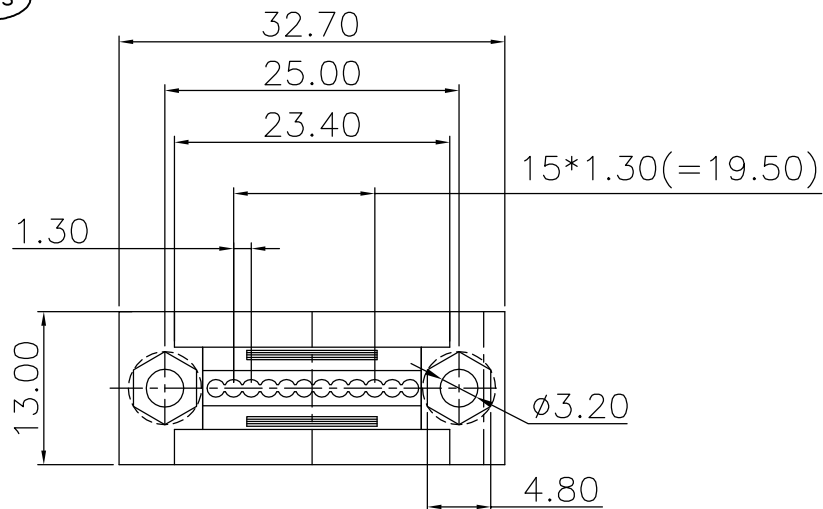


The product using material and processing must conform to the "WI-PZ-001"HSF technical standard control requirements

RoHS



NOTE:

1.MATERIAL SPECIFICATION:

1-1.HOUSING: PP

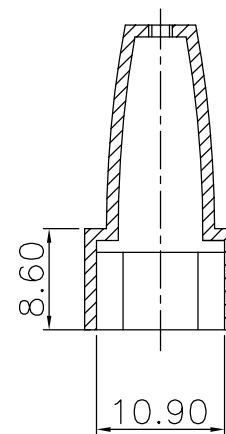
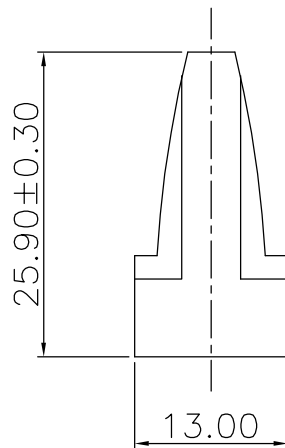
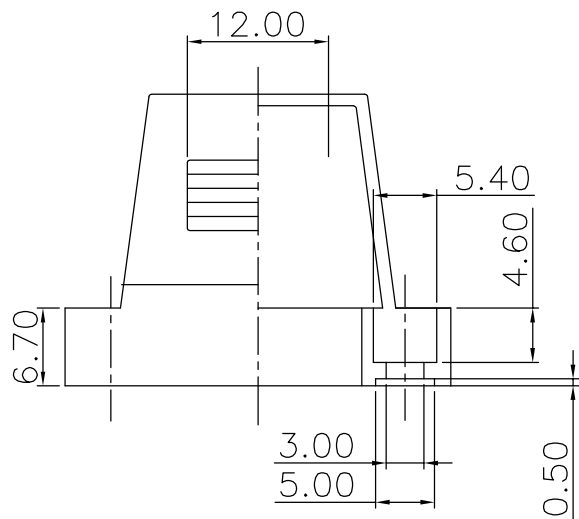
2.ENVIRONMENTAL PERFORMANCE:

OPERATING TEMPERATURE:  $-55^{\circ}\text{C}\sim+105^{\circ}\text{C}$ .

3.P/N ORDER:

WLDBF0-00 0 0 X 0 095

COLOUR:  
A-BLACK



剖视图

REV.	REVISION RECORD	DATE		GENERAL TOLERANCES		SCALE:	NAME	DATE	PART.NO:	DWG.NO:	 WanLian Teconology Co., Ltd
A0	NEW RELEASE	21.01.13		LINEAR	ANGLES	1:1	Wang_jr	21.01.13			
			0.0±0.35	X'REF±6'	APPROVED	Han_Gao	21.01.13	TITLE:			
			UNIT: mm	0.00±0.25	X'±3'	DESIGNER	Zijun_Huang	21.01.13	DKN9/15 快速壳		
			SIZE: A4	0.000±0.10	X'X' ±2'	DRAWN				REV: A0	SHEET: 1/1