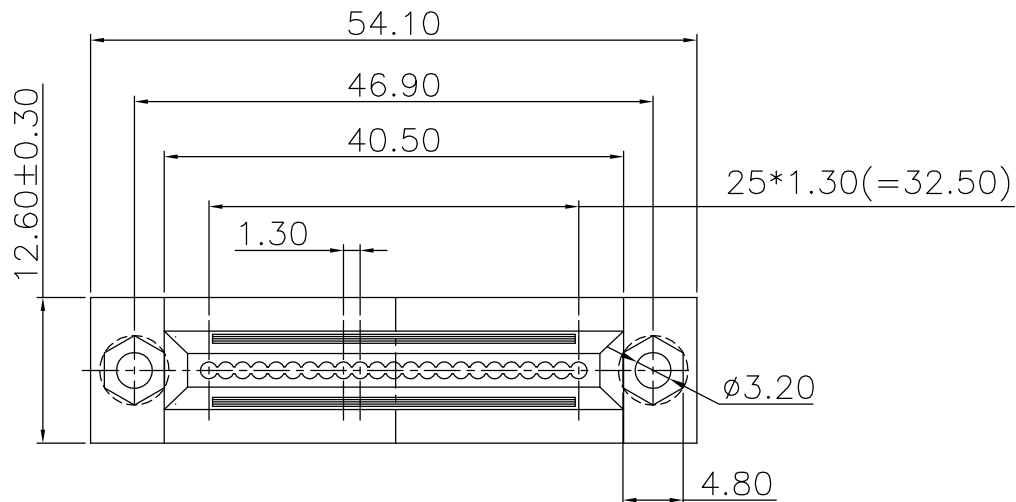


The product using material and processing must conform to the "WI-PZ-001"HSF technical standard control requirements

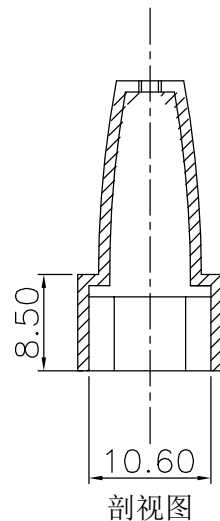
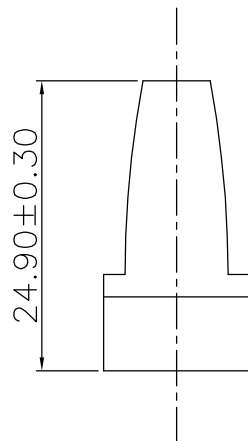
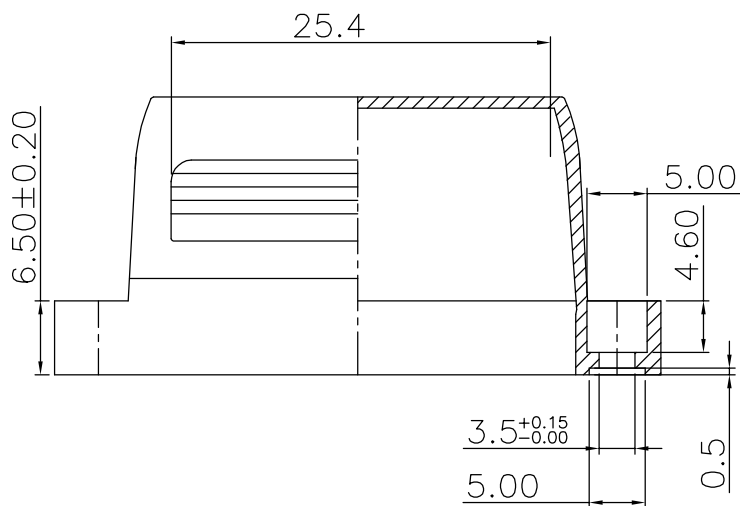
RoHS



NOTE:
 1.MATERIAL SPECIFICATION:
 1-1.HOUSING: PP
 2.ENVIRONMENTAL PERFORMANCE:
 OPERATING TEMPERATURE: -55°C~+105°C.
 3.P/N ORDER:

WLDBF0-00 0 0 X 0 097

COLOUR:
 A-BLACK



REV.	REVISION RECORD	DATE		GENERAL TOLERANCES		SCALE: 1:1	NAME	DATE	PART.NO:	DWG.NO:	
A0	NEW RELEASE	21.01.13		LINEAR	ANGLES	APPROVED	Wang_jr	21.01.13	WLDBF0-0000X0097	ENDE05	
			UNIT: mm	0.00±0.25	X'±3'	DESIGNER	Han_Gao	21.01.13	TITLE:		REV: A0 SHEET: 1/1
			SIZE: A4	0.000±0.10	X'X' ±2'	DRAWN	Zijun_Huang	21.01.13	DKN25/25 快速壳 孔径φ1.3mm		