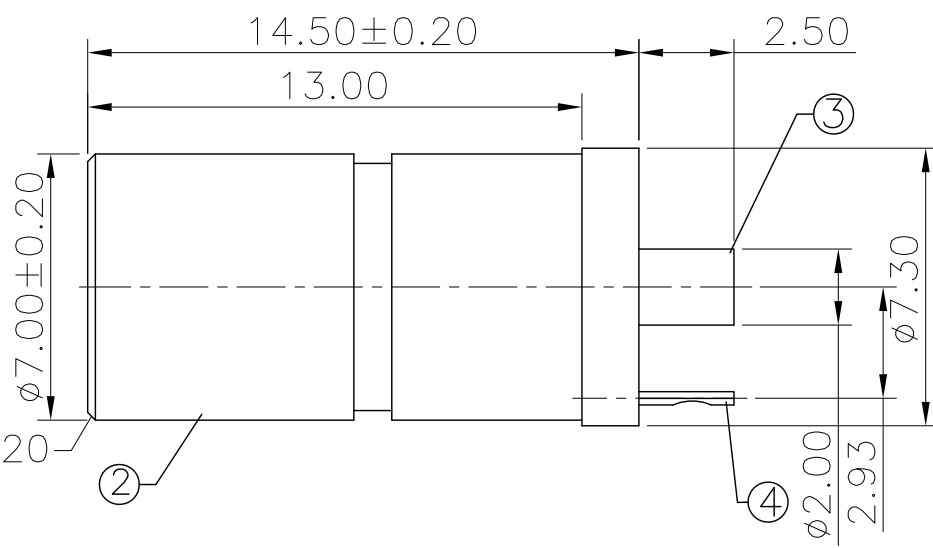
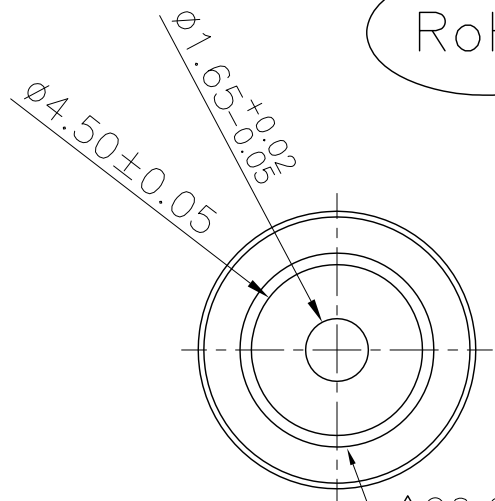
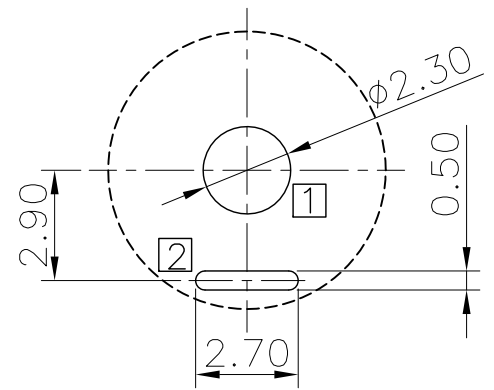


The product using material and processing must conform to the "WI-PZ-001"HSF technical standard control requirements

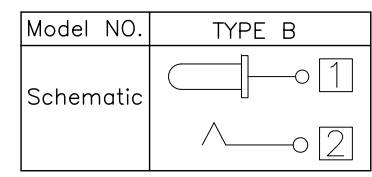
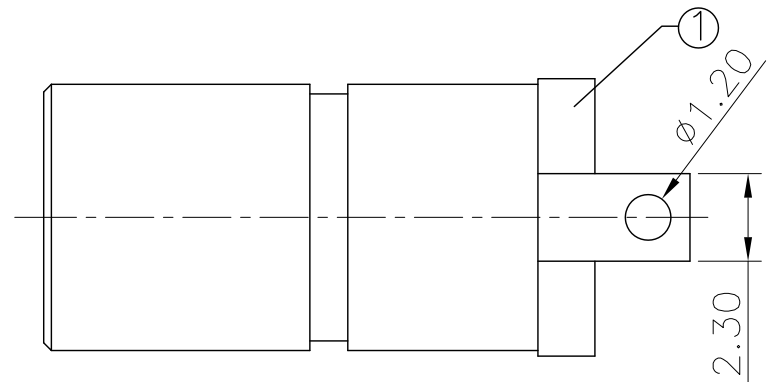
RoHS



NOTE:
 1.MATERIAL SPECIFICATION:
 1-1.HOUSING:PA66
 1-2.BUSHING:BRASS
 1-3.TERMINAL 1:BRASS
 1-4.TERMINAL 2:STAINLESS STEEL
 2.PLATING SPECIFICATION:
 2-1.CENTER PIN:
 NICKEL PLATING ON CONTACT AREA.
 2-2.TERMINAL 1/2:
 TIN PLATING ON CONTACT AREA.
 3.MECHANICAL PERFORMANCE:
 3-1.INSERTION AND EXTRACTION FORCE:3N~30N
 3-3.DURABILITY: 5000 CYCLES.
 4.ELECTRICAL PERFORMANCE:
 4-1.RATED CURRENT:3A
 4-2.NOMINAL VOLTAGE:20V
 4-3.CONTACT RESISTANCE: 50mΩ MAX
 AFTER TEST: 100mΩ MAX
 4-4.INSULATION RESISTANCE: 100MΩ MIN
 AFTER TEST: 50MΩ MIN
 4-5.WITHSTANDING VOLTAGE: -20°C~70°C
 PRESERVATIVE TEMPERATURE RANGE:-40°C~85°C
 6.P/N: WLDCF0-02 X 1 1 1 047
 PLATED: 1.G/F 7.SN 8.AG
 HOUSING: 1.PA66 BLACK
 CIRCUIT DIAGRAM:
 1.TYPE B



△ RECOMMENDED P.C.B. LAYOUT
 UNSPECIFIED TOLERANCE:±0.05
 (TOP VIEW)



REV.	REVISION RECORD	DATE	UNIT:mm	GENERAL TOLERANCES		SCALE: 1:1	NAME	DATE	PART.NO:	DWG.NO:	 WanLian Teconology Co., Ltd
A0	NEW RELEASE	21.01.13		SIZE: A4	LINEAR	ANGLES	APPROVED	Wang_jr	21.01.13	WLDCF0-02X111047	
				0.00±0.25	X°±3°	DESIGNER	Han_Gao	21.01.13	TITLE: DC POWER JACK		REV: A0
				0.000±0.10	X°X' ±2°	DRAWN	Zijun_Huang	21.01.13			SHEET: 1/1