

The product using material and processing must conform to the "WL-PZ-001"HSF technical standard control requirements

RoHS

NOTE:

- 1.MATERIAL SPECIFICATION:
 - 1-1.HOUSING:PA10T&LCP(G.F30%)
 - 1-2.CONTACT:PHOSPHAR BRONZE C5191R-EH T=0.20
 - 1-3.SHELL:SUS301 T=0.30
- 2.PLATING SPECIFICATION:
 - 2-1.CONTACT:AU/NI PLATING ON CONTACT AREA.
 - 2-2.SHELL:NI PLATING ON CONTACT AREA.
- 3.MECHANICAL PERFORMANCE:
 - 3-1.INSERTION FORCE:3.5Kgf MIN
 - 3-2.EXTRACTION FORCE:0.8Kgf MIN
 - 3-3.DURABILITY: 10000 CYCLES.
- 4.ELECTRICAL PERFORMANCE:
 - 4-1.RATED CURRENT:3A(PIN1&5),0.5A(PIN2&3&4)
 - 4-2.VOLTAGE RATING:5V MAX
 - 4-3.CONTACT RESISTANCE: 30mΩ MAX
 - 4-4.INSULATION RESISTANCE: 100MΩ MIN
 - 4-5.WITHSTANDING VOLTAGE: 500V AC
- 5.OPERATION TEMPERATURE RANGE:-40°C~85°C
- 6.WATER PROOFNESS:THIS PRODUCT IS BASED ON IPX6
- 7.PLUG INTERFACE DIMENSIONS COMFORM TO USB2.0 SPEC.
- 8.PACKAGE SPEC REEL

9.P/N:

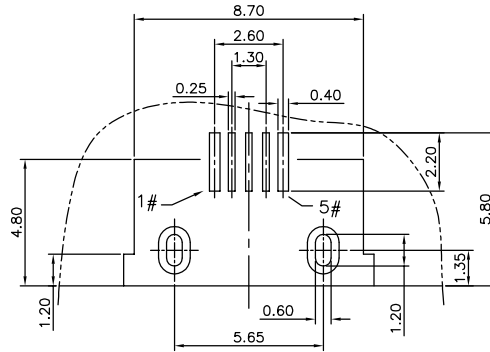
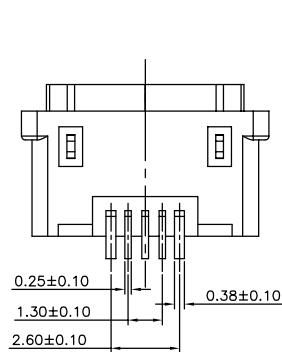
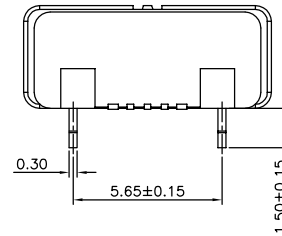
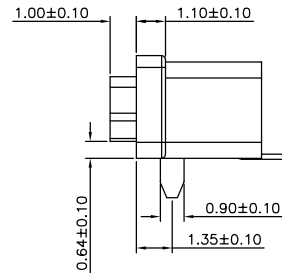
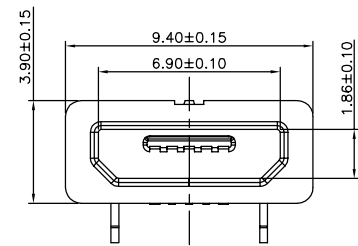
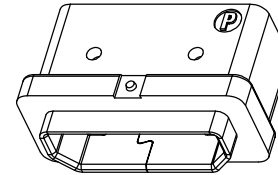
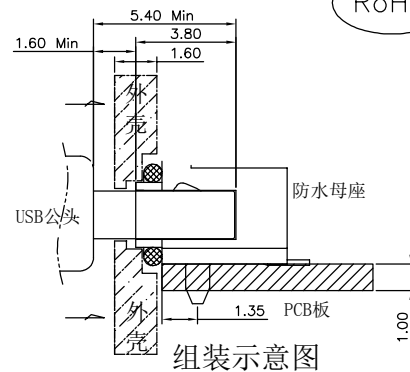
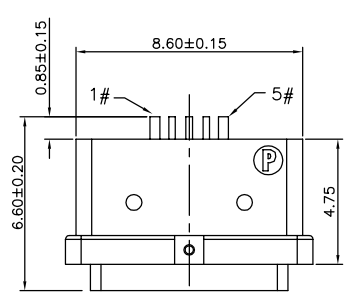
WLM2F9-05 2 X X X 058

PLATED:

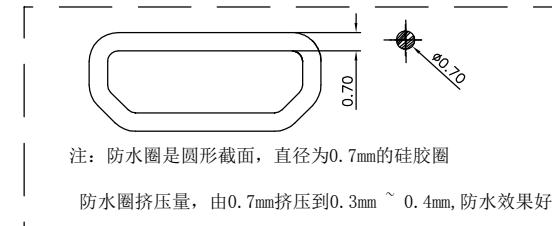
- 1-G/F
- 2-Au 3u"
- 5-Au 15u"
- 6-Au 30u"

HOUSING:

- 1-PA10T
 - 2-LCP
- COLOUR:
A-BLACK



P.C.B LAYOUT



Contact Number	Signal Name	Remarks
1#	VBUS	Power
2#	D-	Date-
3#	D+	Date+
4#	ID	Reserve or Gound
5#	GND	Gound

REV.	REVISION RECORD	DATE	GENERAL TOLERANCES	SCALE:	NAME	DATE	PART.NO:	DWG.NO:
A0	NEW RELEASE	21.01.13	LINEAR 0.0±0.35	1:1	Wang_jr	21.01.13	WLM2F9-052XXX058	ENDE05
			ANGLES 0.00±0.25		Han_Gao	21.01.13	TITLE: Micro USB 5P/F SMT B Type L=6.6mm IPX6	
			UNIT:mm SIZE: A4		Zijun_Huang	21.01.13		
			0.00±0.10					



REV: A0 SHEET: 1/1