

The product using material and processing must conform to the "WI-PZ-001" HSF technical standard control requirements

RoHS

NOTE:

1.MATERIAL SPECIFICATION:

- 1-1.INSULATOR-1:PA66 UL 94HB BLACK
- 1-2.INSULATOR-2:PA66 UL 94HB BLACK
- 1-3.WASHER-1:STEEL NICKEL PLATING
- 1-4.BUSHING:BRASS NICKEL PLATING
- 1-5.TERMINAL 1:STAINLESS STEEL NICKEL PLATING
- 1-6.TERMINAL 2:STAINLESS STEEL NICKEL PLATING
- 1-6.WASHER-2:STEEL
- 1-6.NUT:BRASS

2.PLATING SPECIFICATION:

- 2-1.WASHER-1: NICKEL PLATING
- 2-2.BUSHING: NICKEL PLATING
- 2-3.TERMINAL: NICKEL PLATING
- 2-4.WASHER-2: NICKEL PLATING
- 2-5.NUT: NICKEL PLATING

3.MECHANICAL PERFORMANCE:

- 3-1.INSERTION AND EXTRACTION FORCE:5N~35N
- 3-3.DURABILITY: 5000 CYCLES.

4.ELECTRICAL PERFORMANCE:

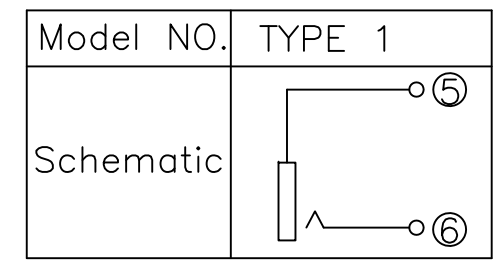
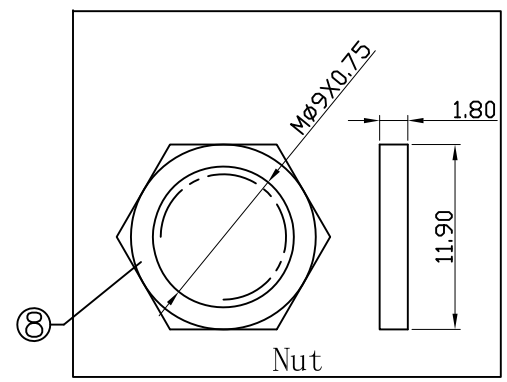
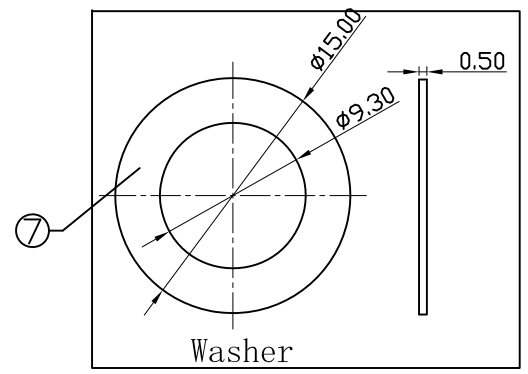
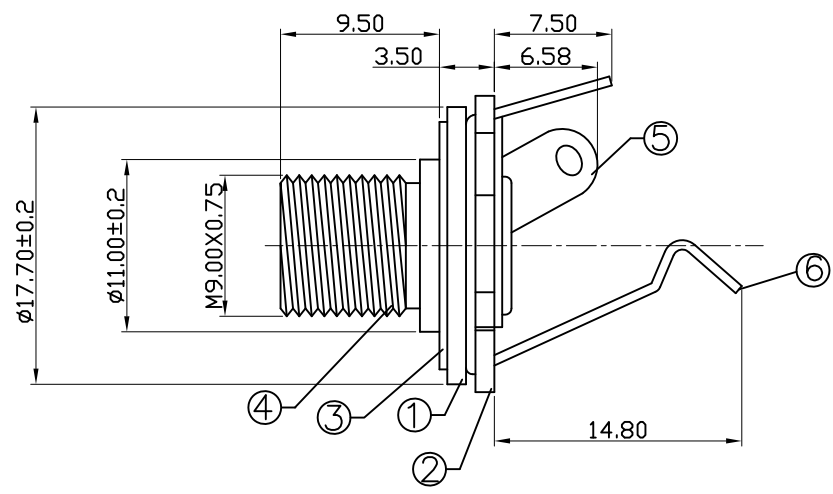
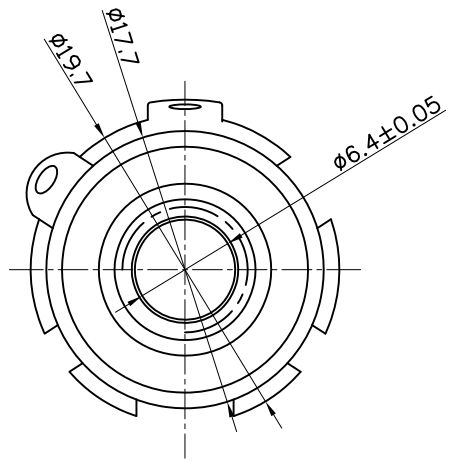
- 4-1.RATED CURRENT:1.0A
- 4-2.NOMINAL VOLTAGE:30V
- 4-3.CONTACT RESISTANCE: 30mΩ MAX  
AFTER TEST: 50mΩ MAX
- 4-4.INSULATION RESISTANCE: 100MΩ MIN  
AFTER TEST: 50MΩ MIN
- 4-5.WITHSTANDING VOLTAGE: 500V AC

- 5.OPERATION TEMPERATURE RANGE:-20°C~+70°C
- PRESERVATIVE TEMPERATURE RANGE:-40°C~85°C

6.P/N:

WLPJF0-024 X X 0054

PLATED: 1.G/F 8.AG 9.NI  
HOUSING: 1.PA66 BLACK 2.PBT BLACK



REV.	REVISION RECORD	DATE		GENERAL TOLERANCES		SCALE: 1:1	NAME	DATE	PART. NO: WLPJF0-024XX0054	DWG. NO: ENDE05	
A0	NEW RELEASE	21. 01. 13		LINEAR	ANGLES	APPROVED	Wang_jr	21. 01. 13			
			0. 0 ± 0. 35	X° REF ± 6°	DESIGNER	Han_Gao	21. 01. 13	TITLE: □6. 35 PHONE JACK			
			0. 00 ± 0. 25	X° ± 3°	DRAWN	Zi_jun_Huang	21. 01. 13				
			UNIT: mm	0. 000 ± 0. 10	X° X' ± 2°				REV: A0	SHEET: 1/1	