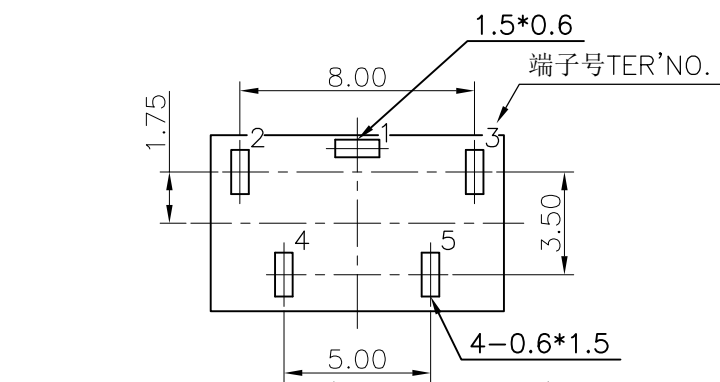
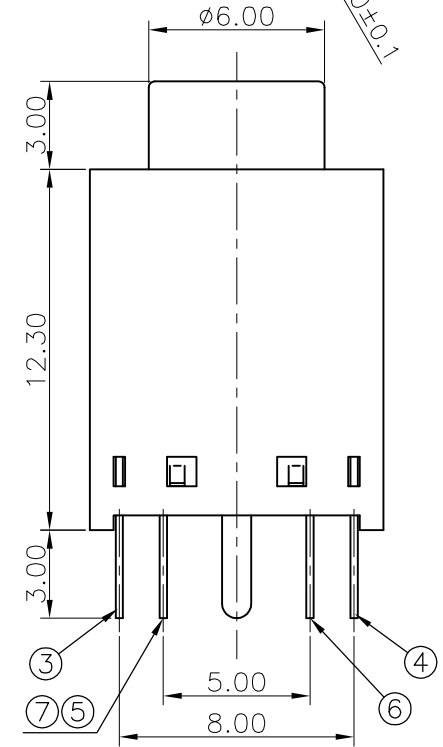
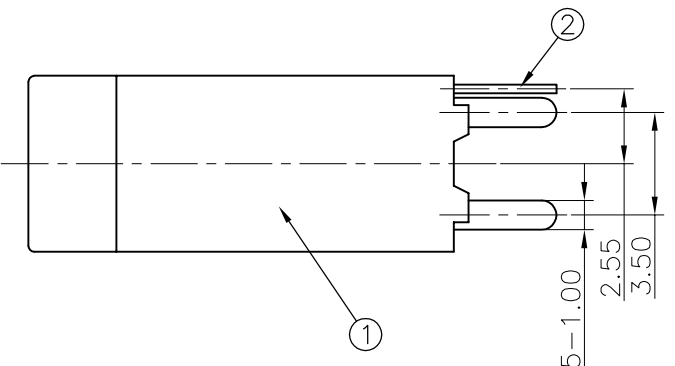
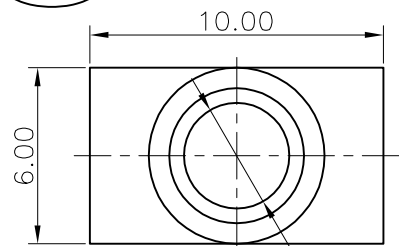


The product using material and processing must conform to the "WL-PZ-001" HSF technical standard control requirements

RoHS

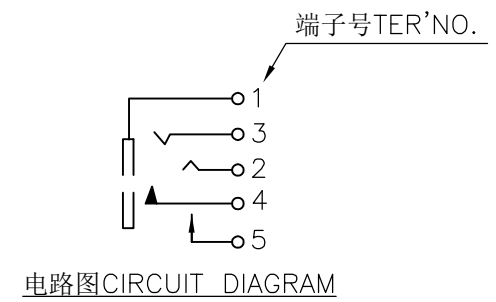


PCB孔尺寸PCB HOLES (顶视图TOP VIEW) t=1.6mm  
注NOTE:未注公差GENERAL TOLERANCE  $\pm 0.1$ mm

- NOTE:
- MATERIAL SPECIFICATION:
    - 1-1.HOUSING:PBT
    - 1-2.TERMINAL 1:PHOSPHOR BRONZE T=0.25mm
    - 1-3.TERMINAL 2:PHOSPHOR BRONZE T=0.25mm
    - 1-4.TERMINAL 3:PHOSPHOR BRONZE T=0.25mm
    - 1-5.TERMINAL 4:PHOSPHOR BRONZE T=0.25mm
    - 1-6.TERMINAL 5:BRASS T=0.25mm
    - 1-7.INSULATOR:PA66
  - PLATING SPECIFICATION:
    - 2-1.TERMINAL 1/2/3/4/5:AG PLATING ON CONTACT AREA.
  - MECHANICAL PERFORMANCE:
    - 3-1.INSERTION AND EXTRACTION FORCE:3N~30N
    - 3-3.DURABILITY: 5000 CYCLES.
  - ELECTRICAL PERFORMANCE:
    - 4-1.RATED CURRENT:0.5A
    - 4-2.NOMINAL VOLTAGE:30V
    - 4-3.CONTACT RESISTANCE: 50m $\Omega$  MAX, AFTER TEST:100m $\Omega$  MAX
    - 4-4.INSULATION RESISTANCE:100M $\Omega$  MIN AFTER TEST:50M $\Omega$  MIN
    - 4-5.WITHSTANDING VOLTAGE: 500V AC
  - OPERATION TEMPERATURE RANGE:-20°C~+70°C
  - P/N: WLPJF0-05 X X 1 0 061

PLATED:  
1.G/F  
7.SN  
8.AG

HOUSING:  
1.PBT BLACK  
2.PBT GREEN



REV.	REVISION RECORD	DATE	UNIT:mm	GENERAL TOLERANCES		SCALE:	NAME	DATE	PART.NO:	DWG.NO:	
A0	NEW RELEASE	21.01.13		LINEAR	ANGLES	1:1					
			0.00±0.25	X'±3'	DESIGNER	Han_Gao	21.01.13	TITLE:		PHONE JACK	
			0.000±0.10	X'X' ±2'	DRAWN	Zijun_Huang	21.01.13			REV: A0	SHEET: 1/1