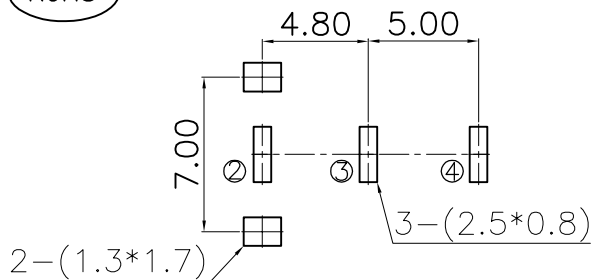
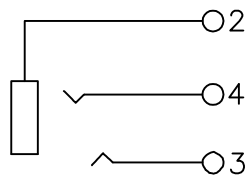


The product using material and processing must conform to the "WL-PZ-001"HSF technical standard control requirements

RoHS

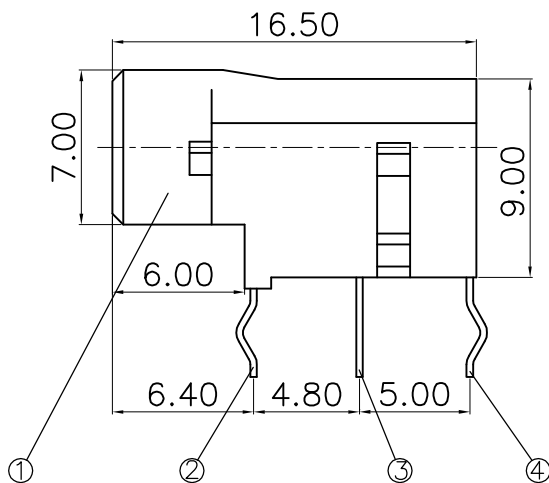
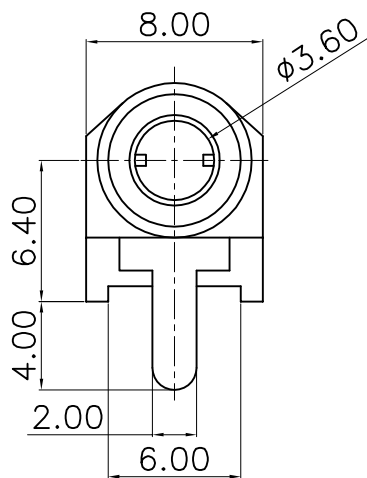


P.C.B LAYOUT TOP VIEW



CIRCUIT DIAGRAM

- NOTE:
- MATERIAL SPECIFICATION:
    - HOUSING:PBT COLOUR:BLACK
    - TERMINAL 1:BRASS
    - SHRAPNEL:C5191
    - TERMINAL 2:C5191
  - PLATING SPECIFICATION:
    - TERMINAL 1,2:
      - AG-PLATED ON CONTACT AREA.
    - SHRAPNEL
      - AG-PLATED ON CONTACT AREA.
  - MECHANICAL PERFORMANCE:
    - EXTRACTION FORCE:3N MIN
    - INSERTION FORCE:30N MAX
    - LIFE TEST: 3000 CYCLES
  - ELECTRICAL PERFORMANCE:
    - RATED CURRENT:1A
    - NOMINAL VOLTAGE:12V DC
    - CONTACT RESISTANCE: 30mΩ MAX,
    - INSULATION RESISTANCE:100MΩ MIN
    - WITHSTANDING VOLTAGE: 500V AC
- 5.OPERATION TEMPERATURE RANGE:-20°C~+85°C  
 6.P/N: WLPJF9-03 X 1 1 0 064



PLATED: 1.G/F  
 7.SN  
 8.AG

HOUSING:  
 1.PBT BLACK

REV.	REVISION RECORD	DATE		GENERAL TOLERANCES		SCALE: 1:1	NAME	DATE	PART.NO: WLPJF9-03X110064	DWG.NO: ENDE05	
A0	NEW RELEASE	21.01.13		LINEAR	ANGLES	APPROVED	Wang_jr	21.01.13			
			0.0±0.35	X'REF±6'	DESIGNER	Han_Gao	21.01.13	TITLE: PHONE JACK			
			UNIT:mm	0.00±0.25	X'±3'	DRAWN	Zijun_Huang		21.01.13		
			SIZE: A4	0.000±0.10	X'X' ±2'				REV: A0	SHEET: 1/1	