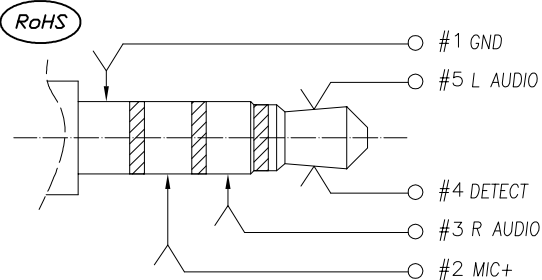
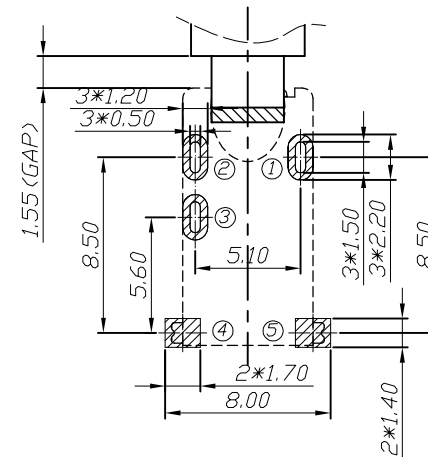
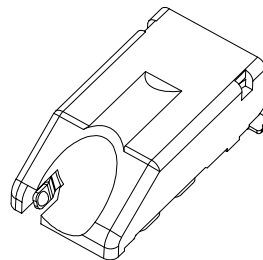


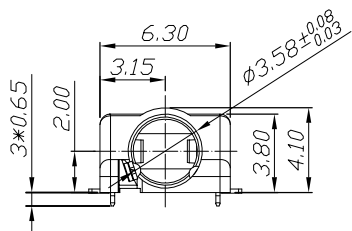
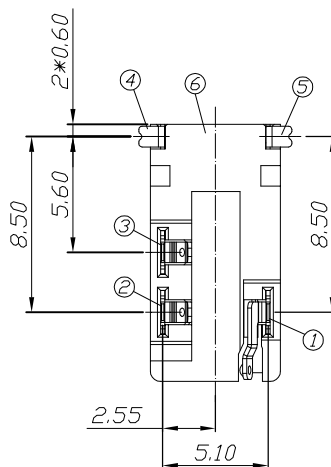
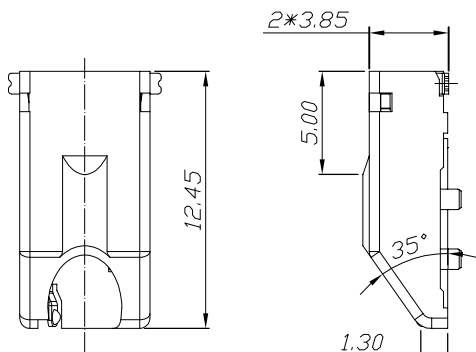
The product using material and processing must conform to the "WI-PZ-001"HSF technical standard control requirements



MALE PLUG SCHEMATIC



RECOMMEND PCB LAYOUT  
TOLERANCE:±0.05



NOTE:  
1.ELECTRICAL PERFORMANCE:  
1-1.CURRENT RATING:0.5A  
1-2.VOLTAGE RATING:12V MAX  
1-3.CONTACT RESISTANCE: 50 milliOHM (Initial) Max.  
1-4.INSULATION RESISTANCE: 100 MEGOHM Min.  
1-5.DIELECTRIC WITHSTANDING VOLTAGE: 500V AC MIN.  
2.ENVIRONMENTAL PERFORMANCE  
OPERATING TEMPERATURE: -20°C~+85°C.

WLPJF9-05 3 X X 0 011  
PLATING: COLOUR:  
1-G/F A:Black  
2-AU 3U"  
5-AU 15U"  
6-AU 30U"

6	Housing	THERMOPLASTIC,UL 94V-0, COLOR: BLACK	1	
5	Contact #5		1	
4	Contact #4		1	
3	Contact #3	Underplating:Plated Ni 50u" Min.	1	
2	Contact #2	Contact area: Gold Flash Plated	1	
1	Contact #1		1	
ITEM	NAME	FINISH	Q'ty	REMARK

REV.	REVISION RECORD	DATE	GENERAL TOLERANCES		SCALE: 1:1	NAME	DATE	PART.NO:	DWG.NO:	 WanLian Teconology Co., Ltd	
A0	NEW RELEASE	21.01.13	LINEAR	ANGLES	APPROVED	Wang_jr	21.01.13	WLPJF9-053XX0011	ENDE05		
			0.0±0.35	X°REF±6°	DESIGNER	Ding_bo	21.01.13	TITLE:			
			UNIT: mm	0.00±0.25	X°±3°	DRAWN	Du_jian	21.01.13	ø3.5 JACK 3.8H SMT+DIP TYPE		REV: A0
			SIZE: A4	0.000±0.10	X°X'±2°						