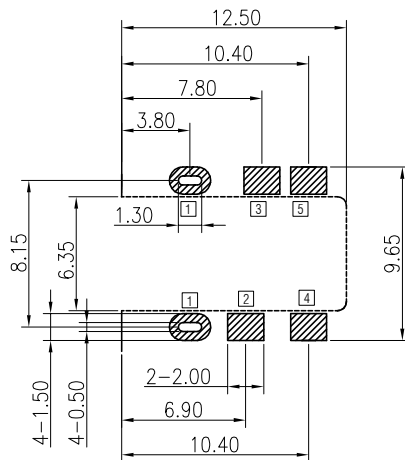
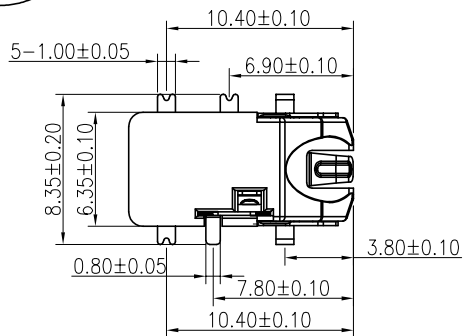
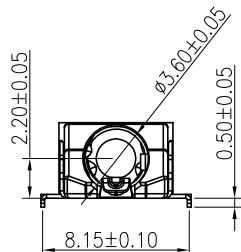
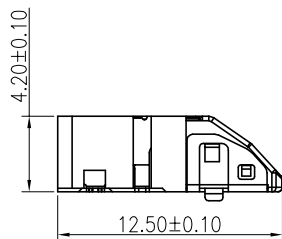


The product using material and processing must conform to the "WI-PZ-001"HSF technical standard control requirements

RoHS



RECOMMEND PAD LAYOUT



NOTE:

1.MATERIAL SPECIFICATION:

- 1-1.HOUSING:HIGH TEMPERATURE, UL94V-0,
- 1-2.CONTACTS:C5210R-EH

2.PLATING SPECIFICATION:

- 2-1.CONTACTS:
- Ni 50u" MIN. UNDER PLATED OVER ALL.
- Au PLATED ON THE FUNCTIONAL AREA OF CONTACT.

3.ELECTRICAL PERFORMANCE:

- 3-1.CURRENT RATING:1.0A
- 3-2.VOLTAGE RATING:12V MAX
- 3-3.CONTACT RESISTANCE: 50 milliOHM (Initial) Max.
- 3-4.INSULATION RESISTANCE: 100 MEGOHM Min.
- 3-5.DIELECTRIC WITHSTANDING VOLTAGE: 500V AC MIN.

4.ENVIRONMENTAL PERFORMANCE

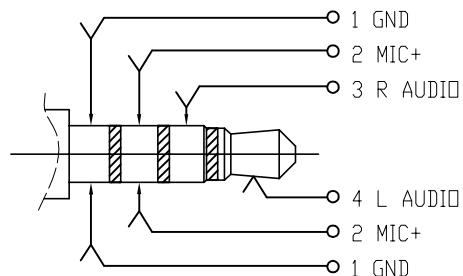
OPERATING TEMPERATURE: -20°C~+85°C.

5.PACKAGE SPEC: REEL

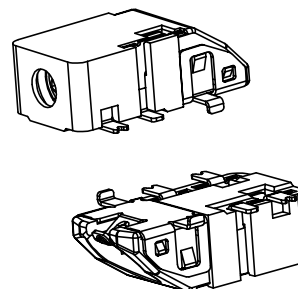
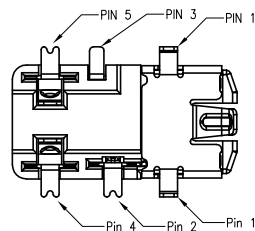
WLPJF9-05 3 X X 0 014

PLATING: COLOUR:
A:Black

- 1-G/F
- 2-AU 3U"
- 5-AU 15U"
- 6-AU 30U"



MALE PLUG SCHEMATIC



REV.	REVISION RECORD	DATE		GENERAL TOLERANCES		SCALE: 1:1	NAME	DATE	PART.NO: WLPJF9-053XX0014	DWG.NO: ENDE05	
AO	NEW RELEASE	21.01.13		LINEAR	ANGLES	APPROVED	Wang_jr	21.01.13			
			0.0±0.35	X°REF±6°	DESIGNER	Ding_bo	21.01.13	TITLE: ø3.5mm Jack 4.2h DIP+SMT			
			UNIT:mm	0.00±0.25	X°±3°	DRAWN	Ou_jian		21.01.13		
			SIZE: A4	0.000±0.10	X°X' ±2°				REV: A0	SHEET: 1/2	

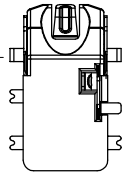
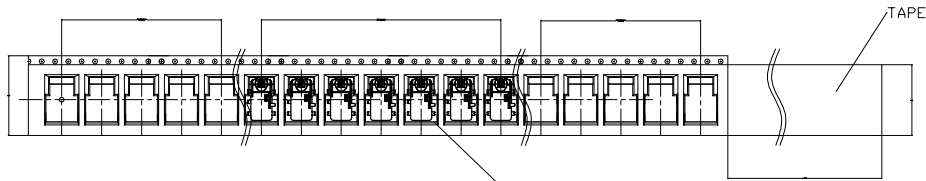
WanLian Teconology Co., Ltd

The product using material and processing must conform to the "WI-PZ-001"HSF technical standard control requirements

RoHS

C:OUT CARTON

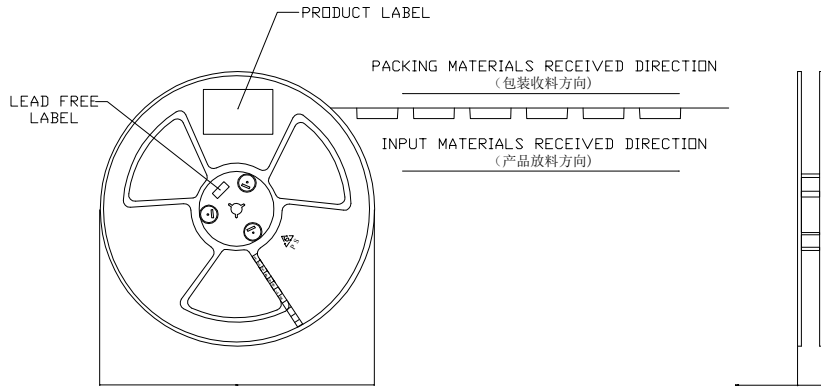
A: CARRIER SIZE



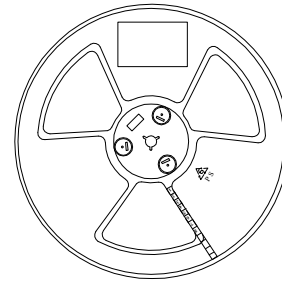
- 1) DETAIL SIZES REFERENCE: EIA-481
- 2) SPEC.:24mm * 12.5M Q'TY: 1040 PCS
- 3) COVER TAPE:SPEC.ATTACHED<CONDUCTIVE>

SEC 4:1

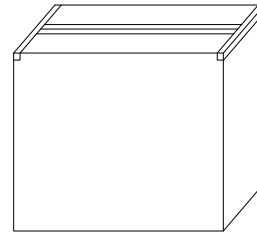
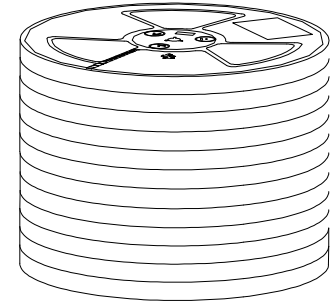
B: REEL SIZE



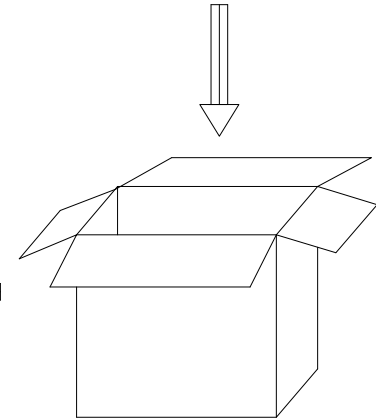
- 1) REFERENCE: EIA-481
- 2) QUANTITY: 1000PCS / REEL
- 3) MATERIAL: P.S



12 REEL
INNER CARTONS



SHIPPING CARTON



OUT CARTON: 33x33x35.5 mm

1) QUANTITY: 12000PCS / CARTON

REV.	REVISION RECORD	DATE		GENERAL TOLERANCES		SCALE: 1:1	NAME	DATE	PART.NO: WLPJF9-053XX0014	DWG.NO: ENDE05	 WanLian Teconology Co., Ltd
A0	NEW RELEASE	21.01.13		LINEAR	ANGLES	APPROVED	Wang_jr	21.01.13			
			0.0±0.35	X°REF±6°	DESIGNER	Ding_bo	21.01.13	TITLE: 3.5mm Jack 4.2h board type (front insert and back paste)			
			UNIT:mm	X°±3°	DRAWN	Ou_jian	21.01.13				
			SIZE: A4	0.000±0.10	X°X' ±2°				REV: A0	SHEET: 2/2	