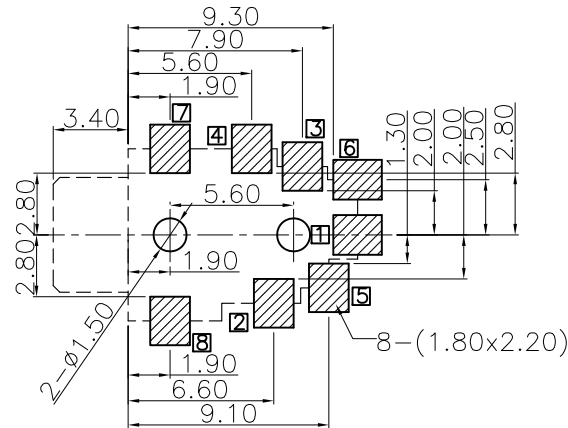
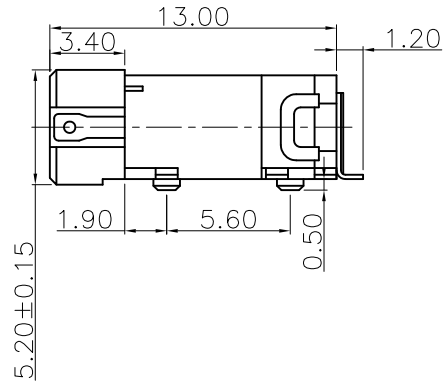
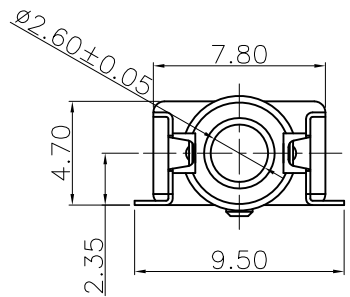


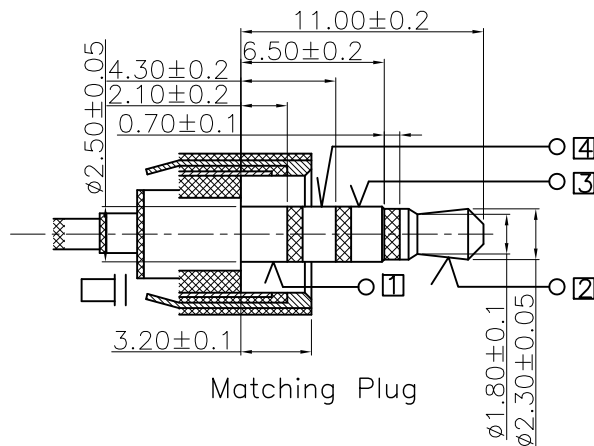
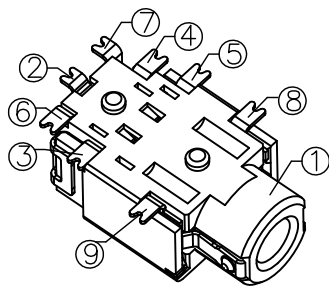
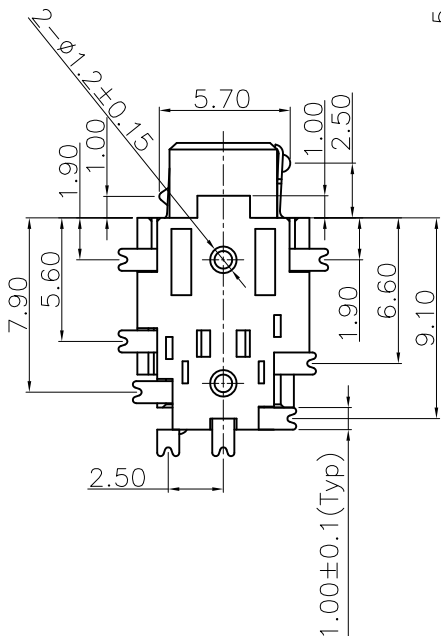
The product using material and processing must conform to the "WI-PZ-001"HSF technical standard control requirements

RoHS



RECOMMENDED P.C.B. LAYOUT  
UNSPECIFIED TOLERANCE:±0.05  
(TOP VIEW)

- NOTE:
- MATERIAL SPECIFICATION:
    - HOUSING:PA9T
    - TERMINAL 1/3: STAINLESS STEEL T=0.2mm
    - TERMINAL 2/4/7/8: PHOSPHOR BRONZE T=0.2mm
    - TERMINAL 5/6: BRASS T=0.2mm
  - PLATING SPECIFICATION:
    - TERMINAL 1/2/3/4/5/6: SILVER PLATING ON CONTACT AREA.
    - TERMINAL 7/8: GOLD FLASH ON CONTACT AREA.
  - MECHANICAL PERFORMANCE:
    - INSERTION AND EXTRACTION FORCE:3N~30N
    - DURABILITY: 5000 CYCLES.
  - ELECTRICAL PERFORMANCE:
    - RATED CURRENT:0.5A
    - NOMINAL VOLTAGE:30V
    - CONTACT RESISTANCE: 50mΩ MAX  
AFTER TEST:100mΩ MAX
    - INSULATION RESISTANCE: 100MΩ MIN  
AFTER TEST:50MΩ MIN
    - WITHSTANDING VOLTAGE: 500V AC
  - OPERATION TEMPERATURE RANGE:-20°C~+70°C  
PRESERVATION TEMPERATURE RANGE:-40°C~85°C
  - P/N: WLPJF9-08 X 1 1 X 052



Matching Plug

- PLATED:
- 1.G/F
  - 7.SN
  - 8.AG
- HOUSING:
- 1.PA9T BLACK
- CIRCUIT DIAGRAM:
- TYPE Q
  - TYPE U
  - TYPE W
  - TYPE T
  - TYPE K

Model No.	TYPE Q	TYPE U	TYPE W	TYPE T	TYPE K
Schematic code					

REV.	REVISION RECORD	DATE	UNIT:mm	GENERAL TOLERANCES		SCALE:	NAME	DATE	PART.NO:	DWG.NO:	
AO	NEW RELEASE	21.01.13		LINEAR	ANGLES	1:1	Wang_jr	21.01.13	WLPJF9-08X11X052	ENDE05	
			0.00±0.25	X°±3°	APPROVED	Han_Gao	21.01.13	TITLE:		REV: A0	SHEET: 1/1
			0.000±0.10	X°X' ±2°	DESIGNER	Zijun_Huang	21.01.13	φ2.5 PHONE JACK			