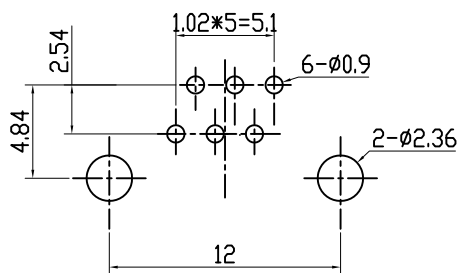
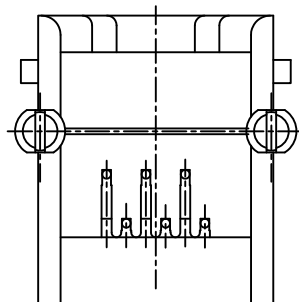
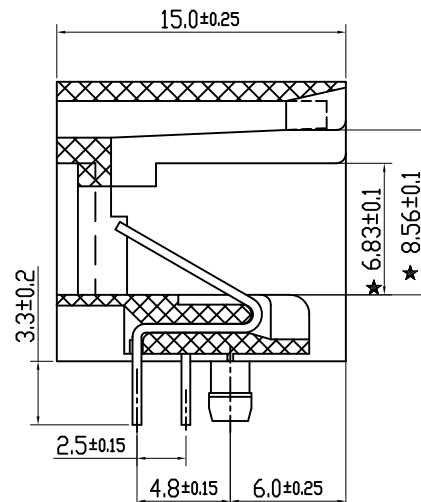
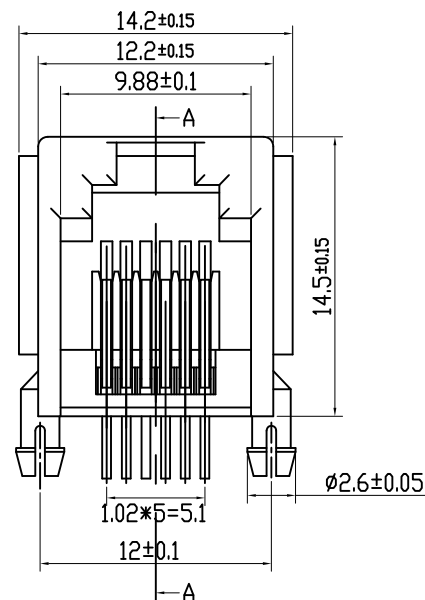


The product using material and processing must conform to the "WI-PZ-142" HSF technical standard control requirements



PCB LAYOUT
TOLERANCES: ±0.05

SPECIFICATION NOTES:

ELECTRICAL:

1. VOLTAGE RATING: 125 VAC RMS
2. CURRENT RATING: 1.5 AMP
3. CONTACT RESISTANCE: 20mΩ MAX.
4. INSULATION RESISTANCE: 1000MΩ MIN. AT 500V DC.
5. DIELECTRIC STRENGTH: 1000 V AC OR 1500V DC RMS AT 0.5mA 50 Hz / 60 Hz FOR 1 MINUTE

MECHANICAL:


1. HOUSING&INSERT&MATERIAL: SAY THE TABLE
2. CONTACT MATERIAL: DIA. PHOSPHOR BRONZE $\varnothing=0.46\text{MM}$
3. PLATING: GOLD PLATING AT CONTACT AREA, NICKEL 30U MIN. OVER ALL
4. OPERATING LIFE: 1500 CYCLES MIN.
5. MATING/UNMATING FORCE: 30N/3.06KG MAX.
6. RETENTION STRENGTH: 50N MIN. FOR 60S ± 5S

ENVIRONMENTAL:

1. STORAGE: -40° C TO +85° C
RELATIVE HUMIDITY < 80%
2. OPERATION: -40° C TO +85° C
WAVE SOLDERING TEMPERATURE: 260 ± 5° C 5~10 SECONDS. MATES WITH MODULAR PLUG CONFORMING TO FCC PART 68, SUBPART F.

WLR4F9-06 1 X X 01-046

PLATING: 1—G/F
2—AU 3U”
5—AU 15U”
6—AU 30U”
Colour: A:Black

REV.	REVISION RECORD	DATE	UNIT: mm	GENERAL TOLERANCES		SCALE: 1:1	NAME	DATE	PART. NO:	DWG. NO:	 WanLian Teconology Co., Ltd
AO	NEW RELEASE	21.01.13		SIZE: A4	L INEAR	ANGLES	APPROVED	Wang_jr	21.01.13	WLR4F9-061XX01-046	
				0.0 ± 0.35	X° REF ± 6°	DESIGNER	Ding_bo	21.01.13	TITLE: RJ45插座 6P6C 有耳 脚径2.6		REV: AO
				0.00 ± 0.25	X° ± 3°	DRAWN	Ou_jian	21.01.13			SHEET: 1/1
				0.000 ± 0.10	X° X' ± 2°						