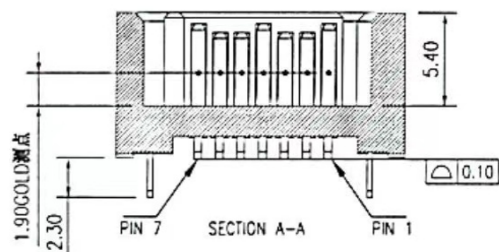
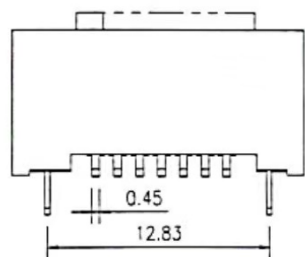
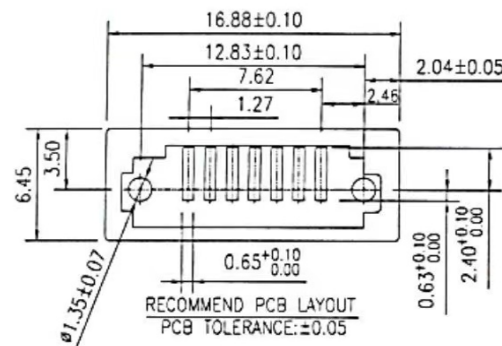
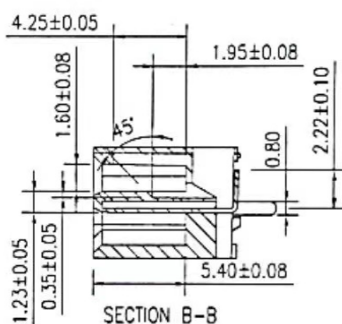
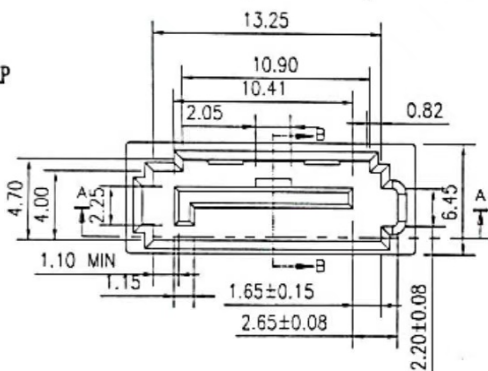
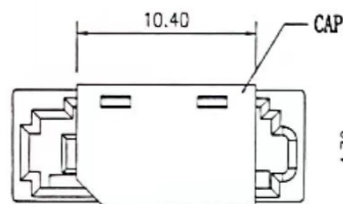
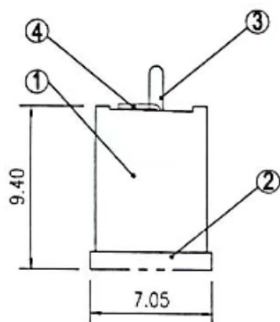
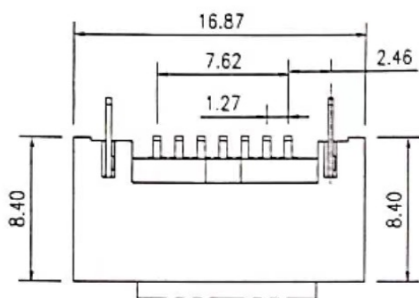


The product using material and processing must conform to the "WL-PZ-001" HSF technical standard control requirements

NOTES:

Current Rating: 1.5 Ampere Per Contact;  
 Operation Voltage: 15V DC Max.  
 Contact Resistance: 30mΩ Max.  
 Insulation Resistance: 1000MΩ Min.  
 Dielectric Withstanding Voltage: 500V AC.  
 Insertion Force: 45N Max.  
 Withdrawal Force: 10N Min.  
 Packing: Tape reel



P/N:

WLSAFO-07 2 X X 0004

PLATING:

1-G/F  
 5-AU 15u"  
 6-AU 30u"

Colour:  
 A-Black  
 G-Blue

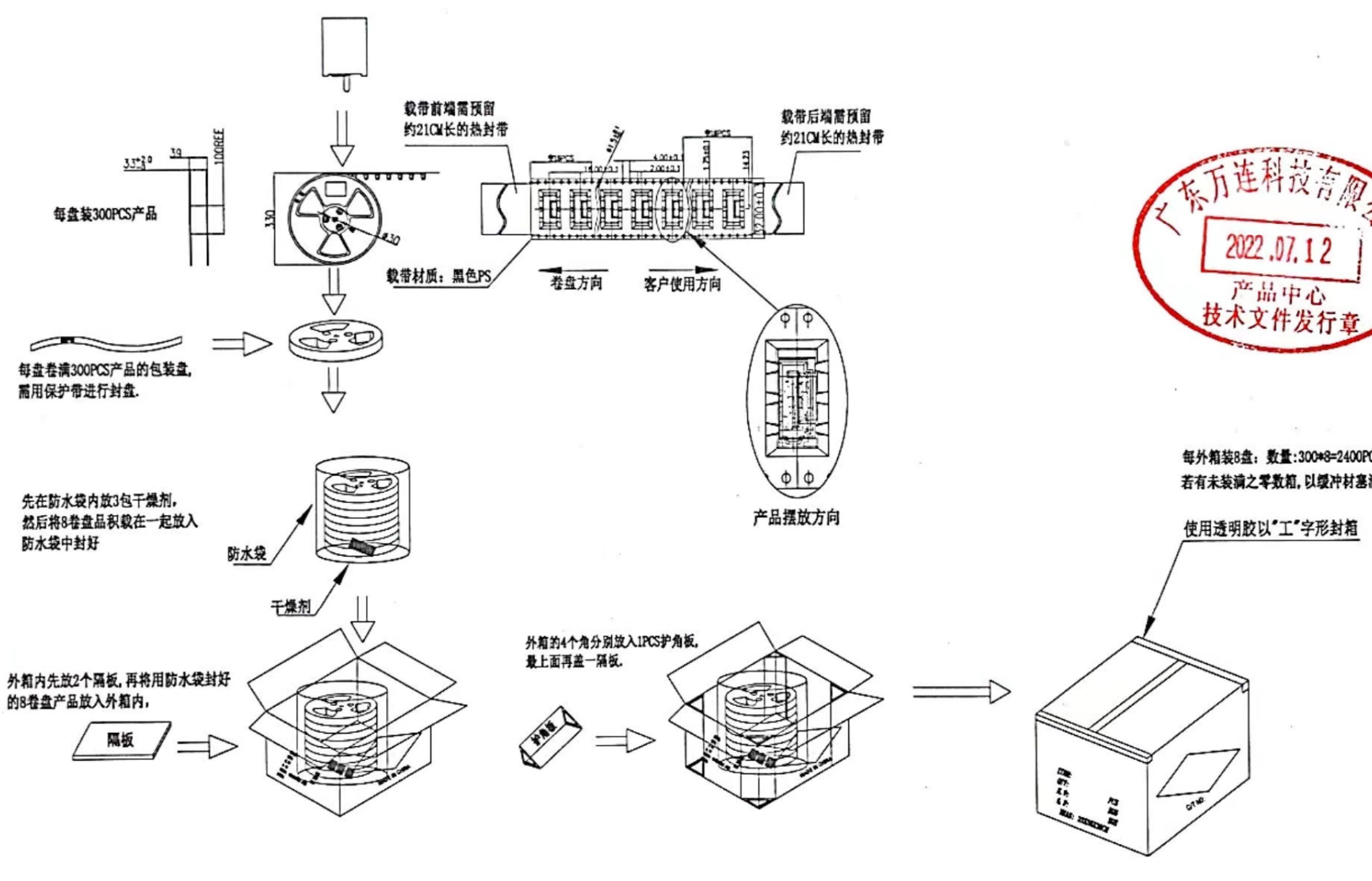
NO.	NAME	MATERIAL	QTY	STANDARD	NOTE
4	CONTACT	PHOSPHOR BRONZE	7	2U"MIN. GOLD PLATING ON CONTACT AREA 100U"MIN.TIN PLATING ON SOLDERTAILS 50U" MIN.NICKEL UNDERPLATING OVER ALL	C5191
3	PEG	PHOSPHOR BRONZE	2	100U"MIN.TIN PLATION ON SOLDERTAILS 50U"MIN. NICKEL UNDERPLATING OVER ALL	C5191
2	COVER	LCP 30% G/F	1	UL94V-0	BLACK
1	HOUSING	LCP 30% G/F	1	UL94V-0	BLUE

REV.	REVISION RECORD	DATE	GENERAL TOLERANCES	SCALE:	NAME	DATE	PART NO:	DWG NO:
A0	NEW RELEASE	21.01.13	LINEAR	1:1			WLSAFO-072XX0004	ENDE05
A1	CHANGE REV	22.07.12	ANGLES	APPROVED	王合川	2022/7/12		
			0.0±0.35	DESIGNER	王合川	2022/7/12	TITLE: SATA 7P AB型180度不开槽全包立贴 接地片上折加防尘盖	
			0.00±0.25	DRAWN	徐兰霞	2022.7.12		
			0.000±0.10					



REV: A1 SHEET: 1/2

The product using material and processing must conform to the "WL-PZ-001"HSF technical standard control requirements



REV.	REVISION RECORD	DATE		GENERAL TOLERANCES		SCALE: 1:1	NAME	DATE	PART.NO:	DWG.NO:	 WanLian Teconology Co., Ltd	
A0	NEW RELEASE	21.11.17		LINEAR	ANGLES	APPROVED		2022.7.12	WLSAF0-072XX0004	ENDE05		
A1	CHANGE REV	22.07.12	UNIT:mm	0.00±0.25	X'±3'	DESIGNER		2022.7.12	TITLE: SATA 7P AB型180度不开槽全包立贴 接地片上折加防尘盖		REV: A1	SHEET: 2/2
			SIZE: A4	0.000±0.10	X'X' ±2'	DRAWN		2022.7.12				