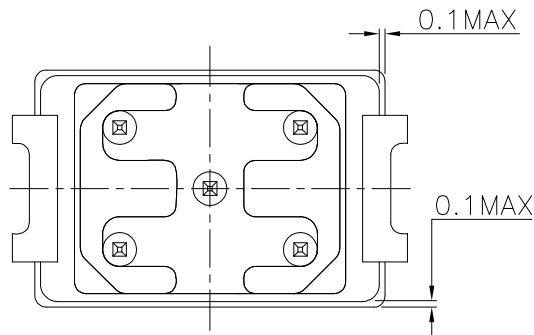
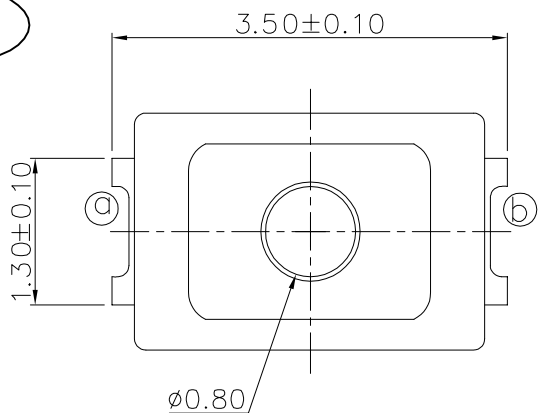
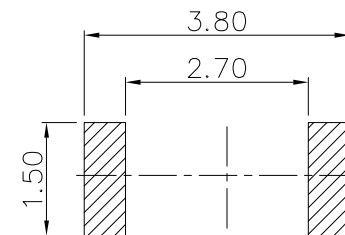


The product using material and processing must conform to the "WI-PZ-001"HSF technical standard control requirements

RoHS

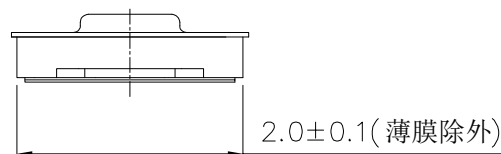
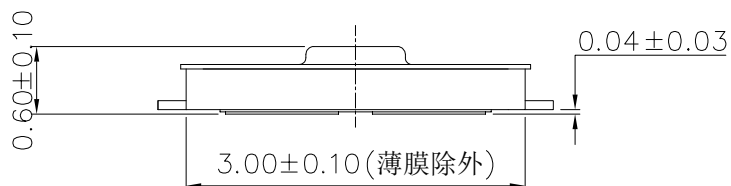


SCHEMATIC



P.C.B.LAYOUT

(height) L=	■ A	0.6 mm
	□ B	0.65 mm
	□ C	0.7 mm
(force) F=	□ 1	120 gf
	■ 2	160 gf
	□ 3	180 gf
	□ 4	200 gf
	□ 5	220 gf
	□ 6	240 gf
	□ 7	330 gf



PART ORDER:
WLSW10-01 2 X X 0 027

PLATING: 8-Ag
COLOUR: A:Black, K:White

* CRITICAL DIMENSION

5	KNOB	POLYAMIDE	1	BLACK
4	SCREEN	PE	1	WHITE
3	DOME	SUS301	1	Ag PLATED
2	HOUSING	POLYAMIDE	1	BLACK
1	TERMINAL	PHOSPHOR BRONZE	1	Ag PLATED
NO.	PART NAME	MATERIAL	QTY	FINISHING

REV.	REVISION RECORD	DATE	UNIT:mm	GENERAL TOLERANCES		SCALE: 1:1	NAME	DATE	PART.NO: WLSW10-012XX0027	DWG.NO: ENDE05	TITLE: TACT SWITCH	REV: A0	SHEET: 1/1
A0	NEW RELEASE	21.01.13		LINEAR	ANGLES	APPROVED							
			0.00±0.25	X'±3'	DESIGNER	Ding_bo	21.01.13						
			0.00±0.10	X'X' ±2'	DRAWN	Ou_jian	21.01.13						

