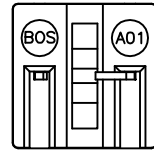
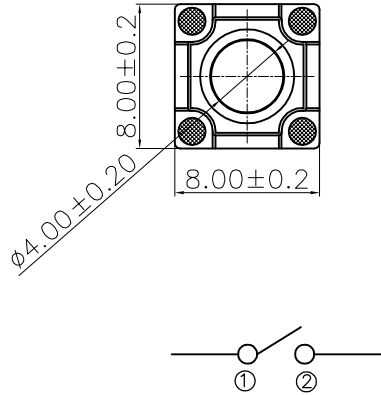
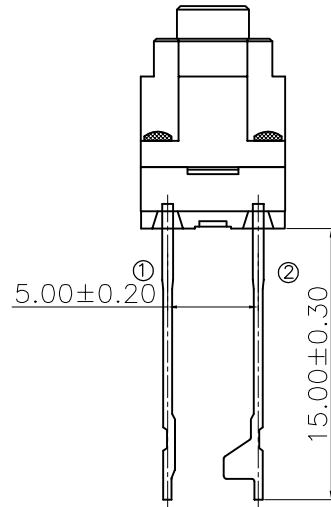
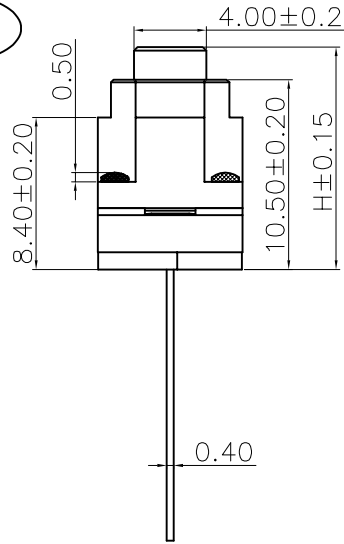


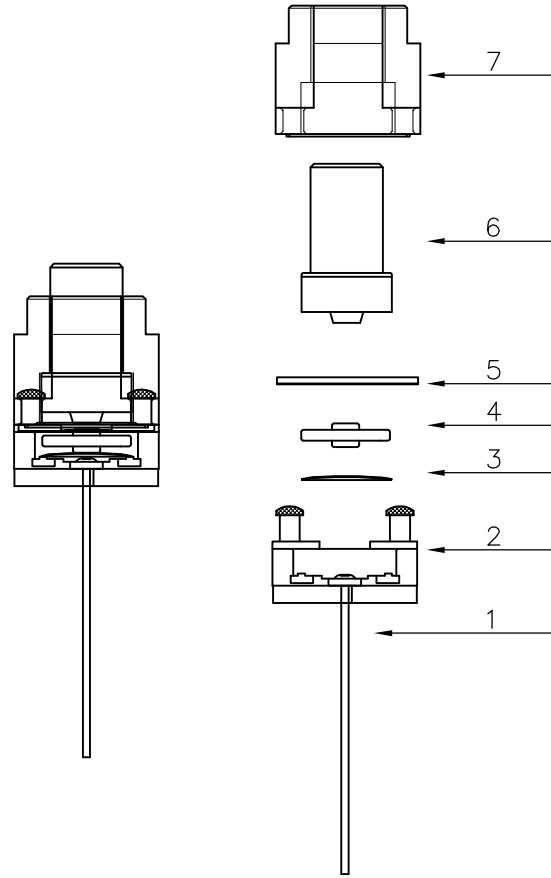
The product using material and processing must conform to the "WI-PZ-001" HSF technical standard control requirements

RoHS



原理图

印刷线路板开孔



NOTE:

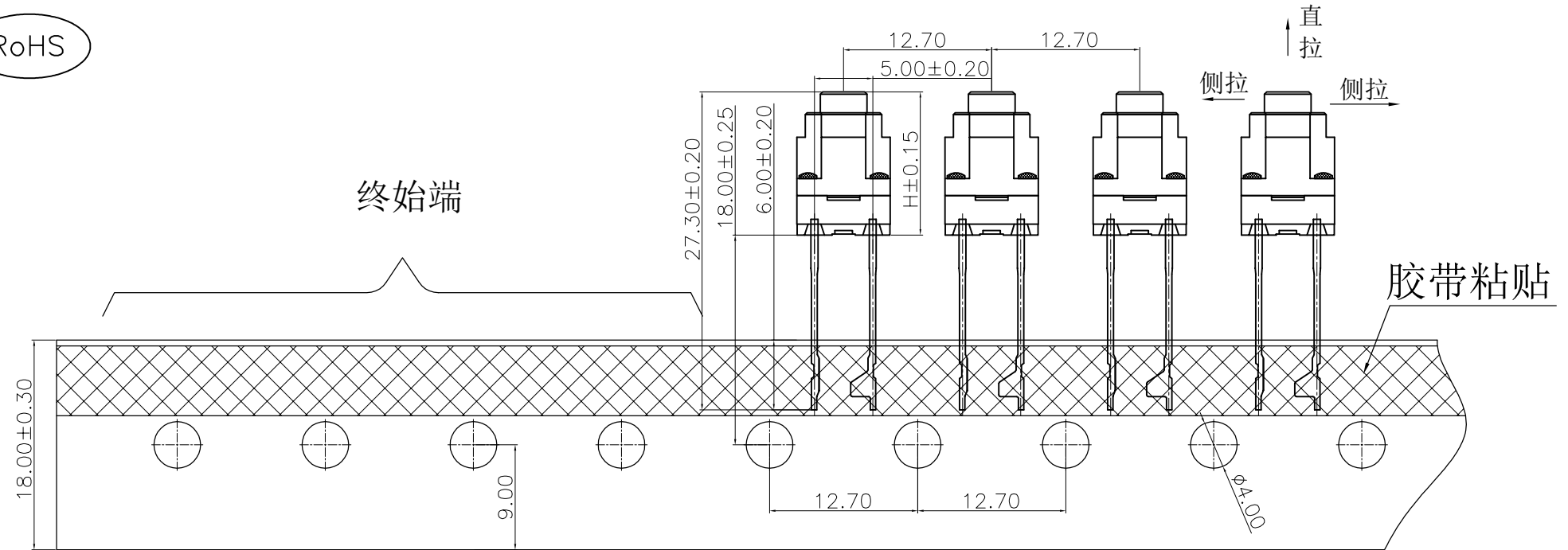
- MATERIAL SPECIFICATION:
 - 1-1.CONTACTS:BRASS T=0.4mm
 - 1-2.HOUSING:PPA COLOUR:BLACK
 - 1-3.SHRAPHNEL:φ5 STAINLESS STEEL
 - 1-4.INNER CUSHION:PPA COLOUR:BLACK
 - 1-5.WATERPROOF COMPOSITE VINYL: POLYIMIDE COLOUR:BLACK AND YELLOW
 - 1-6.BUTTON: PPA COLOUR:BLACK
 - 1-7.COVER: PPA COLOUR:BLACK
 - PLATING SPECIFICATION:
 - 2-1.CONTACT:AG PLATED ON CONTACT AREA
 - 2-2.SHRAPHNEL:AG PLATED.
 - ELECTRICAL PERFORMANCE:
 - 3-1.RATING CURRENT:50mA DC
 - 3-2.RATING VOLTAGE:12V DC
 - 3-3.CONTACT RESISTANCE: 100mΩ MAX;
 - 3-4.INSULATION RESISTANCE:100MΩ MIN
 - 3-5.WITHSTANDING VOLTAGE: AC 250V/50HZ,1MIN
 - MECHANICAL PERFORMANCE:
 - 4-1.DURABILITY: 100000 CYCLES.
 - 4-2.WATERPROOF:IP67
 - OPERATION TEMPERATURE RANGE:-20°C~+85°C
 - PACKAGE SPEC: PE STRAP PACKING
 - P/N: WLSW10-02 1 8 A X 059
- PLATED: 8.AG
COLOUR: A.BLACK
- A.H=12.30mm
B.H=13.00mm
C.H=14.00mm
D.H=15.00mm
E.H=16.00mm

N (按力值gf)			
180	250	350

REV.	REVISION RECORD	DATE		GENERAL TOLERANCES		SCALE: 1:1	NAME	DATE	PART.NO: WLSW10-0218AX059	DWG.NO: ENDE05	
A0	NEW RELEASE	21.01.13		LINEAR	ANGLES	APPROVED	Wang_jr	21.01.13			
			UNIT:mm	0.00±0.25	X°±3°	DESIGNER	Han_Gao	21.01.13	TITLE: TACT SWITCH		
			SIZE: A4	0.000±0.10	X°X' ±2°	DRAWN	Zijun_Huang	21.01.13			

The product using material and processing must conform to the "WI-PZ-001"HSF technical standard control requirements

RoHS



技术要求:

- 1.本产品不含环境危险物质,适用于RoHS指令2011/65/EU要求。
- 2.纸带:用宽18mm,厚0.45mm,编带定位孔间距为 $12.7\pm 0.2\text{mm}$ 。
- 3.起始端和终止端分别空置不少于5个的位置,防止裁脚使用时,因上料而浪费;正常编带后按24只空1个位置的顺序编,防止编带后折弯装盘变形。
- 4.胶带粘贴的牢固度:为了防止因粘贴不牢固而脱落,或不同心而造成后续裁脚尺寸保证困难。要求其测拉力要大于1.5N,直拉力要大于5N。

序号	H (产品总高/mm)
01	12.3
02	13.0
03	14.0
04	15.0
05	16.0
.....

N (按力值gf)			
180	250	350

部件规格表

序号	部件名称	部件材料	部件用量	其它
1	卡件	0.4黄铜	1PCS	镀银白色
2	基座	PPA	1PCS	黑色
3	弹片	Φ5进口不锈钢覆银	1PCS	镀银白色
4	内垫子	PPA	1PCS	黑色
5	复合防水胶	聚酰亚胺(防水黑胶+防水膜)	1PCS	黑色+黄色
6	按钮	PPA	1PCS	黑色
7	盖板	PBT	1PCS	黑色
8				

REV.	REVISION RECORD	DATE	GENERAL TOLERANCES	SCALE:	NAME	DATE	PART.NO:	DWG.NO:	 WanLian Teconology Co., Ltd								
A0	NEW RELEASE	21.01.13	<table border="1"> <tr> <th>LINEAR</th> <th>ANGLES</th> </tr> <tr> <td>0.0±0.35</td> <td>X°REF±6°</td> </tr> <tr> <td>0.00±0.25</td> <td>X°±3°</td> </tr> <tr> <td>0.000±0.10</td> <td>X°X'±2°</td> </tr> </table>	LINEAR	ANGLES	0.0±0.35	X°REF±6°	0.00±0.25		X°±3°	0.000±0.10	X°X'±2°	1:1	Wang_jr	21.01.13	WLSW10-0218AX059	ENDE05
LINEAR	ANGLES																
0.0±0.35	X°REF±6°																
0.00±0.25	X°±3°																
0.000±0.10	X°X'±2°																
				APPROVED	Han_Gao	21.01.13	TITLE:	REV: A0									
				DESIGNER	Zijun_Huang	21.01.13	TACT SWITCH PACKAGE DRAWING	SHEET: 2/2									

WanLian Teconology Co., Ltd

REV: A0 SHEET: 2/2