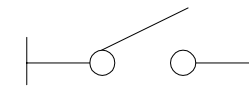
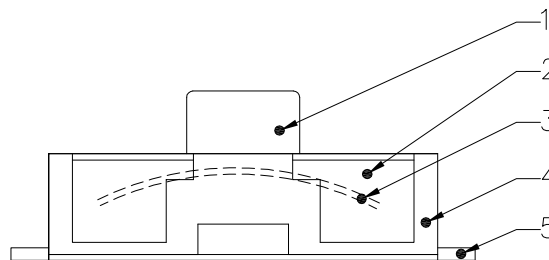
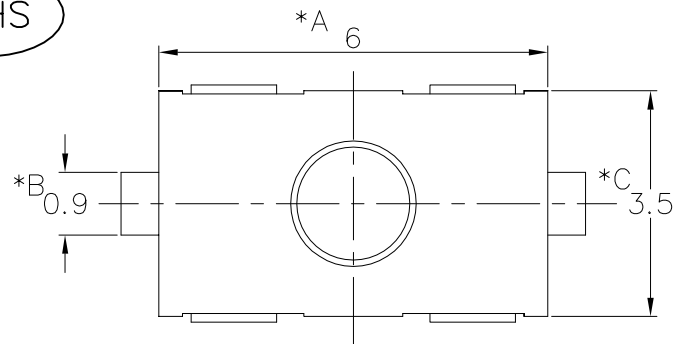
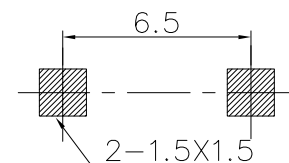


The product using material and processing must conform to the "WI-PZ-001"HSF technical standard control requirements

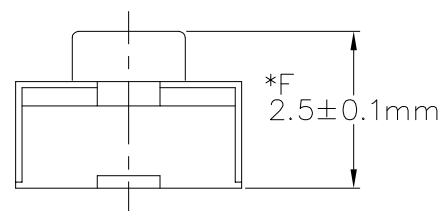
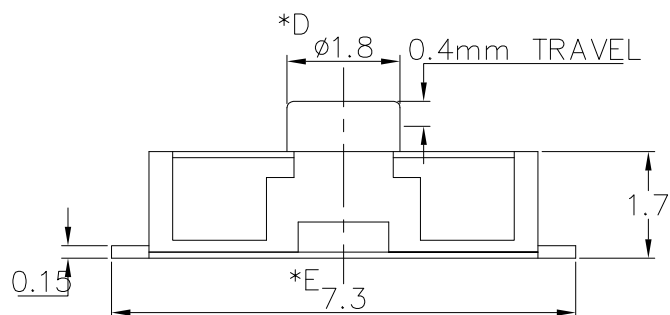
RoHS



SCHEMATIC



P.C.B.LAYOUT



(Shrapnel shape)	■ A	circular(圆)
	□ B	square(方)
(force) F=	■ 3	250 gf
	□ 4	350 gf

PART ORDER:

WLSW10-02 2 X X 0 013

PLATING: 8-Ag COLOUR: A:Black
K:White

* CRITICAL DIMENSION

5	TERMINAL	C2680	2	Ag COATING
4	CASE	PPA	1	WHITE
3	CONTACT	SUS	1	Ag CLAD
2	COVER	SUS	1	NATURAL
1	STEM	RUBBER	1	BLACK
NO.	PART NAME	MATERIAL	QTY	FINISHING

REV.	REVISION RECORD	DATE	☉	GENERAL TOLERANCES		SCALE:	NAME	DATE	PART.NO:	DWG.NO:
A0	NEW RELEASE	21.01.13		LINEAR	ANGLES	1:1				
			UNIT:mm	X'REF±6'		DESIGNER	Ding_bo	21.01.13	TACT SWITCH	REV: A0 SHEET: 1/1
			SIZE: A4	X'X' ±2'		DRAWN	Ou_jian	21.01.13		

