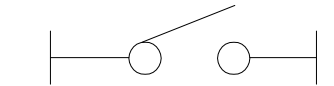
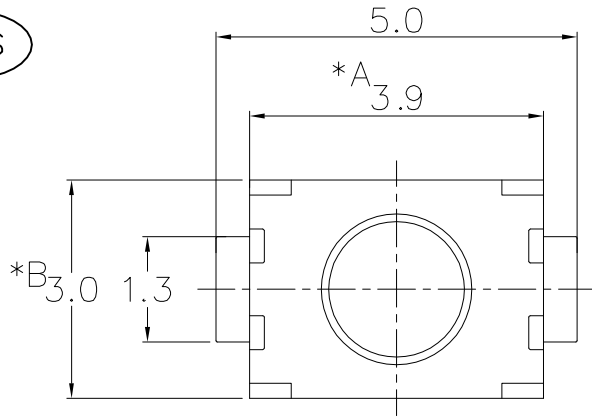
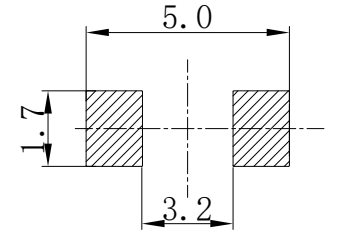


The product using material and processing must conform to the "WI-PZ-001"HSF technical standard control requirements

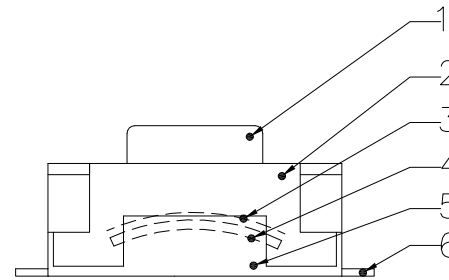
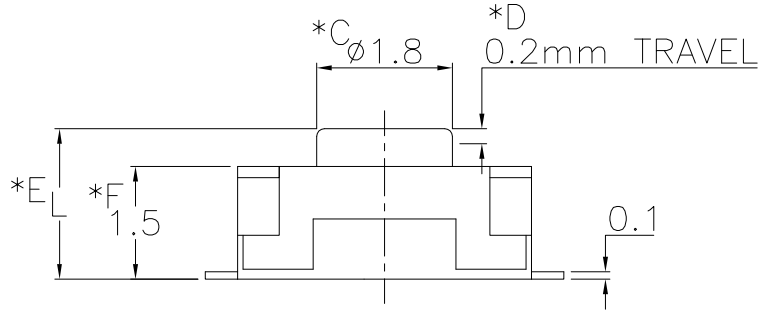
RoHS



SCHEMATIC



P.C.B.LAYOUT



PART ORDER:

WLSW10-02 2 X X 0 015

PLATING: 8-Ag
COLOUR: A:Black, K:White

(height)L=	<input checked="" type="checkbox"/> A	2.0mm
	<input type="checkbox"/> B	2.5mm
	<input type="checkbox"/> C	3.0mm (铜头)

(force) F=	<input checked="" type="checkbox"/> S	160/180gf
	<input type="checkbox"/> H	250gf
	<input type="checkbox"/> G	360gf

STEM COLOR	<input checked="" type="checkbox"/> BLACK
	<input type="checkbox"/> WHITE
CASE COLOR	<input checked="" type="checkbox"/> BLACK
	<input type="checkbox"/> WHITE

CRITICAL DIMENSION

6	TERMINAL	PBS STRIP	2	Ag COATING
5	CASE	LCP	1	BLACK & WHITE
4	CONTACT	SUS	1	Ag CLAD
3	SCREEN	PE	1	YELLOW
2	COVER	SUS	1	NATURAL
1	STEM	PPA/LCP	1	BLACK & WHITE
NO.	PART NAME	MATERIAL	QTY	FINISHING

REV.	REVISION RECORD	DATE	UNIT:mm	GENERAL TOLERANCES		SCALE:	NAME	DATE	PART.NO:	DWG.NO:
A0	NEW RELEASE	21.01.13		LINEAR	ANGLES	1:1				
			0.00±0.25	X'±3'	APPROVED	Wang_jr	21.01.13		WLSW10-022XX0015	ENDE05
			0.00±0.35	X'REF±6'	DESIGNER	Ding_bo	21.01.13			
			0.00±0.10	X'X' ±2'	DRAWN	Ou_jian	21.01.13		TITLE:	
									TACT SWITCH	



REV: A0 SHEET: 1/1