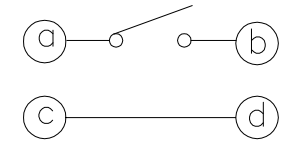
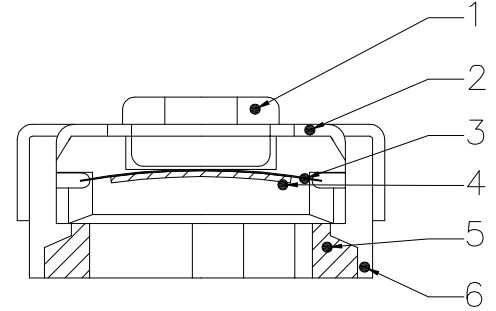
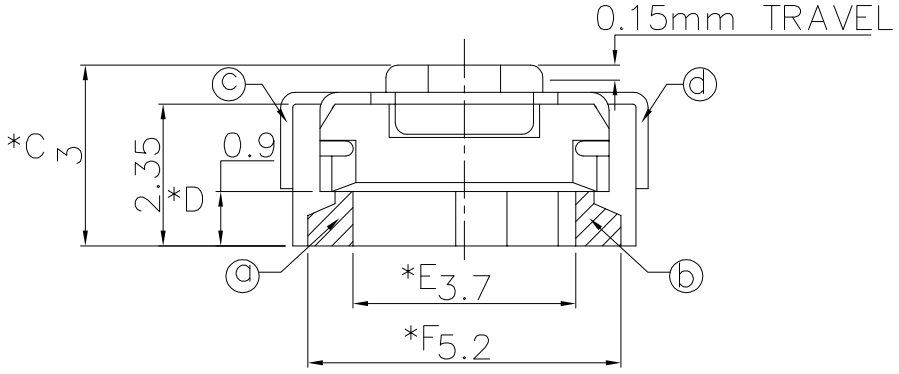
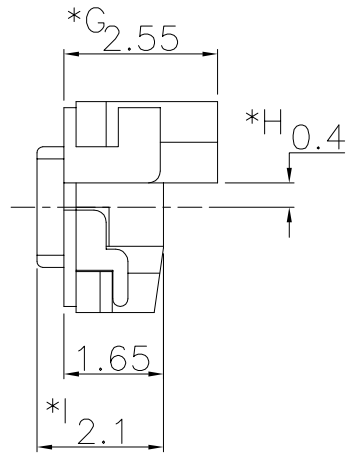
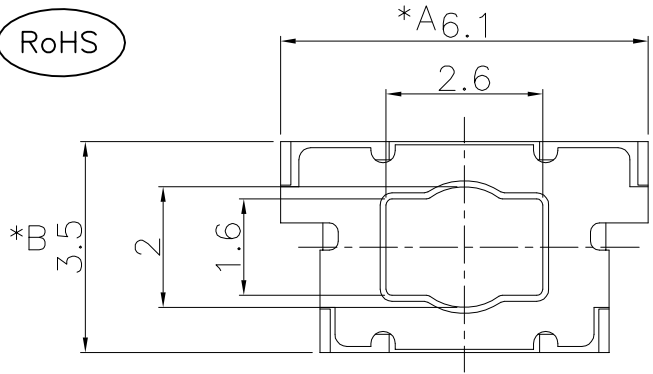
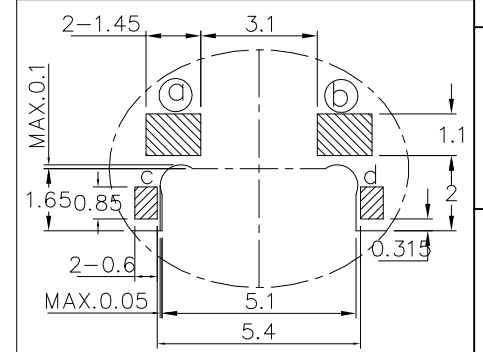


The product using material and processing must conform to the "WI-PZ-001"HSF technical standard control requirements

RoHS



SCHEMATIC



P.C.B.LAYOUT

(force)	□ 2	160 gf
	■ 3	250 gf

6	CASE	LCP	1	BACK
5	TERMINAL	PBS	2	Ag COATING
4	CONTACT	SUS	1	Ag CLAD
3	SCREEN	PET	1	YELLOW
2	COVER	SUS	1	NATURAL
1	STEM	LCP	1	BACK
NO.	PART NAME	MATERIAL	QTY	FINISHING

PART ORDER:  
WLSW10-02 2 X X 0 018

PLATING: 8-Ag      COLOUR:  
A:Black  
K:White

\* CRITICAL DIMENSION

REV.	REVISION RECORD	DATE		GENERAL TOLERANCES		SCALE:	NAME	DATE	PART.NO:	DWG.NO:		
A0	NEW RELEASE	21.01.13		LINEAR	ANGLES	1:1						APPROVED
			UNIT:mm	0.00±0.25	X'±3'	DESIGNER	Ding_bo	21.01.13	TITLE:		REV: A0	SHEET: 1/1
			SIZE: A4	0.000±0.10	X'X' ±2'	DRAWN	Ou_jian	21.01.13	TACT SWITCH			