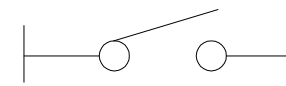
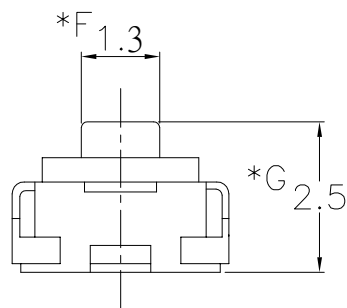
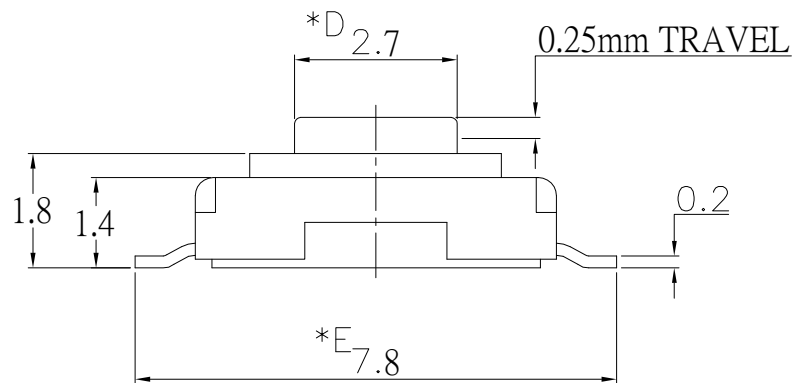
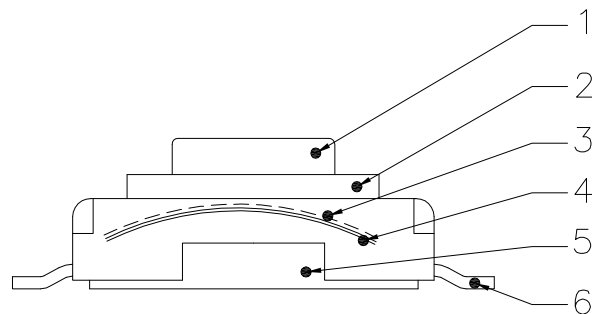
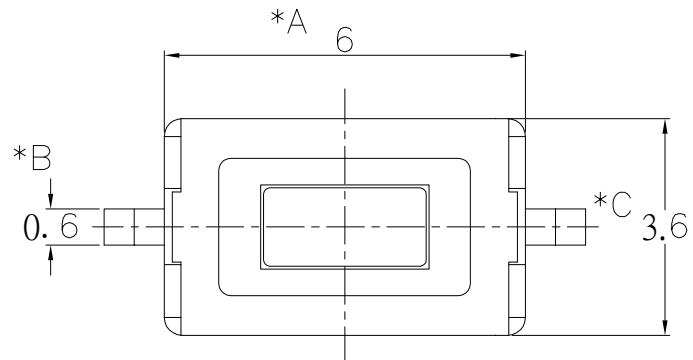
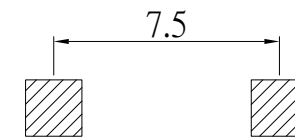


The product using material and processing must conform to the "WI-PZ-142"HSF technical standard control requirements



SCHEMATIC



P.C.B.LAYOUT

CASE COLOR WHITE BLACK

STEM COLOR WHITE BLACK RED

(force) 1 130 gf 2 180 gf 3 250 gf

* CRITICAL DIMENSION

PART ORDER:
WLSW10-02 2 X X 02-039

PLATING: 8-Ag COLOUR: A:Black K:White

NO.	PART NAME	MATERIAL	QTY	FINISHING
7				
6	TERMINAL	PBS	2	Ag COATING
5	CASE	PAA	1	BLACK
4	CONTACT	SUS	1	Ag CLAD
3	SCREEN	PET	1	YELLOW
2	COVER	SUS	1	NATURAL
1	STEM	PPA	1	RED/WHITE

REV.	REVISION RECORD	DATE	GENERAL TOLERANCES	SCALE:	NAME	DATE	PART.NO:	DWG.NO:
A0	NEW RELEASE	21.01.13	LINEAR 0.00±0.25	1:1	Wang_jr	21.01.13	WLSW10-022XX02-039	ENDE05
			ANGLES X'±3'	APPROVED	Ding_bo	21.01.13		
			UNIT:mm 0.00±0.10	DESIGNER	Ou_jian	21.01.13	TITLE: TACT SWITCH	
			SIZE: A4 X'X' ±2'	DRAWN				

万连科技
WanLian Teconology Co., Ltd

REV: A0 SHEET: 1/1